

HONDA A

CD125T • CD185T

FOR REFERENCE

A5
125
185

PARTS CATALOGUE
CATALOGUE DE PIECES
TEILE-KATALOG
CATALOGO DE PIEZAS



E- 1	Cylinder head cover	C 2
E- 2	Cylinder head	C 3
E- 3	Cylinder	C 5
E- 4	Camshaft - Valve	C 6
E- 5	Cam chain - Tensioner	C 8



E- 6	Right crankcase cover	C10
E- 7	Clutch	C11
E- 8	Oil pump	C12
E- 9	Kick starter spindle	C14
E-10	Contact breaker - Advancer	C15
E-11	Left crankcase cover - Generator	C16
E-12	Starting motor	D 3
E-13	Crankcase	D 6



E-14	Crankshaft - Piston	D 7
E-15	Transmission	D11
E-16	Shift drum - Shift fork	D14
E-17	Carburetor (CD125T)	D16
E-17-1	Carburetor (CD185T)	E 1

E- 1	Couvercle de culasse	C 2
E- 2	Culasse	C 3
E- 3	Cylindre	C 5
E- 4	Arbre à cames - Soupape	C 6
E- 5	Chaîne de cames - Tendeur	C 8

E- 6	Couvercle de carter moteur droit	C10
E- 7	Embrayage	C11
E- 8	Pompe à huile	C12
E- 9	Broche de kick de démarrage	C14
E-10	Contacts de rupteur - Avance	C15
E-11	Couvercle de carter moteur gauche - Générateur	C16
E-12	Moteur démarrage	D 3
E-13	Carter moteur	D 6

E-14	Vilebrequin - Piston	D 7
E-15	Transmission	D11
E-16	Tambour de changement de vitesse - Fourchette de changement	D14
E-17	Carbureteur (CD125T)	D16
E-17-1	Carbureteur (CD185T)	E 1

E- 1	Zylinderkopfdeckel	C 2
E- 2	Zylinderkopf	C 3
E- 3	Zylinder	C 5
E- 4	Nockenwelle - Ventil	C 6
E- 5	Steuerkette - Spanner	C 8

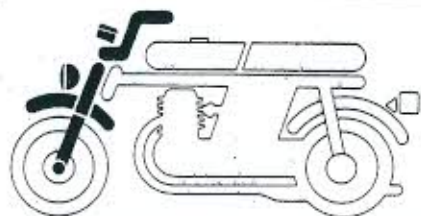
E- 6	Rechter Kurbelgehäusedeckel	C10
E- 7	Kupplung	C11
E- 8	Ölpumpe	C12
E- 9	Kickstarterspindel	C14
E-10	Unterbrecher - Zündversteller	C15
E-11	Linker Kurbelgehäusedeckel - Lichtmaschine	C16
E-12	Anlassermotor	D 3
E-13	Kurbelgehäuse	D 6

E-14	Kurbelwelle - Kolben	D 7
E-15	Getriebe	D11
E-16	Schaltwalze - Schaltgabel	D14
E-17	Vergaser (CD125T)	D16
E-17-1	Vergaser (CD185T)	E 1

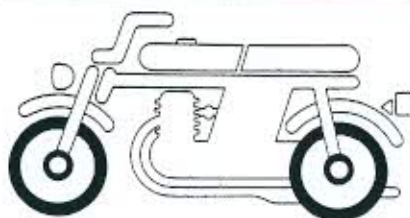
E- 1	Cubierta de culata	C 2
E- 2	Culata	C 3
E- 3	Cilindro	C 5
E- 4	Arbol de levas - Válvula	C 6
E- 5	Cadena de levas - Tensionador	C 8

E- 6	Cubierta de cárter de motor derecha	C10
E- 7	Embrague	C11
E- 8	Bomba de aceite	C12
E- 9	Eje de arranque de pie	C14
E-10	Interruptor de contacto - Avanzador	C15
E-11	Cubierta de cárter de motor izquierdo - Generador	C16
E-12	Motor de arranque	D 3
E-13	Cárter de motor	D 6

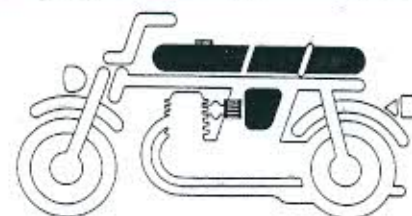
E-14	Cigüeñal - Pistón	D 7
E-15	Transmisión	D11
E-16	Tambor de cambio - Horquilla de cambio	D14
E-17	Carburador (CD125T)	D16
E-17-1	Carburador (CD185T)	E 1



F- 1	Headlight (DK,DM,NR,SA)	G 2
F- 1-1	Headlight (E2,E)	G 4
F- 2	Meter - Key set	G 5
F- 3	Handle lever - Switch - Cable	G 7
F- 4	Handle pipe - Steering stem - Top bridge	G10
F- 5	Front fender	G13
F- 6	Front fork	G14



F- 7	Front brake panel	H 3
F- 8	Front wheel	H 5
F- 9	Rear brake panel	H 7
F-10	Rear wheel	H 9



F-11	Fuel tank - Cock	H12
F-12	Seat - Carrier	H15
F-13	Side cover - Battery	I 1
F-14	Air cleaner	I 4

F- 1	Phare (DK,DM,NR,SA)	G 2
F- 1-1	Phare (E2,E)	G 4
F- 2	Compteurs - Jeu de clés	G 5
F- 3	Levier de poignée - Interrupteur - Câble	G 7
F- 4	Guidon - Tige de direction - Haut de fourche	G10
F- 5	Garde-boue avant	G13
F- 6	Fourche avant	G14

F- 7	Plateau de frein avant	H 3
F- 8	Roue avant	H 5
F- 9	Plateau de frein arrière	H 7
F-10	Roue arrière	H 9

F-11	Réservoir d'essence - Robinet	H12
F-12	Siège - Porte-bagages	H15
F-13	Couvercle latéral - Batterie	I 1
F-14	Filtre à air	I 4

F- 1	Scheinwerfer (DK,DM,NR,SA)	G 2
F- 1-1	Scheinwerfer (E2,E)	G 4
F- 2	Messer - Schloßsatz	G 5
F- 3	Lenkstangenhebel - Schalter - Kabel	G 7
F- 4	Lenkrohr - Steuerkopfschaft - Obere Brücke	G10
F- 5	Vorderer Kotflügel	G13
F- 6	Vordergabel	G14

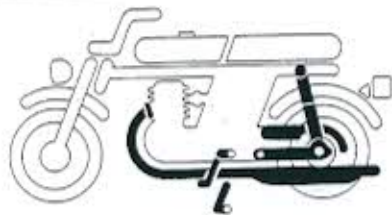
F- 7	Vorderradbremsankerplatte	H 3
F- 8	Vorderrad	H 5
F- 9	Hinterradbremsankerplatte	H 7
F-10	Hinterrad	H 9

F-11	Benzintank - Hahn	H12
F-12	Sitz - Träger	H15
F-13	Seitendeckel - Batterie	I 1
F-14	Luftfilter	I 4

F- 1	Faro delantero (DK,DM,NR,SA)	G 2
F- 1-1	Faro delantero (E2,E)	G 4
F- 2	Medidor - Juego de llaves	G 5
F- 3	Palanca de manubrio - Interruptor - Cable	G 7
	Tubo do manubrio - Varilla de dirección - Puente superior	G10
	Parafango delantero	G13
	Horquilla delantero	G14

F- 7	Panel de freno delantero	H 3
F- 8	Rueda delantera	H 5
F- 9	Panel de freno trasero	H 7
F-10	Rueda trasera	H 9

F-11	Tanque de combustible - Grifo	H12
F-12	Asiento - Portaequipajes	H15
F-13	Cubierta lateral - Batería	I 1
F-14	Limpiador de aire	I 4



F-15	Exhaust muffler	1 7
F-16	Pedal - Kick starter arm	1 9
F-17	Step - Stand	111
F-18	Rear fork	114
F-19	Rear cushion	J 1



F-20	Rear fender (DK,DM,E,NR,SA)	J 4
F-20-1	Rear fender (E2)	J 6
F-21	Winker (DK,DM,NR,SA)	J 8
F-21-1	Winker (E2,E)	J10
F-22	Taillight (DK,DM,NR,SA)	J13
F-22-1	Taillight (E2,E)	J15



F-23	Wire harness - Ignition coil	K 1
F-24	Frame body	K 2
F-25	Tool	K 4

F-15	Pot d'échappement	1 7
F-16	Pédale - Bras de kick de démarrage	1 9
F-17	Repose pieds - Bequille	111
F-18	Fourche arrière	114
F-19	Amortisseur arrière	J 1

F-20	Garde-boue arrière (DK,DM,E,NR,SA)	J 4
F-20-1	Garde-boue arrière (E2)	J 6
F-21	Cilignotant (DK,DM,NR,SA)	J10
F-21-1	Cilignotant (E2,E)	J10
F-22	Feu arrière (DK,DM,NR,SA)	J13
F-22-1	Feu arrière (E2,E)	J15

F-23	Faisceau électrique - Bobine d'allumage	K 1
F-24	Cadre	K 2
F-25	Outils	K 4

F-15	Auspufftopf	1 7
F-16	Pedal - Kickstarterarm	1 9
F-17	Tritt - Ständer	111
F-18	Hintere Schwinge	114
F-19	Hinterer Stoßdämpfer	J 1

F-20	Hinterer Kotflügel (DK,DM,E,NR,SA)	J 4
F-20-1	Hinterer Kotflügel (E2)	J 6
F-21	Blinker (DK,DM,NR,SA)	J 8
F-21-1	Blinker (E2,E)	J10
F-22	Rücklicht (DK,DM,NR,SA)	J13
F-22-1	Rücklicht (E2,E)	J15

F-23	Kabelbaum - Zündspule	K 1
F-24	Rahmen	K 2
F-25	Werkzeug	K 4

F-15	Silenciador	1 7
F-16	Pedal - Brazo de arranque de pie	1 9
F-17	Estribo - Estante	111
F-18	Horquilla trasera	114
F-19	Amortiguador trasero	J 1

F-20	Parafango trasero (DK,DM,E,NR,SA)	J 4
F-20-1	Parafango trasero (E2)	J 6
F-21	Luz intermitente (DK,DM,NR,SA)	J 8
F-21-1	Luz intermitente (E2,E)	J10
F-22	Luz trasera (DK,DM,NR,SA)	J13
F-22-1	Luz trasera (E2,E)	J15

F-23	Equipo de alambre - Bobina de encendido	K 1
F-24	Cuerpo de cuadro	K 2
F-25	Herramientas	K 4



CD185T-E



CD185T-NR

3. Abbreviations

The following abbreviations are used in this parts catalogue.

ASSY. Assembly	KPH Kilometers per hour
COMP. Complete	MPH Miles per hour
R. Right	L (100L) Link (100Links)
L. Left	A.C. Alternating current
STD. Standard	D.C. Direct current
MM Millimeter	IN. Inlet
G. Gram	EX. Exhaust
T (22T) Tooth (22Teeth)	FR. Front
A. Ampere	RR. Rear
V. Volt	HEX. Hexagonal
W Watt	

4. Dimensions

All dimensions are given in millimeters (mm) except in the case of steel balls, tires and tire tubes.

Parts	Example	Interpretation
Bolt (Screw)	6×12	6mm diameter, 12mm length
Pin	8×14	8mm diameter, 14mm length
O-Ring	9.5×1.6	9.5mm diameter, 1.6mm thickness
Oil seal	14×24×5	14mm inside diameter, 24mm outside diameter, 5mm thickness
Tube	5×130	5mm inside diameter, 130mm length

5. Supersedence of parts

Part numbers given under the part name in the "Description" column indicate that the part number has been superseded by that part number. HONDA may make such supersedence without notice.

6. Assemblies

Sections framed with broken lines in the exploded view drawings are available as complete assemblies. (Their individual parts can also be obtained.)

7. Required quantity

The number given in the "Reqd. No." column indicates the quantity of parts used in the section described in that block.

Parts with quantities in () represent optional parts.

Part whose required number is "N", is part whose required number can be selected at need.

8. Part modifications and applicable serial numbers

In cases where a part has been modified, the serial number of the first vehicle (or frame, engine, carburetor) bearing the modification is listed in the "Serial No." column.

9. Models, area codes and applicable serial numbers

Models, area codes and applicable serial Nos. given in this parts catalogue can be identified as follows.

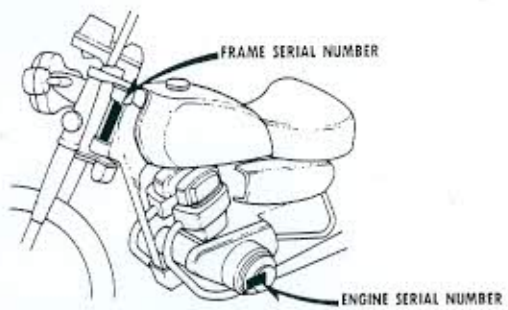
Parts with area codes are exclusive for models destined for countries designated.

If no area codes are listed, parts are for common use.

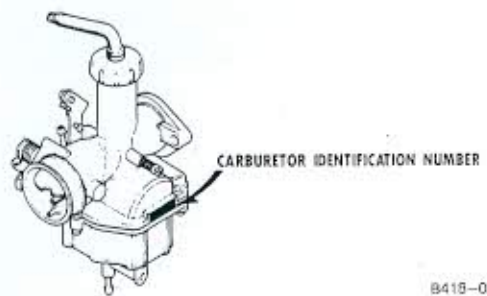
Model	Area code	Type	Applicable engine serial No.	Applicable frame serial No.	Applicable carburetor identification No.
CD125T	DK	General export (KPH)	These types are not yet produced.		
	DM	General export (MPH)			
CD185T	E	England	CD185TE-2000007 ~ 2000030	CD185T-2000002 ~ 2000028	PD98B <u>A</u>
	E2	England	CD185TE-2070721 ~	CD185T-2070219 ~	
	DK	General export (KPH)	CD185TE-2004761 ~	CD185T-2004759 ~	
	DM	General export (MPH)	CD185TE-2026630 ~	CD185T-2026629 ~	
	NR	Nigeria	CD185TE-2000002 ~	CD185T-2000005 ~	PD99A <u>A</u>
	SA	South africa	CD185TE-2087307 ~	CD185T-2085985 ~	PD98B <u>A</u>

* Of carburetor identification numbers, only the portions underlined in the example below are used for registration.

10. Location of stamped serial number



B402-0A



B415-0A

III. How to use the flat rate time (F.R.T.)

This F.R.T. (Flat Rate Time) is used to determine the standard labor time allowed for replacement of parts covered by the warranty during the period the warranty is in effect. The F.R.T. for those parts which are not listed herein should be determined from the operation closely related to the replacement of that part.

1. The F.R.T. is based on the following servicing conditions.

- A liberal allowance is added to the net servicing time.
- Standard times specified are based on the condition that the necessary servicing tools listed in the service manual (motorcycle) which describes the HONDA service policy are available close at hand and the work performed by a mechanic with normal skill.
- Time required for inspection and operational test following the servicing is included in the F.R.T.

2. Method of computing

The job times are listed in tenth of an hour to simplify computation.

(Example) 0.3 = 18 minutes

5.6 = 5 hours and 36 minutes

CONVERSION CHART			
Hours	Minutes	Hours	Minutes
0.1	6	0.6	36
0.2	12	0.7	42
0.3	18	0.8	48
0.4	24	0.9	54
0.5	30	1.0	60

3. Computing the F.R.T.

When several jobs are performed at the same time, make the calculation in the following manner.

a. Jobs of non duplicated nature

The F.R.T. for the job is obtained by totalling the F.R.T. for each part replaced.

(Example) Replacement of cylinder and clutch spring.

Service item	F.R.T.
Cylinder	*3.2
Clutch spring	0.7

The F.R.T. for the job is : $3.2 + 0.7 = 3.9$

b. Jobs of duplicated nature

Take the F.R.T. for the last part to be replaced.

(Example) Replacement of piston and cylinder head gasket.

Service item	F.R.T.
Cylinder head gasket	*2.8
Piston	*3.3

The F.R.T. for the job is : 3.3

c. Jobs of partially related nature

Total up the F.R.T. for all of the parts replaced and then subtract the F.R.T. for the duplicated operation.

(Example) Replacement of gear shift drum and crankshaft assembly.

Service item	F.R.T.
Gear shift drum	*4.5
Crankshaft	*5.2
Crankcase disassembly	*4.3

The F.R.T. for the job is : $(4.5 + 5.2) - 4.3 = 5.4$

Crankcase disassembly is the duplicated operations.

● The F.R.T. shown with (*) includes engine removal and installation.

4. Operations other than replacing parts.

a. Removal and installation

No.	Service item	F.R.T.
1	Engine	2.0
2	Cylinder head	*2.8
3	Carburetor	0.4

b. Adjustment, measurement and cleaning

Engine

No.	Service item	F.R.T.
1	Point-adjustment (including ignition timing adjustment)	0.2
2	Ignition timing-adjustment	0.2
3	Spark plug-adjustment and cleaning	0.2
4	Tappet adjustment	0.4
5	Carburetor idle-adjustment	0.1
6	Engine oil-inspection (excluding oil change)	0.1
7	Clutch-adjustment	0.2
8	Cleaner element-cleaning	0.1
9	Compression-pressure measurement	0.2
10	Battery-checking of electrolyte level and gravity	0.2
11	Carburetor-float level measurement	0.5
12	Oil filter cleaning	0.6
13	Throttle operation-adjustment	0.1

Frame

No.	Service item	F.R.T.
1	Front brake-adjustment	0.1
2	Rear brake-adjustment	0.1
3	Brake-operation test	0.1
4	Headlight-aimings	0.2
5	Drive chain (includes tension adjustment however, does not include sprocket)	0.1

c. Overhaul

No.	Service item	F.R.T.
1	Carburetor	0.7

● This parts catalogue is compiled as of October 10, 1978.

April 10, 1977
HONDA MOTOR CO., LTD.

C 2

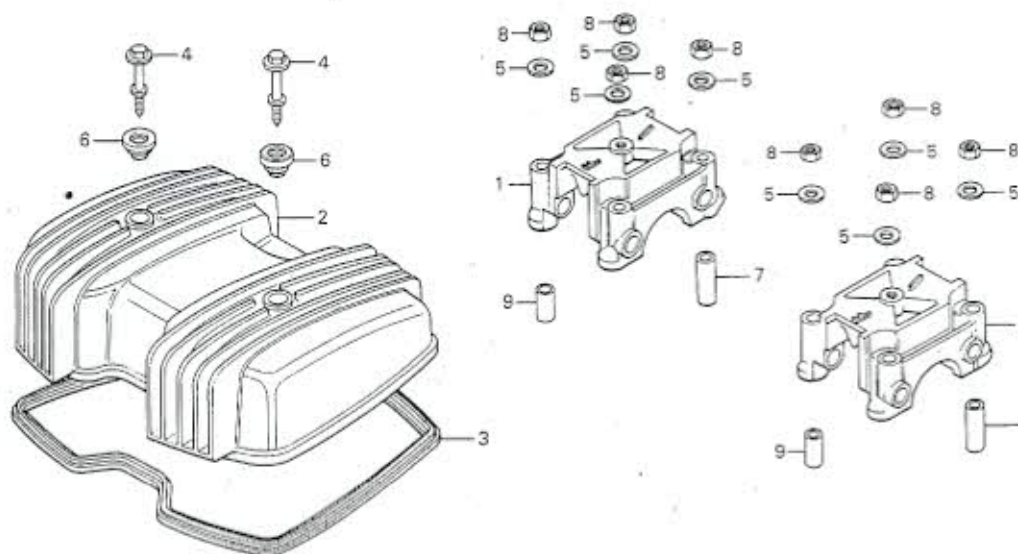
E-1

Cylinder head cover

Couvercle de culasse

Zylinderkopfdeckel

Cubierta de culata



8399-1

Service item	F.R.T.	Ref. No.	Part No.	Description	Reqd. No. CD CD 125T 185T	Serial No.	Area code
HOLDER, CAMSHAFT (ADD 0.2 FOR EACH.) COVER, CYLINDER HEAD	0.4	1	12231-399-000	HOLDER, CAMSHAFT	2 2		
		2	12311-399-000	COVER, CYLINDER HEAD	1 1		
PACKING, HEAD COVER	0.2	3	12391-399-000	PACKING, HEAD COVER	1 1		
.PACKING, HEAD COVER		4	90036-399-003	BOLT, SPECIAL, 6X38	2 2		
		5	90483-028-000	WASHER, 8MM	8 8		
		6	90541-371-000	RUBBER, MOUNT	2 2		
		7	90701-399-000	PIN, DOWEL, 10X28	2 2		
		8	94001-08000-05	NUT, HEX., 8MM	8 8		
		9	94301-10160	PIN A, DOWEL, 10X16	2 2		

C 3

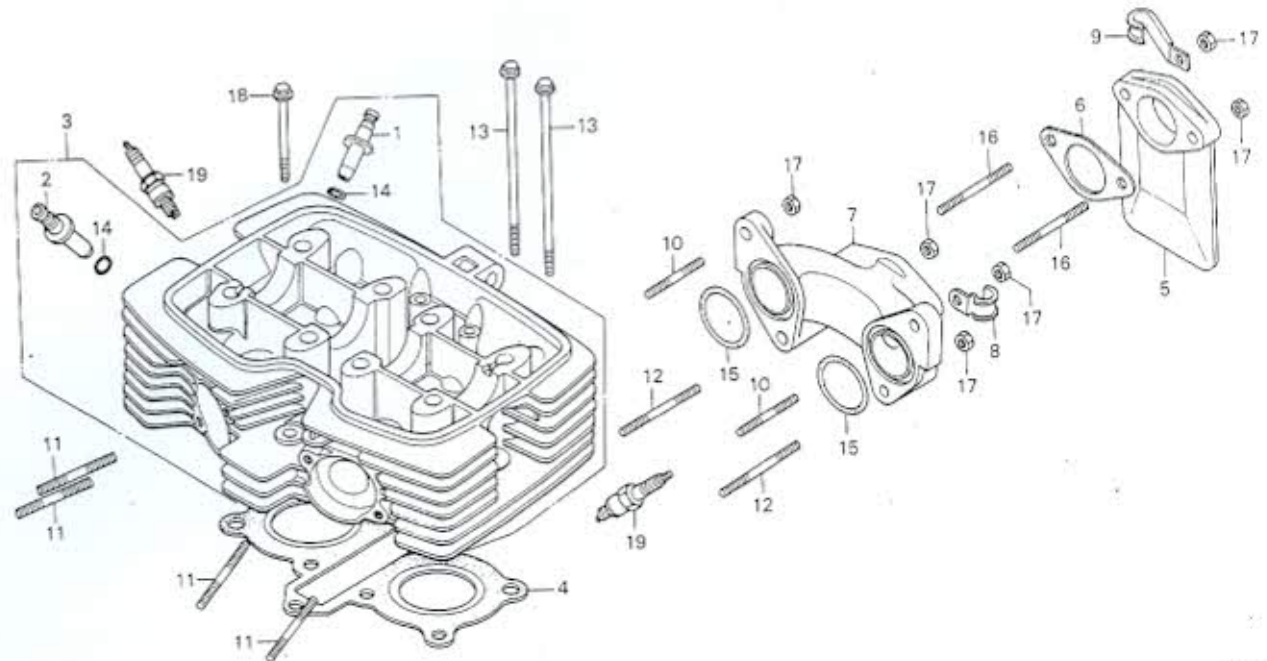
E-2

Cylinder head

Culasse

Zylinderkopf

Culata



8402-1

Service item	F.R.T.	Ref. No.	Part No.	Description	Reqd. No.		Serial No.	Area code
					CD 125T	CD 185T		
GUIDE, VALVE (INC. REAMING) (ADD 0.2 FOR EACH.) (EXC. VALVE REFACING) (ADD MORE 0.2 IF PERFORMED.) HEAD COMP., CYLINDER GASKET, CYLINDER HEAD INSULATOR, CARBURETOR BOLT, STUD, 6X45 (ADD 0.1 FOR EACH.) (MUFFLER SIDE) MANIFOLD, INTAKE BOLT, STUD, 6X32 (ADD 0.1 FOR EACH.) BOLT, STUD, 6X50 (ADD 0.1 FOR EACH.) BOLT, STUD, 6X45 (ADD 0.1 FOR EACH.) (MANIFOLD SIDE) PLUG, SPARK (ONE OR ALL)	*3.2	1	12021-149-300	GUIDE, IN. VALVE	2	2	2083365	
	2	12023-116-300	GUIDE, EX. VALVE	2	2			
	3	12200-399-000	HEAD COMP., CYLINDER	1	1			
	4	12200-418-000	HEAD COMP., CYLINDER	1	1			
		12251-399-013	GASKET, CYLINDER HEAD (ISHINO)	1	1			
	*4.3	5	12251-418-000	GASKET, CYLINDER HEAD	1	1		
	*2.8	6	16212-402-000	INSULATOR, CARBURETOR	1	1		
	0.3	7	16229-402-000	GASKET, CARBURETOR INSULATOR	1	1		
	0.7	8	17111-402-000	MANIFOLD, INTAKE	1	1		
	0.6	9	32906-402-000	CLIP, HIGH TENSION CORD	1	1		
			32906-402-010	CLIP, HIGH TENSION CORD	1	1		
			32907-402-000	CLIP, HIGH TENSION CORD	1	1		
		90033-399-000	BOLT, STUD, 6X32	2	2			
0.4	10	90034-399-000	BOLT, STUD, 6X45	4	4			
		90034-402-000	BOLT, STUD, 6X50	2	2			

C 4

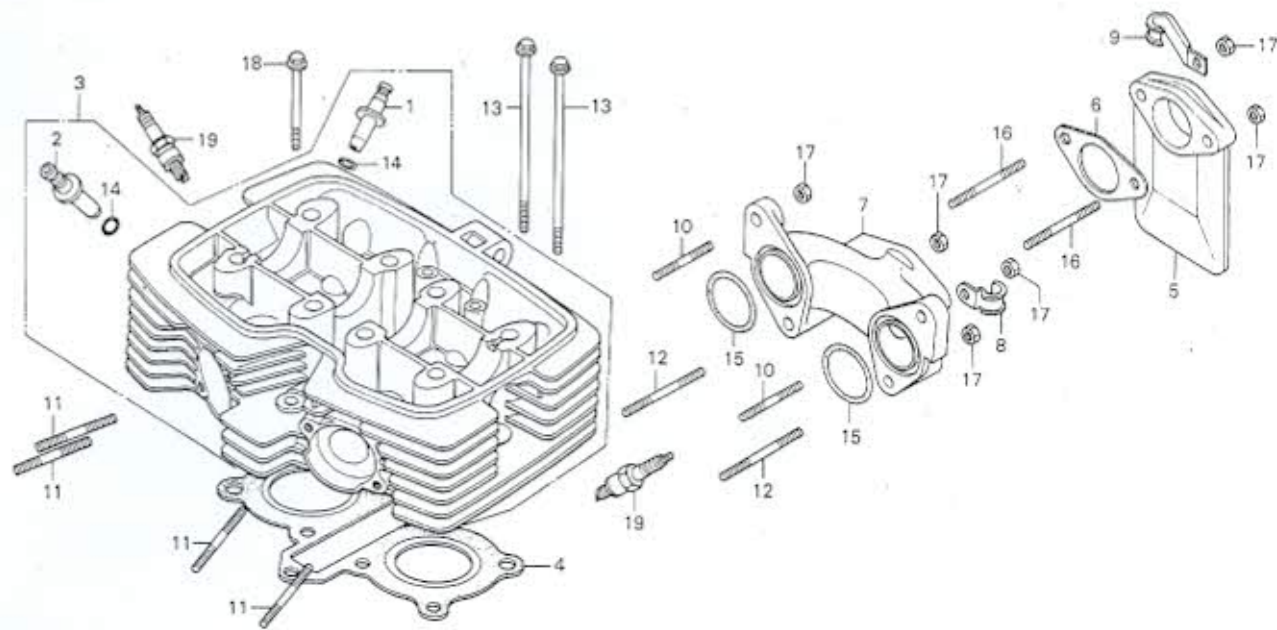
E-2

Cylinder head

Culasse

Zylinderkopf

Culata



B402-1

Service item	F.R.T.	Ref. No.	Part No.	Description	Reqd. No.		Serial No.	Area code
					CD	125T 185T		
		13	90048-329-000	BOLT, FLANGE, 6X131	2			
		13	90048-399-000	BOLT, FLANGE, 6X134	2		2079816	
		14	91301-200-000	O-RING, 10X1.6	4	4	2079817	
		15	91301-805-000	O-RING, 26X2.7	2	2		
		16	92700-06045	BOLT, STUD, 6X45	2	2		
		17	94001-06000	NUT, HEX., 6MM	6	6		
		18	95700-06065-00	BOLT, FLANGE, 6X65	1	1		
		19	98056-57711	PLUG, SPARK (C-7HS NGK)	2	2		DK, DM, NR, SA
			98056-57716	PLUG, SPARK (CR7HS NGK)	2	2		E2, E
			98056-57722	PLUG, SPARK (U22FS ND)	2	2		DK, DM, NR, SA
			98056-57726	PLUG, SPARK (U22FSR-L ND)	2	2		E2, E

1978.10.10

C4

C 5

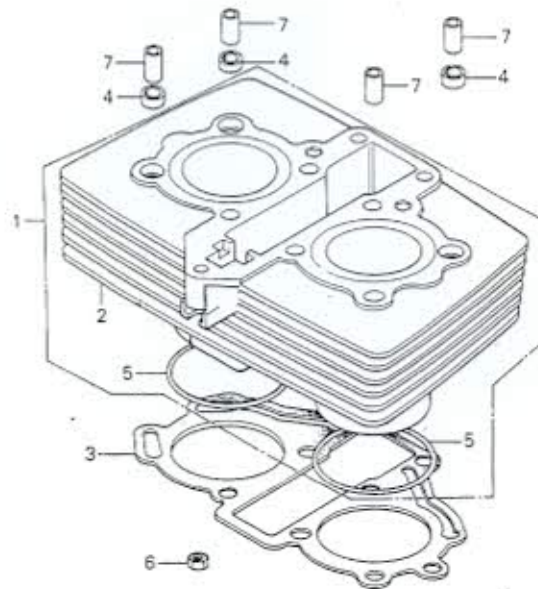
E-3

Cylinder

Cylindre

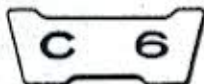
Zylinder

Cilindro



B399-3

Service item	F.R.T.	Ref. No.	Part No.	Description	Reqd. No.		Serial No.	Area code
					CD	CD		
CYLINDER COMP. GASKET, CYLINDER	*3.2	1	12100-399-000	CYLINDER COMP.	1			
		2	12100-418-010	CYLINDER COMP.	1	1		
		3	12191-399-000	GASKET, CYLINDER	1	1		
			12191-418-000	GASKET, CYLINDER				
		4	12261-105-690	GASKET, CYLINDER STUD	3	3		
		5	91302-303-000	O-RING, 46X2	2			
		6	94001-06000	NUT, HEX., 6MM	1	1		
7	94301-10160	PIN A, DOWEL, 10X16	4	4				



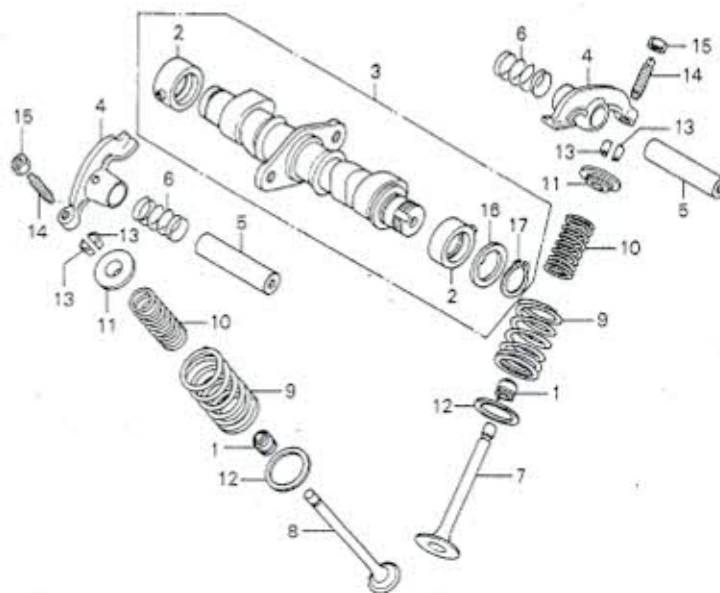
E-4

Camshaft • Valve

Arbre à cames • Soupape

Nockenwelle • Ventil

Arbol de levas • Válvula



B399-4

Service Item	F.R.T.	Ref. No.	Part No.	Description	Reqd. No. CD 125T 185T	Serial No.	Area code
CAMSHAFT ASSY.	0.8	1	12209-107-760	SEAL, VALVE STEM	4 4		
ARM, VALVE ROCKER	0.4	2	12234-399-010	BUSH COMP., CAMSHAFT	2 2		
INC. RELATIVE PART		3	14100-402-305	CAMSHAFT ASSY.	1		
(WHEN SERVICING COMP., UNIT,			14100-418-305	CAMSHAFT ASSY.	1	2005564	DK,DM,E,NR,SA
F.R.T. IS 0.6.)			14100-419-305	CAMSHAFT ASSY.	1	2005565	
VALVE,	*2.9	4	14431-116-000	ARM, VALVE ROCKER	4 4		
(ADD 0.2 FOR EACH.)		5	14451-399-000	SHAFT, ROCKER ARM	4 4		
(INC. REFACING)							
SPRING, VALVE OUTER	*2.8	6	14461-399-000	SPRING, ROCKER ARM SIDE	4 4		
INC. RELATIVE PART		7	14711-399-000	VALVE, IN.	2 2		
(ADD 0.1 FOR EACH.)		8	14721-116-000	VALVE, EX.	2 2		
		9	14751-399-005	SPRING, VALVE OUTER	4 4		
				(NIPPON HATSUJO)			
		10	14761-399-005	SPRING, VALVE INNER	4 4		
				(NIPPON HATSUJO)			
		11	14771-107-020	RETAINER, VALVE SPRING	4 4		
		12	14775-107-000	SEAT, VALVE SPRING OUTER	4 4		
		13	14781-107-020	COTTER, VALVE	8 8		

1978.10.10

C6

C 7

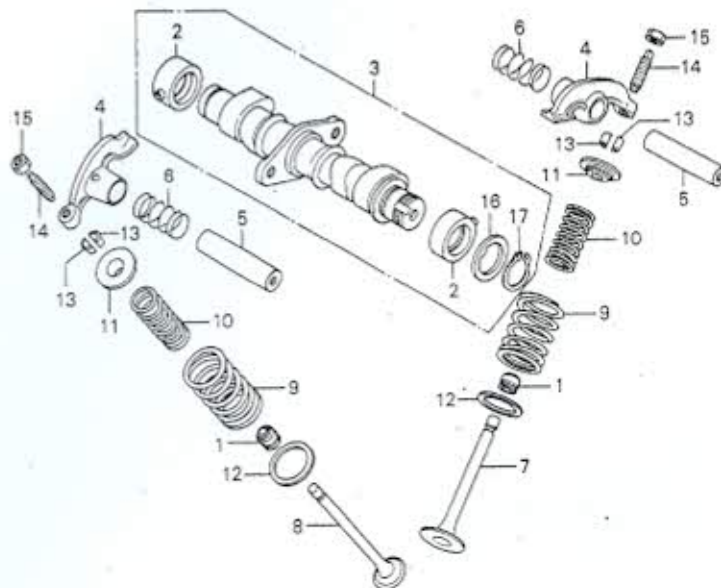
E-4

Camshaft • Valve

Arber à cames • Soupape

Nockenwelle • Ventil

Arbol de levas • Válvula



B309-4

Service item	F.R.T.	Ref. No.	Part No.	Description	Reqd. No.		Serial No.	Area code
					CD 125T	CD 185T		
		14	90012-333-000	SCREW, TAPPET ADJUSTING	4	4		
		15	90206-001-000	NUT, TAPPET ADJUSTING	4	4		
		16	90402-399-000	WASHER, THRUST, 20MM	1	1		
		17	94510-20000	CIR CLIP, EXTERNAL, 20	1	1		

1978.10.10

C7

C 8

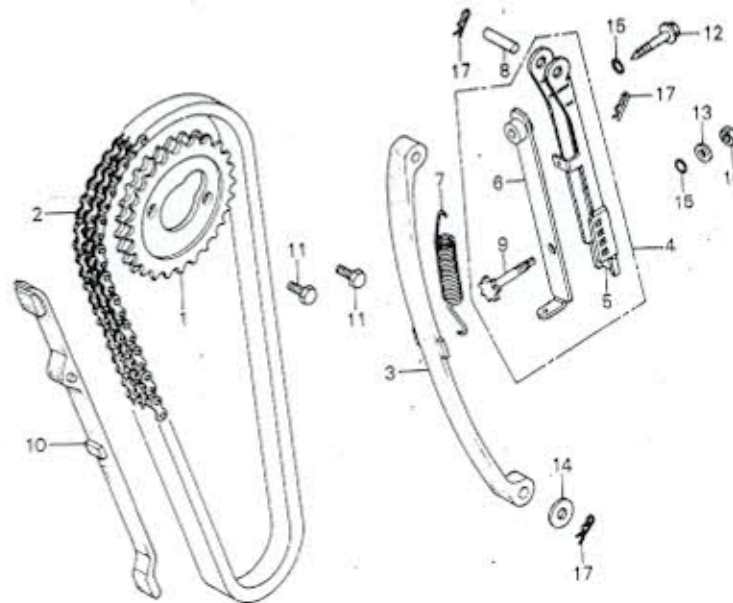
E-5

Cam chain • Tensioner

Chaîne de cames • Tendeur

Steuerkette • Spanner

Cadena de levas • Tensionador



B399-5A

Service item	F.R.T.	Ref. No.	Part No.	Description	Reqd. No. CD CD 125T 185T	Serial No.	Area code
SPROCKET, CAM	0.8	1	14321-399-000	SPROCKET, CAM (38T)	1		
CHAIN, CAM	*4.9	2	14401-399-003	CHAIN, CAM (D1025T-2-94L) (DA100)	1		
TENSIONER, CAM CHAIN		3	14500-399-000	TENSIONER, CAM CHAIN	1		
BASE COMP., CAM CHAIN	*3.2	4	14510-399-000	BASE COMP., CAM CHAIN	1		
TENSIONER	*2.8			TENSIONER	1		
GUIDE, CAM CHAIN			14510-399-010	BASE ASSY., CAM CHAIN	1	2070121	2070120
				TENSIONER	1	2070121	
		5	14511-399-310	BASE, CAM CHAIN TENSIONER	1	2070121	
		6	14513-399-300	PLATE COMP. B, CAM CHAIN	1	2070121	
				TENSIONER	1		
		7	14515-399-000	SPRING, CAM CHAIN TENSIONER	1	1	
		8	14518-399-000	PIN B, TENSIONER SETTING	1	1	
		9	14538-399-300	ADJUSTER, CAM CHAIN TENSIONER	1	2070121	
		10	14550-399-000	GUIDE, CAM CHAIN	1	1	

1578.10.10

C8

C 9

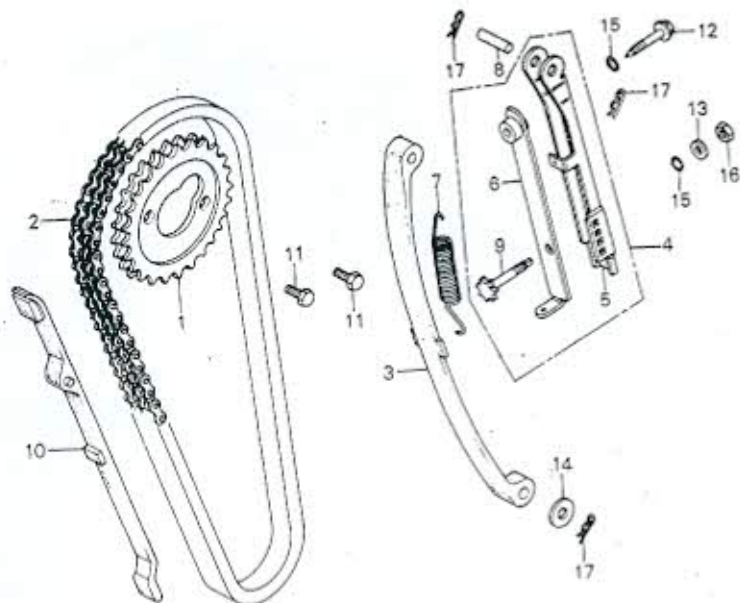
E-5

Cam chain • Tensioner

Chaîne de cames • Tendeur

Steuerkette • Spanner

Cadena de levas • Tensionador



8309-5A

Service item	F.R.T.	Ref. No.	Part No.	Description	Reqd. No.		Serial No.	Area code
					CD	CD		
		11	90081-246-000	BOLT, KNOCK, 7X12	2	2		
		12	90125-399-000	BOLT, SPECIAL, 6X28	1	1		
		13	90442-035-000	WASHER, SEALING, 6MM	1	1		
		14	90486-028-000	WASHER, SPARK ADVANCER SETTING	1	1		
		15	91305-323-000	O-RING, 5.8X1.9	2	2		
		16	94001-06000	NUT, HEX., 6MM	1	1		
		17	94251-06000	PIN, LOCK, 6MM	3	3		

1978.10.10

C9

C 10

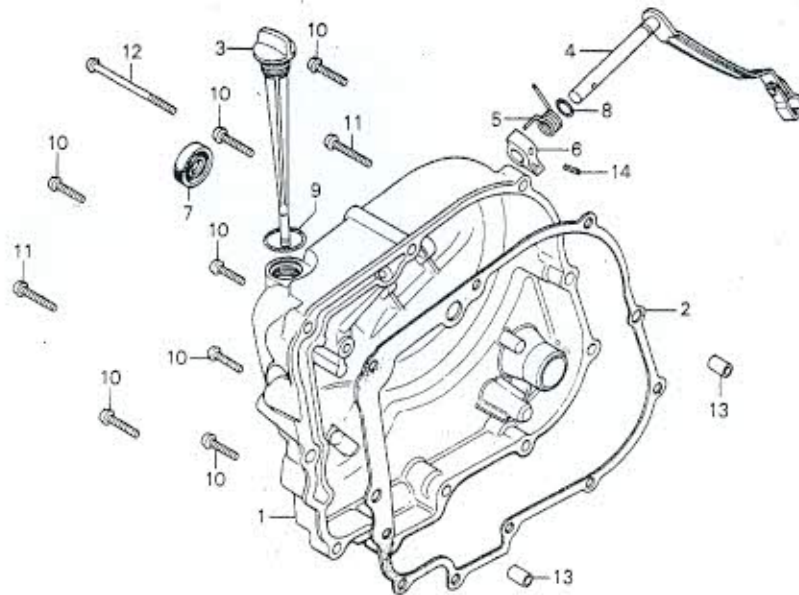
E-6

Right crankcase cover

**Couvercle de carter
moteur droit**

Rechter Kurbelgehäusedeckel

**Cubierta de cárter motor
derecha**



8402-2

Service item	F.R.T.	Ref. No.	Part No.	Description	Reqd. No.		Serial No.	Area code
					CD	CD		
					125T	185T		
COVER, R. CRANKCASE	0.8	1	11330-402-000	COVER, R. CRANKCASE	1	1		
GASKET, R. CRANKCASE COVER	0.6	2	11393-399-000	GASKET, R. CRANKCASE COVER	1	1		
LEVER COMP., CLUTCH	0.7	3	15650-399-000	GAUGE, OIL LEVEL	1	1		
INC. RELATIVE PART		4	22810-399-000	LEVER COMP., CLUTCH	1	1		
OIL SEAL, 18X25X7		5	22816-399-000	SPRING, CLUTCH LEVER	1	1		
		6	22821-399-000	CAM, CLUTCH LIFTER	1	1		
		7	91204-286-003	OIL SEAL, 18X29X7	1	1		
		8	91301-027-000	O-RING, 6.8X1.9	1	1		
		9	91307-035-000	O-RING, 18X3	1	1		
		10	93500-06028	SCREW, PAN, 6X28	7	7		
		11	93500-06035	SCREW, PAN, 6X35	2	2		
		12	93500-06070	SCREW, PAN, 6X70	1	1		
		13	94301-08140	PIN A, DOWEL, 8X14	2	2		
		14	94305-40162	PIN, SPRING, 4X16	1	1		
			(94305-40162) 1/6					

C 11

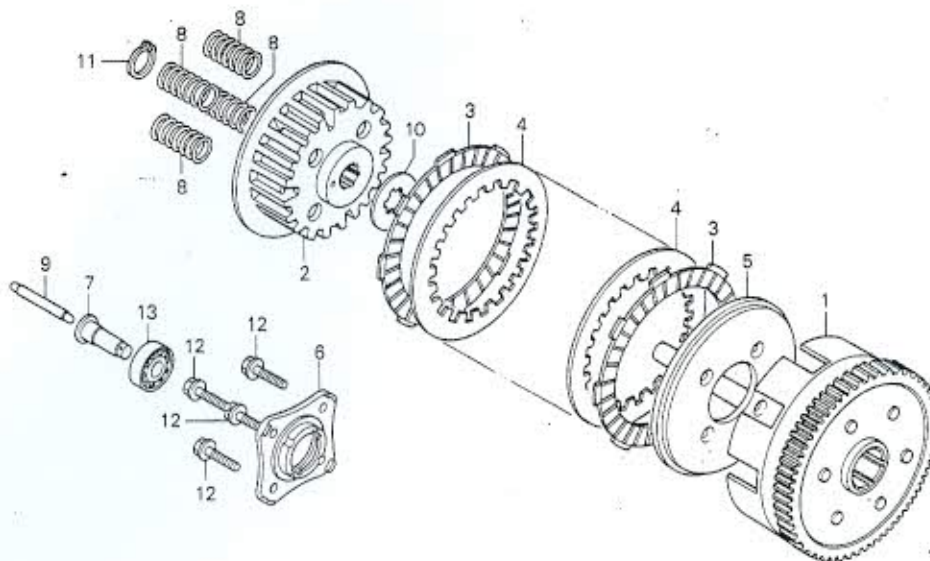
E-7

Clutch

Embrayage

Kupplung

Embrague



B309-7

Service item	F.R.T.	Ref. No.	Part No.	Description	Reqd. No.		Serial No.	Area code
					CD 125T	CD 165T		
OUTER COMP., CLUTCH INC. RELATIVE PART	0.8	1	22100-399-000	OUTER COMP., CLUTCH	1	1		
		2	22121-399-000	CENTER, CLUTCH	1	1		
CENTER, CLUTCH	0.7	3	22201-107-000	DISK, CLUTCH FRICTION	5	5		
PLATE, CLUTCH LIFTER		4	22311-107-000	PLATE, CLUTCH	4	4		
SPRING, CLUTCH (ONE OR ALL)		5	22350-107-000	PLATE, CLUTCH PRESSURE	1	1		
PIN, CLUTCH LIFTER GUIDE	0.6	6	22361-107-000	PLATE, CLUTCH LIFTER	1	1		
		7	22366-399-000	PIN, CLUTCH LIFTER GUIDE	1	1		
		8	22401-418-000	SPRING, CLUTCH	4	4		
		9	22850-355-000	ROD, CLUTCH LIFTER	1	1		
		10	90461-107-000	WASHER B, SPLINE, 20MM	1	1		
		11	94510-20000	CIR CLIP, EXTERNAL, 20	1	1		
		12	95700-06020-00	BOLT, FLANGE, 6X20	4	4		
		13	96100-60010	BEARING, RADIAL BALL, 6001	1	1		

C 12

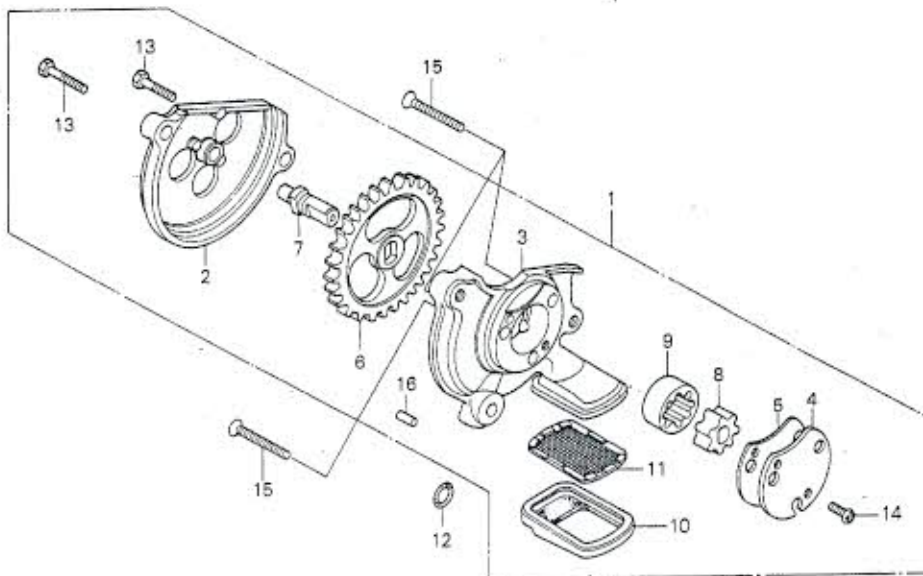
E-8

Oil pump

Pompe à huile

Öpumpe

Bomba de aceite



8402-3

Service item	F.R.T.	Ref. No.	Part No.	Description	Reqd. No.		Serial No.	Area code
					CD	CD		
PUMP ASSY., OIL	0.7	1	15100-402-000	PUMP ASSY., OIL (YAMADA)	1	1		
INC. RELATIVE PART		2	15106-402-000	COVER, OIL PUMP GEAR	1	1		
SCREEN, OIL FILTER	0.6	3	15111-399-000	BODY COMP., OIL PUMP (YAMADA)	1	1		
		4	15121-399-000	PLATE, OIL PUMP (YAMADA)	1	1		
		5	15126-399-000	GASKET, OIL PUMP (YAMADA)	1	1		
		6	15131-399-000	GEAR A, OIL PUMP DRIVE (42T) (YAMADA)	1	1		
		7	15136-383-000	SHAFT, OIL PUMP	1	1		
		8	15331-399-000	ROTOR, OIL PUMP INNER (YAMADA)	1	1		
		9	15332-399-000	ROTOR, OIL PUMP OUTER (YAMADA)	1	1		
		10	15421-399-000	HOLDER, SCREEN	1	1		
		11	15422-399-000	SCREEN, OIL FILTER	1	1		

1978.10.10

C12

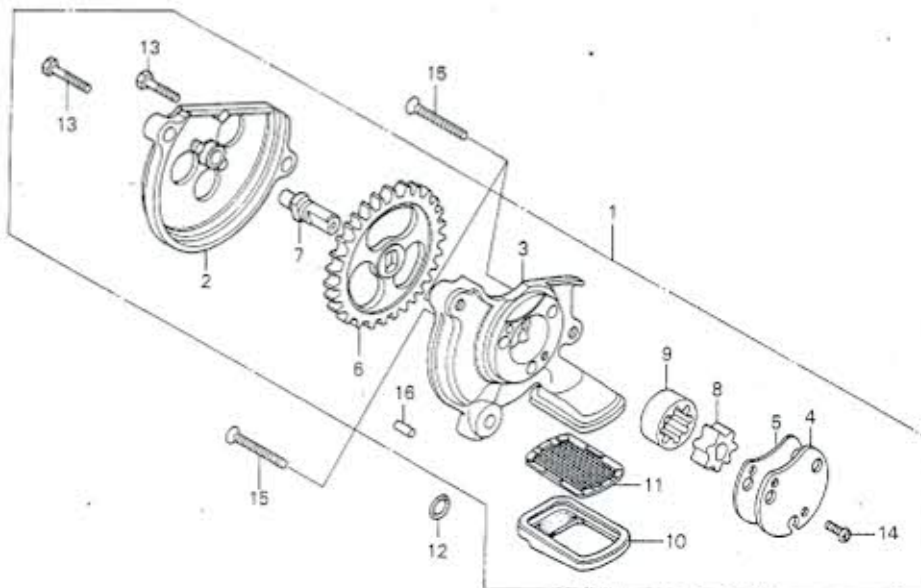
C 13**E-8**

Oil pump

Pompe à huile

Ölpumpe

Bomba de aceite



B402-3

Service item	F.R.T.	Ref. No.	Part No.	Description	Reqd. No.		Serial No.	Area code
					CD	CD		
		12	91319-323-000	O-RING, 6X3	1	1		
		13	92000-05020-0A	BOLT, HEX., 5X20	2	2		
		14	93500-05010-0A	SCREW, PAN, 5X10	1	1		
		15	93600-06032	SCREW, FLAT, 6X32	3	3		
		16	94303-04065	PIN C, DDNEL, 4X6,5	1	1		

1978.10.10

C13

C 14

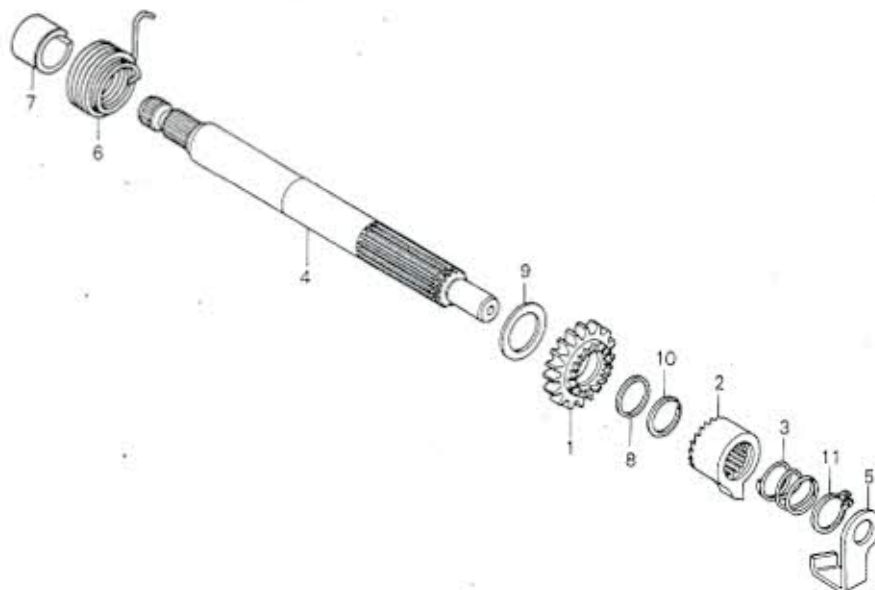
E-9

Kich starter spindle

Broche de kick de démarrage

Kickstarterspindel

Eje de arranque de pie



B402-4

Service item	F.R.T.	Ref. No.	Part No.	Description	Reqd. No.		Serial No.	Area code
					CD	CD		
SPINDLE, KICK STARTER INC. RELATIVE PART SPRING, KICK STARTER	0.8	1	28211-402-000	PINION, KICK STARTER	1	1		
		2	28221-402-010	RATCHET, STARTER DRIVE	1	1		
	0.7	3	28223-149-000	SPRING, RATCHET	1	1		
		4	28251-402-010	SPINDLE, KICK STARTER	1	1		
	5	28259-399-000	PLATE, RATCHET GUIDE	1	1			
	6	28281-149-000	SPRING, KICK STARTER	1	1			
	7	28282-402-000	COLLAR, KICK STARTER	1	1			
	8	90401-149-000	WASHER, 18MM	1	1			
	9	90452-701-000	WASHER, THRUST, 18MM	1	1			
	10	90601-149-000	CIR CLIP, 18MM	1	1			
	11	94510-18000	CIR CLIP, EXTERNAL, 18	1	1			

1578.10.10

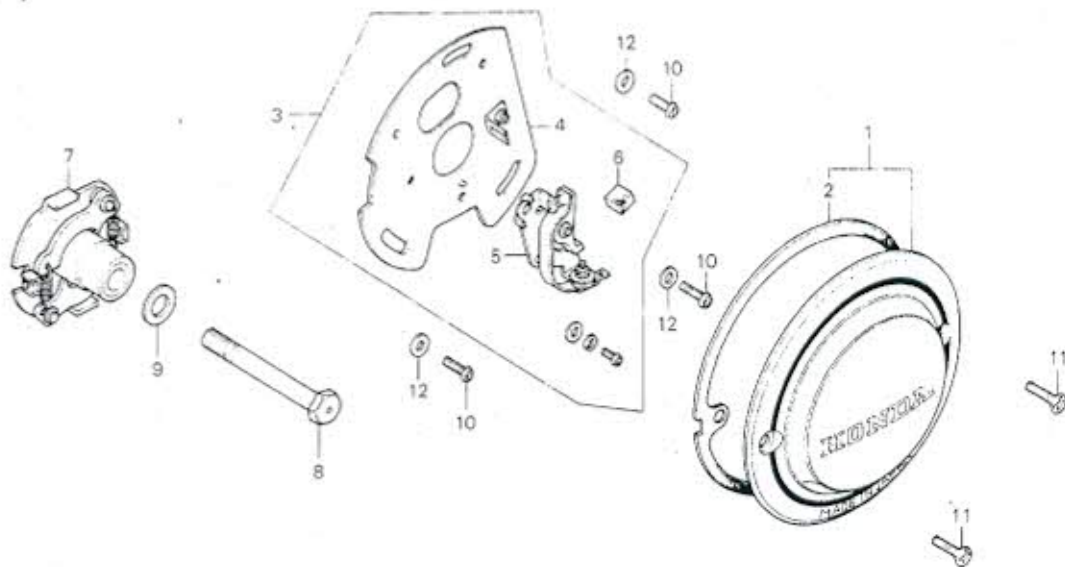
C14

C 15**E-10**

Contact breaker • Advancer

Contacts de rupteur • Avance

Unterbrecher • Zündversteller

Interruptor de contacto •
Avanzador

B402-5

Service item	F.R.T.	Ref. No.	Part No.	Description	Reqd. No.		Serial No.	Area code
					CD	CD		
COVER COMP., DYNAMO	0.1	1	11430-402-000	COVER COMP., DYNAMO	1	1		
FELT, OIL		2	11432-402-300	GASKET, DYNAMO COVER	1	1		
BREAKER ASSY., CONTACT	0.2	3	30200-402-004	BREAKER ASSY., CONTACT (TOYO)	1	1		
BREAKER, L. CYLINDER CONTACT		4	30201-402-000	PLATE, CONTACT BREAKER BASE	1	1		
PLATE, CONTACT BREAKER BASE	0.3	5	30202-399-000	BREAKER, L. CYLINDER CONTACT	1	1		
ADVANCER ASSY., SPARK		6	30205-399-004	FELT, OIL	1	1		
		7	30220-402-014	ADVANCER ASSY., SPARK	1	1		
		8	90123-402-000	BOLT, ROTOR SETTING	1	1		
		9	90426-122-000	WASHER, MAGNET FIXING	1	1		
		10	93500-05012	SCREW, PAN, 5X12	3	3		
		11	93700-05020-0B	SCREW, OVAL, 5X20	2	2		
		12	94101-05000	WASHER, PLAIN, 5MM	3	3		

1578.10.10

C15

C 16

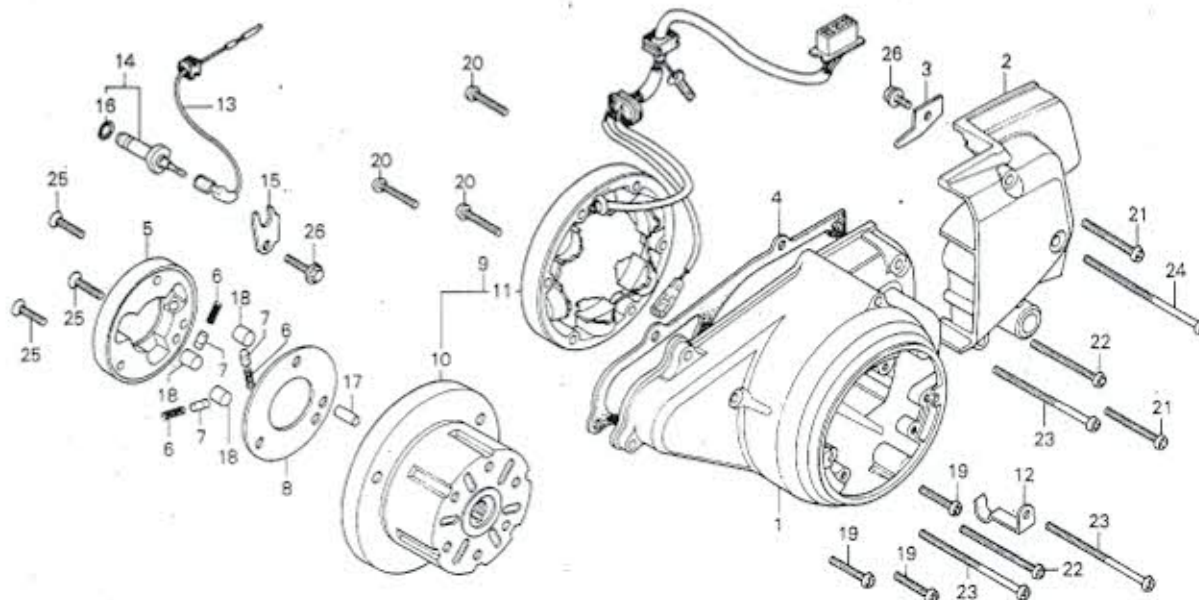
E-11

Left crankcase cover •
Generator

Couvercle de carter moteur
gauche • Générateur

Linker Kurbelgehäusedeckel •
Lichtmaschine

Cubierta de cárter
de motor izquierdo • Generador



B402-6

Service item	F.R.T.	Ref. No.	Part No.	Description	Reqd. No. CD 125T CD 185T	Serial No.	Area code
COVER, L. CRANKCASE	0.5	1	11341-402-000	COVER, L. CRANKCASE	1 1		
OUTER, STARTING CLUTCH		2	11361-402-000	COVER, L. RR. CRANKCASE	1		
INC. RELATIVE PART			11361-418-000	COVER, L. RR. CRANKCASE	1		
GENERATOR ASSY., A.C.							
ROTOR COMP.							
CONTACT ASSY., NEUTRAL SWITCH	0.1	3	11365-399-000	GUIDE, DRIVE CHAIN	1 1		
COVER, L. RR. CRANKCASE	0.2	4	11395-402-000	GASKET, L. SIDE SPACER	1 1		
GASKET, L. SIDE SPACER	0.4						
STATOR COMP.		5	28120-201-040	OUTER, STARTING CLUTCH	1 1		DK, DM, E, NR, SA
		6	28125-253-020	SPRING, STARTING CLUTCH ROLLER	3 3		DK, DM, E, NR, SA
		7	28126-253-030	CAP, STARTING CLUTCH ROLLER	3 3		DK, DM, E, NR, SA
		8	28128-253-030	PLATE, STARTING CLUTCH SIDE	1 1		DK, DM, E, NR, SA
		9	31100-402-004	GENERATOR ASSY., A.C. (NO)	1		
			31100-418-004	GENERATOR ASSY., A.C. (NO)	1		



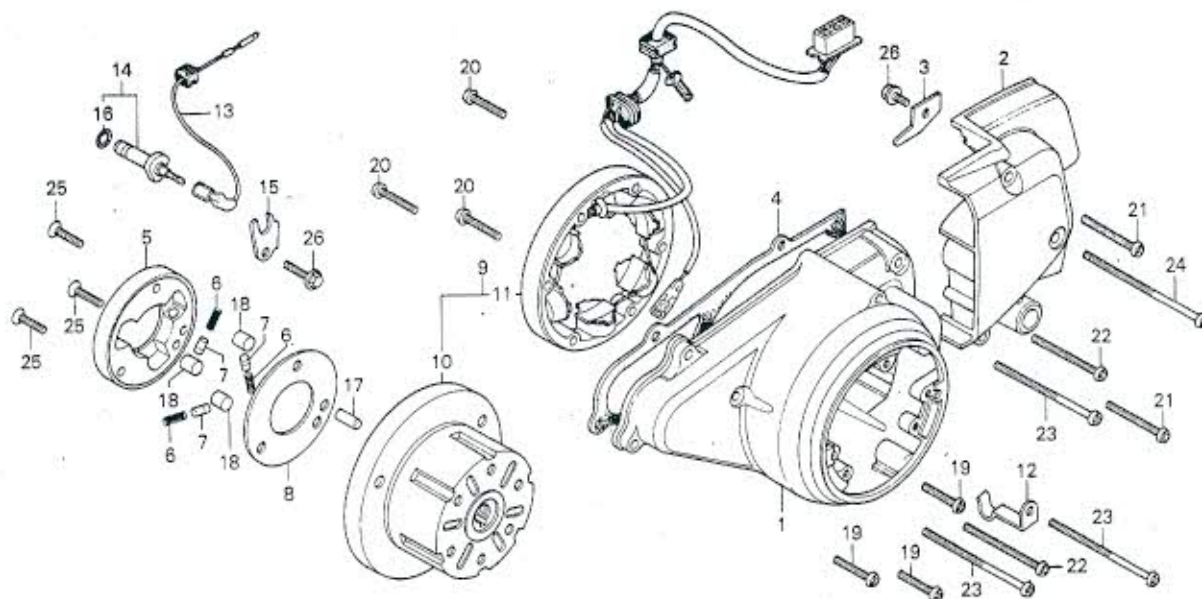
E-11

Left crankcase cover •
Generator

Couvercle de carter moteur
gauche • Générateur

Linker Kurbelgehäusedeckel •
Lichtmaschine

Cubierta de cárter
de motor izquierdo • Generador



B402-6

Service item	F.R.T.	Ref. No.	Part No.	Description	Reqd. No. CD CD 125T 1,85T	Serial No.	Area code
			31100-418-005	GENERATOR ASSY., A.C. (HITACHI)	1		
		10	31110-402-004	ROTOR COMP. (ND)	1		
			31110-418-004	ROTOR COMP. (ND)	1		
			31110-418-005	ROTOR COMP. (HITACHI)	1		
		11	31120-402-004	STATOR COMP. (ND)	1		
			31120-418-004	STATOR COMP. (ND)	1		
			31120-418-005	STATOR COMP. (HITACHI)	1		
		12	32911-402-000	CLIP, STARTING MOTOR CABLE	1	1	DK,DM,E,NR,SA
		13	32975-399-000	SUB CORD, NEUTRAL SWITCH	1	1	
		14	35750-350-005	CONTACT ASSY., NEUTRAL SWITCH	1	1	
		15	35752-399-000	PLATE, NEUTRAL SWITCH SETTING	1	1	
		16	37551-001-000	O-RING, 7X1.6	1	1	
		17	90701-250-000	PIN, KNOCK, 6X13.5	1	1	DK,DM,E,NR,SA
		18	91101-253-020	ROLLER, 10.2X9.5	3	3	DK,DM,E,NR,SA

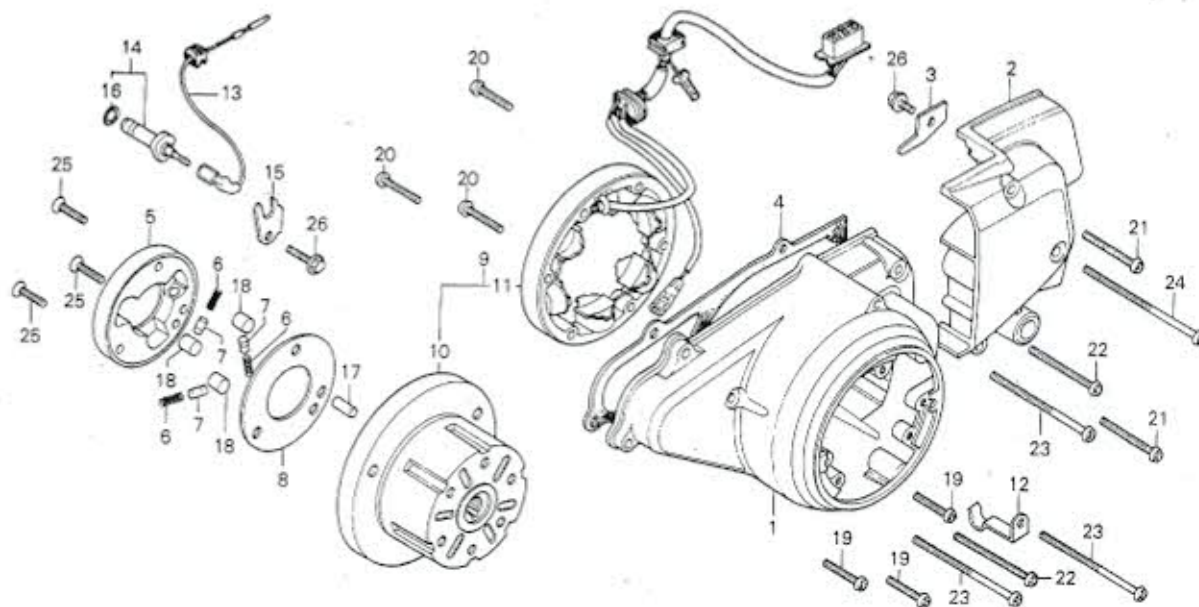
D 2**E-11**

Left crankcase cover ·
Generator

Couvercle de carter moteur ·
gauche · Générateur

Linker Kurbelgehäusedeckel ·
Lichtmaschine

Cubierta de cárter
de motor izquierdo · Generador



B402-6

Service item	F.R.T.	Ref. No.	Part No.	Description	Reqd. No.		Serial No.	Area code
					CD 125T	CD 185T		
		19	93500-06022	SCREW, PAN, 6X22	3	3		
		20	93500-06028	SCREW, PAN, 6X28	3	3		
		21	93500-06040	SCREW, PAN, 6X40	4	4		
		22	93500-06050	SCREW, PAN, 6X50	2	2		
		23	93500-06080	SCREW, PAN, 6X80	3	3		
		24	93500-06090	SCREW, PAN, 6X90	1	1		
		25	93600-06020	SCREW, FLAT, 6X20	3	3		DK, DM, E, NR, SA
		26	95700-06012-00	BOLT, FLANGE, 6X12	2	2		

D 3

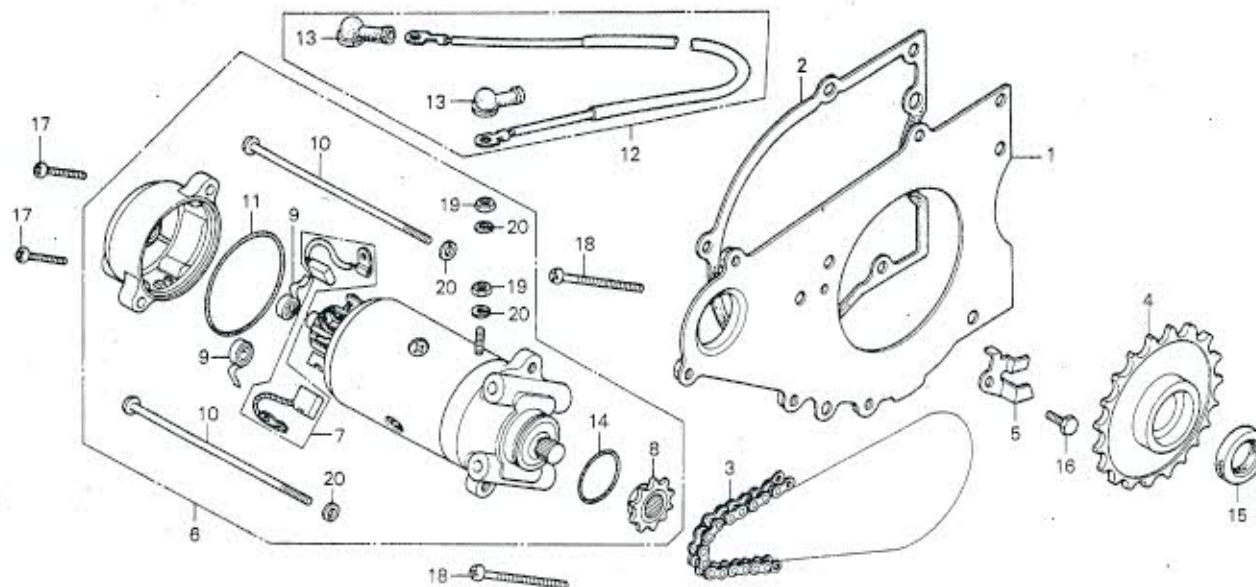
E-12

Starting motor

Moteur démarrage

Anlassermotor

Motor de arranque



B402-7

Service item	F.R.T.	Ref. No.	Part No.	Description	Reqd. No.		Serial No.	Area code
					CD	CD		
SPACER COMP., L. SIDE	0.5	1	11371-402-000	SPACER COMP., L. SIDE	1	1		DK,DM,E,NR,SA
SPROCKET COMP., STARTING			11371-418-630	SPACER COMP., L. SIDE		1		E2
OIL SEAL, 22X31X5								
CHAIN, STARTING	0.4	2	11394-399-000	GASKET, L. CRANKCASE COVER	1	1		
SPROCKET, STARTING MOTOR								
MOTOR ASSY., STARTING	0.8	3	28101-402-003	CHAIN, STARTING (DID219-54L)	1	1		DK,DM,E,NR,SA
BRUSH SET, CARBON	1.0			(DAID00)				
CABLE, STARTING MOTOR	0.9	4	28110-402-000	SPROCKET COMP., STARTING (35T)	1	1		DK,DM,E,NR,SA
		5	28117-402-000	PLATE, STARTING SPROCKET SET	1	1		DK,DM,E,NR,SA
		6	31200-402-008	MOTOR ASSY., STARTING	1	1		DK,DM,E,NR,SA
				(MITSUBA)				
		7	31201-225-154	BRUSH SET, CARBON	1	1		DK,DM,E,NR,SA
		8	31202-216-154	SPROCKET, STARTING MOTOR	1	1		DK,DM,E,NR,SA
		9	31204-230-174	SPRING, CARBON BRUSH (MITSUBA)	2	2		

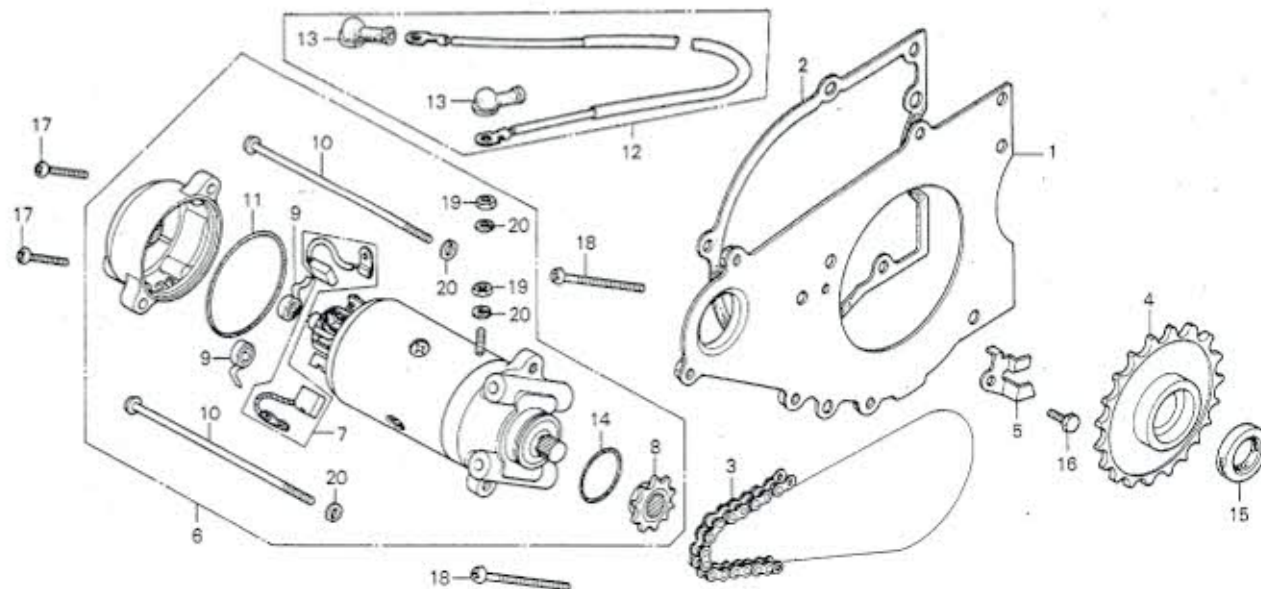
D 4**E-12**

Starting motor

Moteur démarrage

Anlassermotor

Motor de arranque



B402-7

Service item	F.R.T.	Ref. No.	Part No.	Description	Reqd. No.		Serial No.	Area code
					CD	CD		
		10	31205-402-008	BOLT, STARTER COVER	2	2		DK,DM,E,NR,SA
		11	31206-402-008	O-RING, 60X1.4	1	1		DK,DM,E,NR,SA
		12	32402-304-000	CABLE, STARTING MOTOR	1	1		DK,DM,E,NR,SA
		13	32411-230-000	COVER, STARTING MOTOR TERMINAL	2	2		DK,DM,E,NR,SA
		14	53438-611-000	O-RING, PINION CAP	1	1		DK,DM,E,NR,SA
		15	91202-402-003	OIL SEAL, 22X31X5	1	1		DK,DM,E,NR,SA
			91202-402-005	OIL SEAL, 22X31X5	1	1		DK,DM,E,NR,SA
			91201-418-631	OIL SEAL, 22X52X7		1		E2
			91201-418-632	OIL SEAL, 22X52X7		1		E2
		16	92100-06010	BOLT, HEX., 6X10	1	1		DK,DM,E,NR,SA
		17	93500-06025	SCREW, PAN, 6X25	2	2		DK,DM,E,NR,SA

D 5

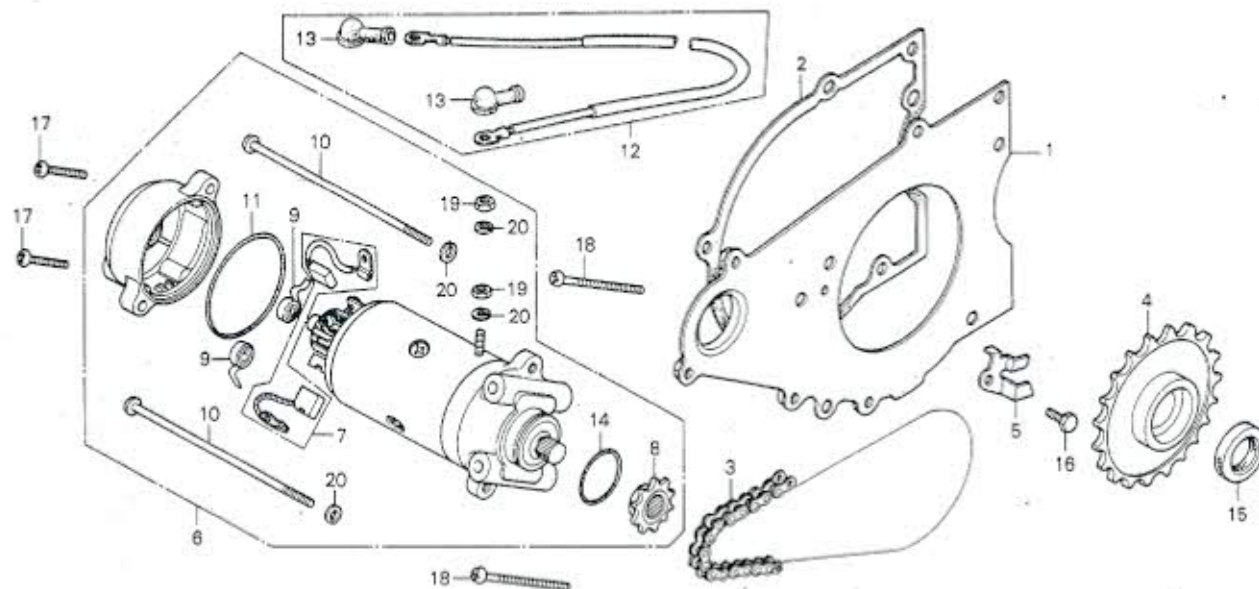
E-12

Starting motor

Moteur démarrage

Anlassermotor

Motor de arranque



B402-7

Service item	F.R.T.	Ref. No.	Part No.	Description	Reqd. No.		Serial No.	Area code
					CD	CD		
		18	93500-06065	SCREW, PAN, 6X65	2	2		DK,DM,E,NR,SA
		19	94002-06000	NUT, HEX., 6MM	2	2		DK,DM,E,NR,SA
		20	94111-06000	WASHER, SPRING, 6MM	4	4		DK,DM,E,NR,SA



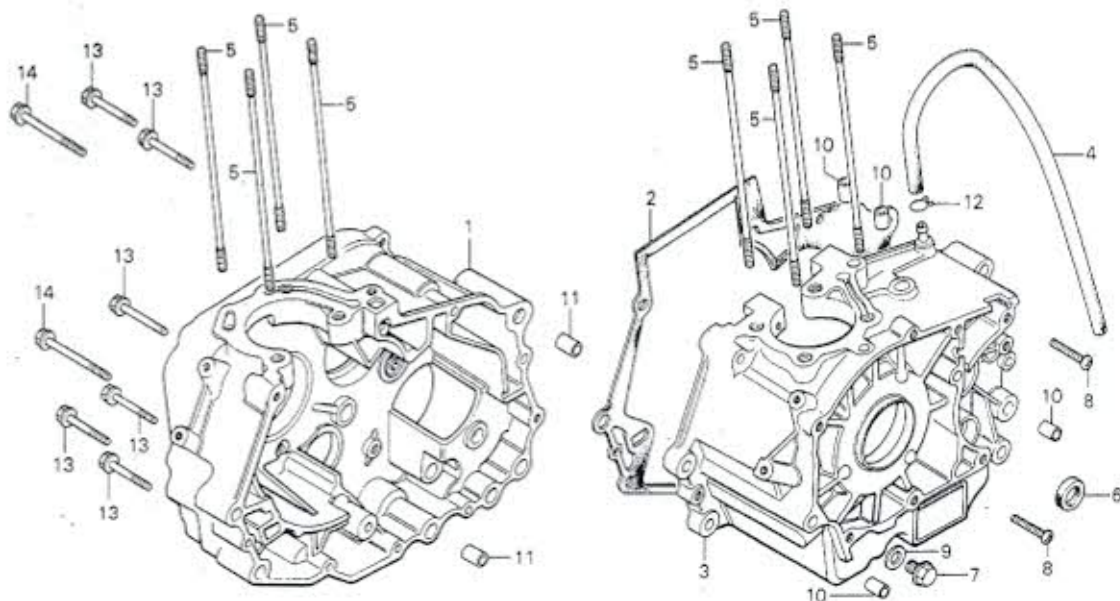
E-13

Crankcase

Carter moteur

Kurbelgehäuse

Cârter de motor



B309-12

Service item	F.R.T.	Ref. No.	Part No.	Description	Reqd. No. CD CD 125T 185T	Serial No.	Area code
CRANKCASE COMP., R.	*5.2	1	11100-399-000	CRANKCASE COMP., R.	1		
GASKET, CRANKCASE	*4.3		11100-418-000	CRANKCASE COMP., R.	1	1	
CRANKCASE COMP., L.	*6.2	2	11191-399-000	GASKET, CRANKCASE	1	1	
BOLT, CYLINDER STUD (ADD 0.1 FOR EACH.)	*3.1	3	11200-399-000	CRANKCASE COMP., L.	1		
			11200-418-000	CRANKCASE COMP., L.	1	1	
OIL SEAL, 11.6X24X10	0.9	4	15761-402-000	TUBE, BREATHER	1	1	
		5	90031-399-000	BOLT, CYLINDER STUD (DA100)	8	8	
		6	91204-035-003	OIL SEAL, 11.6X24X10	1	1	
		7	92800-12000	BOLT, DRAIN PLUG, 12MM	1	1	
		8	93500-06040	SCREW, PAN, 6X40	2	2	
		9	94109-12000	WASHER, DRAIN PLUG, 12MM	1	1	
		10	94301-08140	PIN A, DOWEL, 8X14	4	4	
		11	94301-12200	PIN A, DOWEL, 12X20	2	2	
		12	95002-02120	CLIP B12, TUBE	1	1	
		13	95700-06040-00	BOLT, FLANGE, 6X40	6	6	
		14	95700-06065-00	BOLT, FLANGE, 6X65	2	2	

D 7

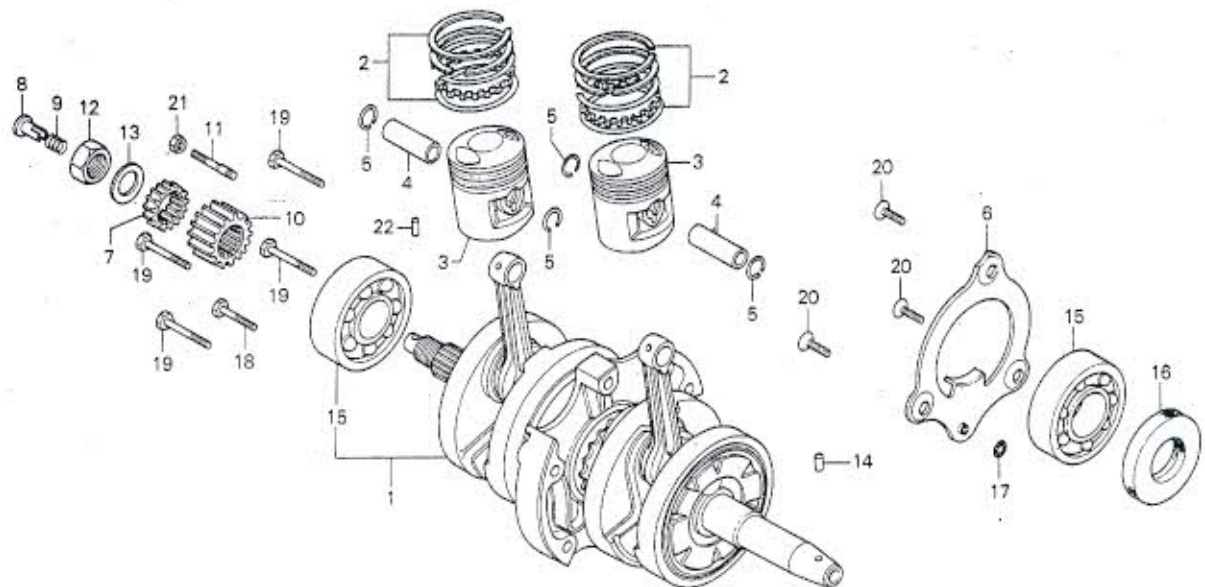
E-14

Crankshaft • Piston

Vilebrequin • Piston

Kurbelwelle • Kolben

Cigüeñal • Pistón



9402-8

Service item	F.R.T.	Ref. No.	Part No.	Description	Reqd. No.		Serial No.	Area code
					CD	CD		
CRANKSHAFT COMP. BEARING, RADIAL BALL, 6305 (R. SIDE 5.0) PISTON (ADD 0.2 FOR EACH.) PIN, PISTON PLATE, OIL THROUGH THROUGH, OIL GEAR, PRIMARY DRIVE OIL SEAL, 35X52X7	*5.2	1	13000-402-000	CRANKSHAFT COMP.	1			
			13000-418-000	CRANKSHAFT COMP.		1		
			2	13011-399-003	RING SET, PISTON (STD.)	2		
		*3.3		13011-418-003	RING SET, PISTON (STD.)		2	
		*3.1		13011-418-005	RING SET, PISTON (STD.)		2	
		*5.0		13012-399-003	RING SET, PISTON (0.25)	(2)		
		0.7		13012-418-003	RING SET, PISTON (0.25)		(2)	
		0.4		13012-418-005	RING SET, PISTON (0.25)		(2)	
				13013-399-003	RING SET, PISTON (0.50)	(2)		
				13013-418-003	RING SET, PISTON (0.50)		(2)	
				13013-418-005	RING SET, PISTON (0.50)		(2)	

D 8

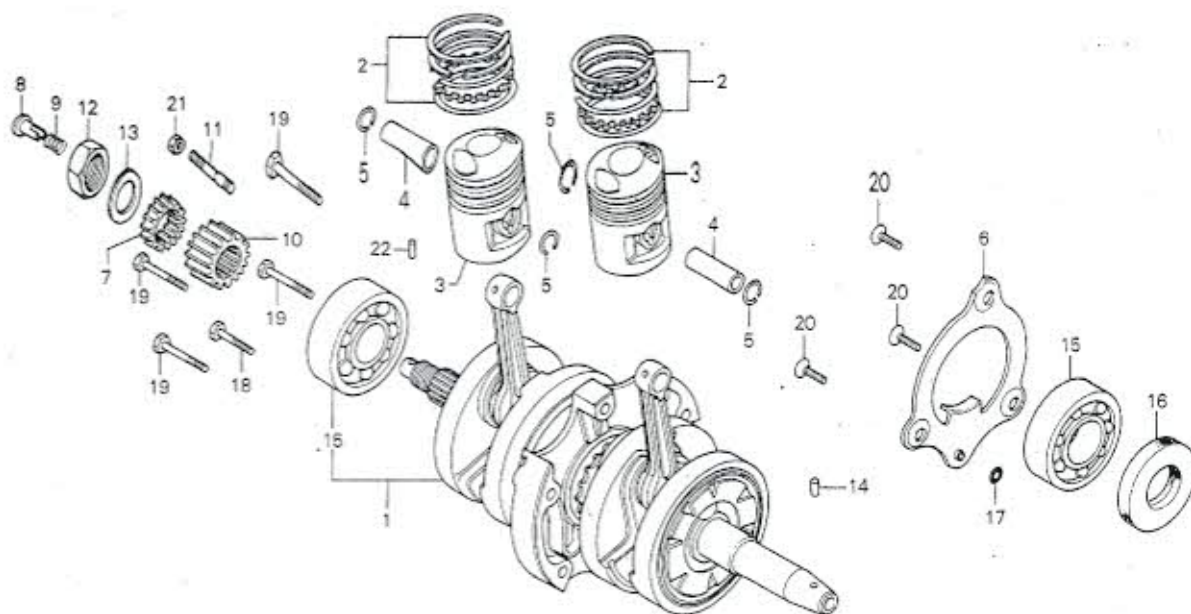
E-14

Crankshaft • Piston

Vilebrequin • Piston

Kurbelwelle • Kolben

Cigüeñal • Pistón



8402-8

Service item	F.R.T.	Ref. No.	Part No.	Description	Reqd. No.		Serial No.	Area code
					CD	125T 185T		
			13014-399-003	RING SET, PISTON (0.75)		(2)		
			13014-418-003	RING SET, PISTON (0.75)		(2)		
			13014-418-005	RING SET, PISTON (0.75)		(2)		
			13015-399-003	RING SET, PISTON (1.00)		(2)		
			13015-418-003	RING SET, PISTON (1.00)		(2)		
			13015-418-005	RING SET, PISTON (1.00)		(2)		
		3	13101-418-000	PISTON (STD.)		2		
			13102-418-000	PISTON (0.25)		(2)		
			13103-418-000	PISTON (0.50)		(2)		
			13104-418-000	PISTON (0.75)		(2)		
			13105-418-000	PISTON (1.00)		(2)		
			13101-399-010	PISTON (STD.)		2		
			13102-399-010	PISTON (0.25)		(2)		
			13103-399-010	PISTON (0.50)		(2)		
			13104-399-010	PISTON (0.75)		(2)		

D 9

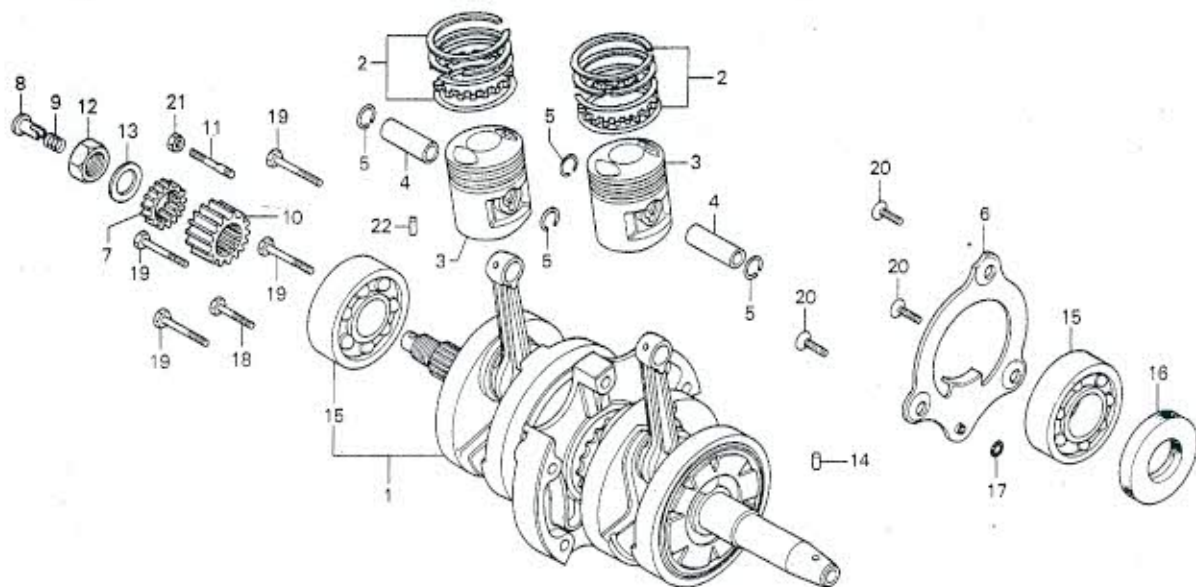
E-14

Crankshaft • Piston

Vilebrequin • Piston

Kurbelwelle • Kolben

Cigüeñal • Pistón



B402-B

Service item	F.R.T.	Ref. No.	Part No.	Description	Reqd. No.		Serial No.	Area code
					CD 125T	CD 185T		
					(2)			
		4	13105-399-010	PISTON (1.00)		2		
			13111-028-000	PIN, PISTON		2		
			13111-044-010	PIN, PISTON		2		
		5	13115-001-000	CLIP, PISTON PIN		4		
			94601-14000	CLIP, PISTON PIN, 14MM		4		
		6	13385-399-000	PLATE, OIL THROUGH		1	1	
		7	15335-399-000	GEAR B, OIL PUMP DRIVE (19T)		1	1	
		8	15441-149-000	THROUGH, OIL		1	1	
		9	15447-149-000	SPRING, OIL THROUGH		1	1	
		10	23121-399-000	GEAR, PRIMARY DRIVE (18T)		1	1	
		11	90035-399-000	BOLT, STUD, 7X32		1	1	
		12	90202-567-000	NUT, HUB, 16MM		1	1	
		13	90401-399-000	WASHER, LOCK		1	1	
		14	90703-399-000	PIN, DOWEL, 4X4.4		1	1	
		15	91001-399-003	BEARINGS, RADIAL BALL, 6305 (NACHI)		2	2	

1978.10.10

D9

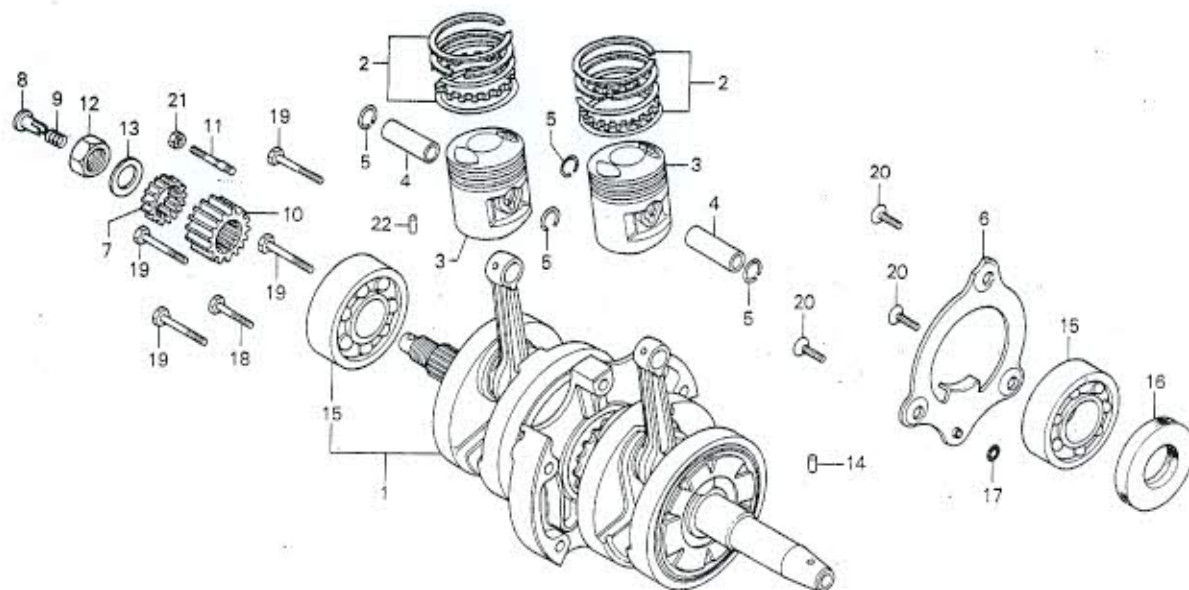
D 10**E-14**

Crankshaft • Piston

Vilebrequin • Piston

Kurbelwelle • Kolben

Cigüeñal • Pistón



B402-8

Service item	F.R.T.	Ref. No.	Part No.	Description	Reqd. No. CD CD 125T185T	Serial No.	Area code
		16	91201-402-005	OIL SEAL, 35X52X7	1 1		DK,DM,E,NR,SA
		17	91319-323-000	O-RING, 6X3	1 1		
		18	92100-06028	BOLT, HEX., 6X28	1 1		
		19	92100-06032	BOLT, HEX., 6X32	4 4		
		20	93600-06016	SCREW, FLAT, 6X16	3 3		
		21	94001-06000	NUT, HEX., 6MM	1 1		
		22	96220-20138	ROLLER, 2X13.8	1 1		

D 11

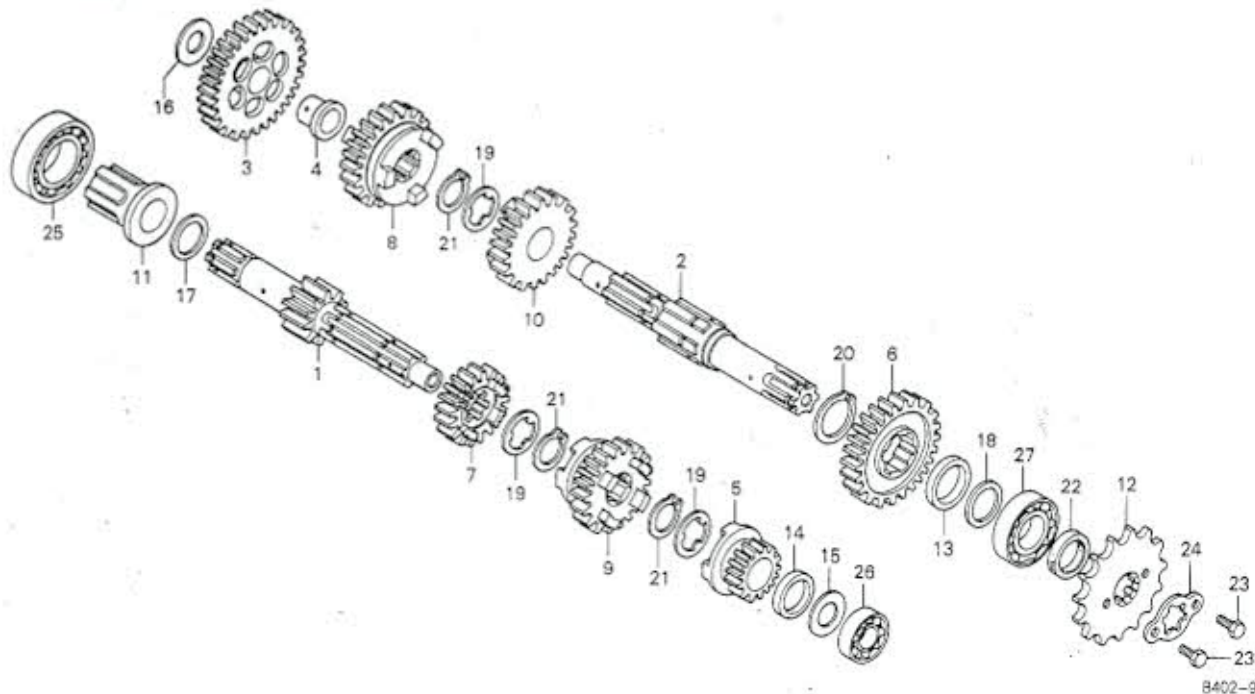
E-15

Transmission

Transmission

Getriebe

Transmisión



8402-9

Service item	F.R.T.	Ref. No.	Part No.	Description	Reqd. No.		Serial No.	Area code
					CD	CD		
MAINSHAFT, TRANSMISSION INC. RELATIVE PART COUNTERSHAFT, TRANSMISSION INC. RELATIVE PART (WHEN SERVICING COMP., UNIT, F.R.T. IS 4.7.) SPROCKET, DRIVE	*4.5	1	23211-402-000	MAINSHAFT, TRANSMISSION (13T)	1	1		
		2	23221-402-010	COUNTERSHAFT, TRANSMISSION	1	1		
		3	23426-402-010	GEAR, COUNTERSHAFT LOW (36T)	1	1		
	0.3	4	23427-402-010	BUSH, 16.5MM	1	1		
		5	23441-397-000	GEAR, MAINSHAFT SECONDD (18T)	1	1		
		6	23451-397-000	GEAR, COUNTERSHAFT SECOND (31T)	1	1		
		7	23461-397-000	GEAR, MAINSHAFT THIRD (22T)	1	1		
		8	23471-402-000	GEAR, COUNTERSHAFT THIRD (28T)	1			
			23471-397-000	GEAR, COUNTERSHAFT THIRD (28T)	1	1	2085596	2085595
		9	23481-402-000	GEAR, MAINSHAFT FOURTH (25T)	1	1		

D 12

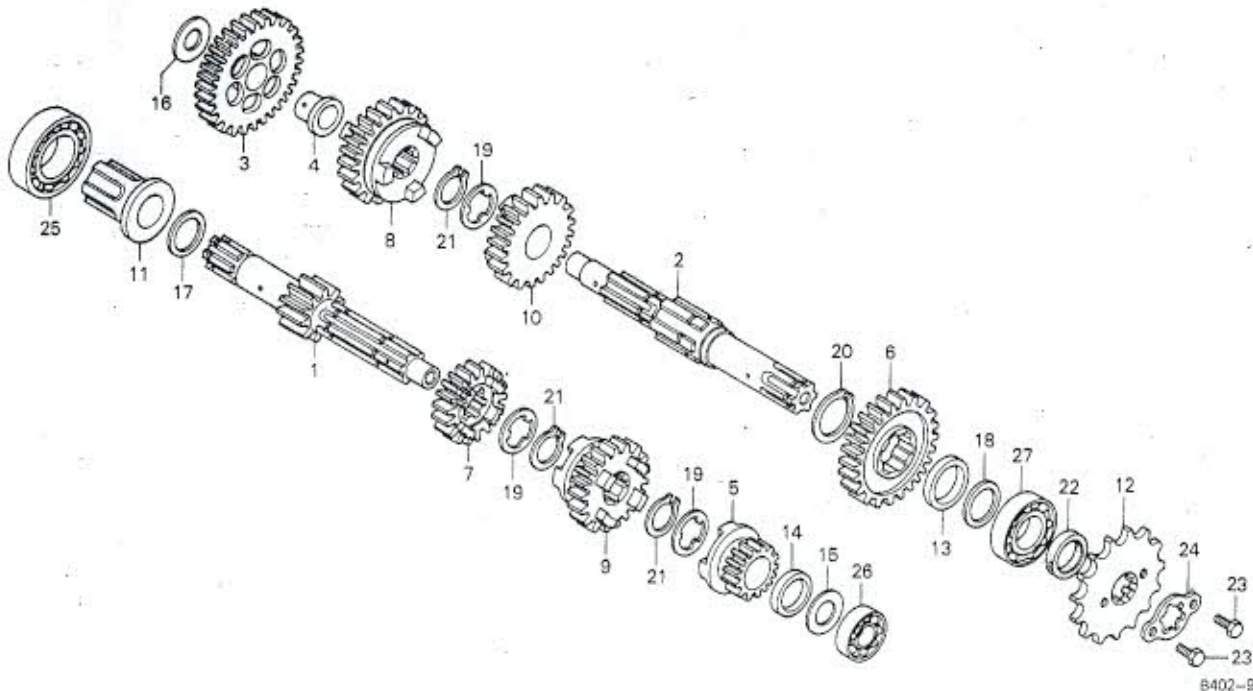
E-15

Transmission

Transmission

Getriebe

Transmisión



Service item	F.R.T.	Ref. No.	Part No.	Description	Reqd. No.		Serial No.	Area code
					CD	CD		
		10	23491-402-000	GEAR, COUNTERSHAFT FOURTH (25T)	1			
			23491-419-000	GEAR, COUNTERSHAFT FOURTH (25T)	1	1	2085595	
					1	1	2085596	
		11	23520-402-000	COLLAR COMP., MAINSHAFT LOW GEAR SIDE	1	1		
		12	23801-330-000	SPRCKET, DRIVE (15T)	1	1		
		13	23911-397-000	COLLAR A, GEAR	1	1		
		14	23912-397-000	COLLAR B, GEAR	1	1		
		15	90451-107-000	WASHER, THRUST, 15MM	1	1		
		16	90451-365-000	WASHER, THRUST, 15MM	1	1		
		17	90453-107-000	WASHER A, THRUST, 20 MM	1	1		
		18	90454-107-000	WASHER, THRUST, 20MM	1	1		
		19	90455-107-000	WASHER A, SPLINE, 20MM	3	3		
		20	90601-107-000	CIR CLIP, 25MM	1	1		
		21	90605-200-000	SET RING, 20MM	3	3		

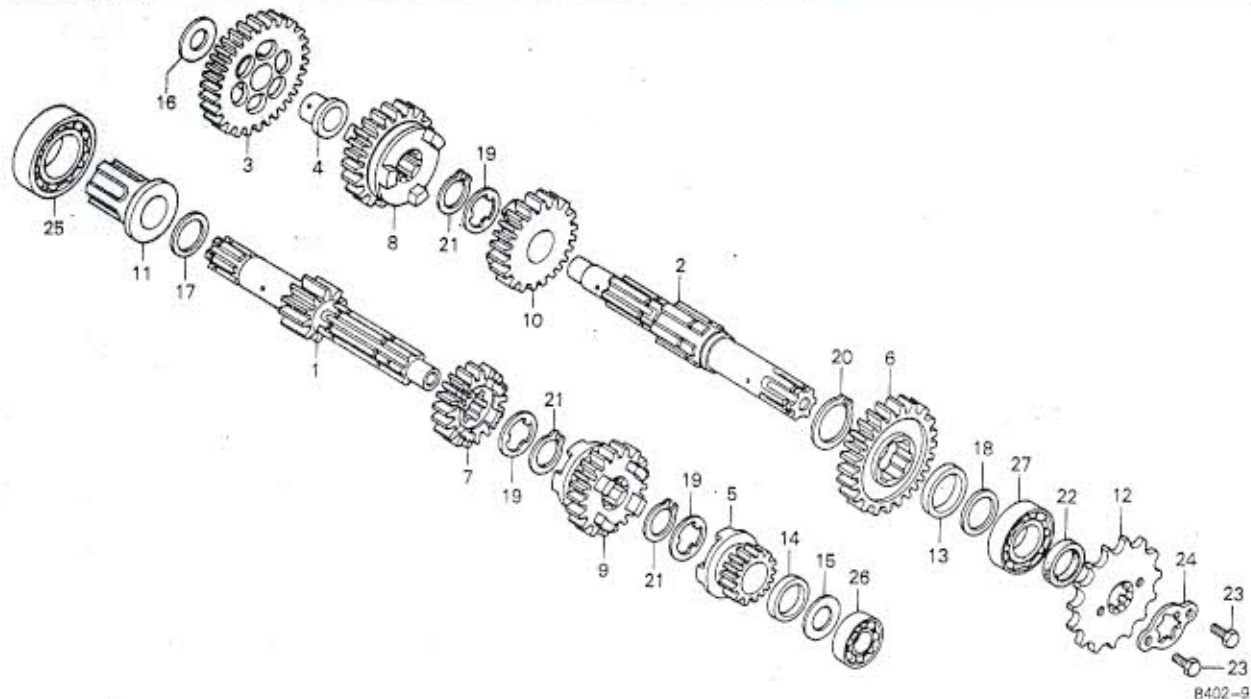
D 13**E-15**

Transmission

Transmission

Getriebe

Transmisión



Service item

F.R.T.

Ref.
No.

Part No.

Description

Reqd. No.
CD CD
125T 185T

Serial No.

Area code

22	91201-030-003	OIL SEAL, 20X34X7	1		
	91201-030-013	OIL SEAL, 20X34X7	1	2084816	
23	92000-06010	BOLT, HEX., 6X10	2	2	
24	95014-92100	PLATE B, FIXING	1	1	
25	96100-60060	BEARING, RADIAL BALL, 6006	1	1	
26	96120-62020	BEARING, RADIAL BALL, 6202Z	1	1	
27	96140-62040	BEARING, RADIAL BALL, 6204U	1	1	

D 14

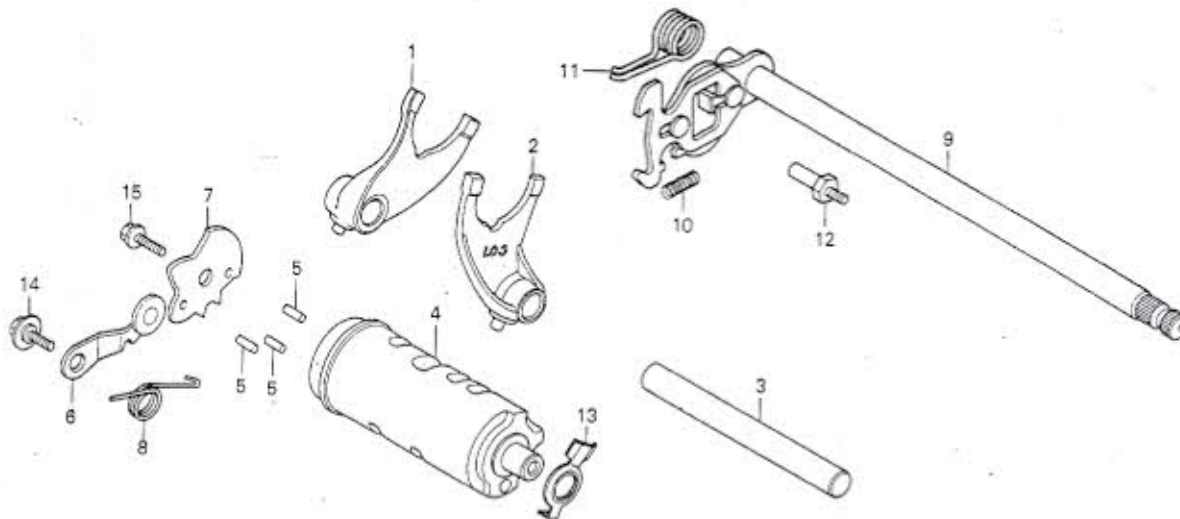
E-16

Shift drum • Shift fork

Tambour de changement
de vitesse •
Fourchette de changement

Schaltwalze • Schaltgabel

Tambor do cambio •
Horquilla de cambio



B418-1

Service item	F.R.T.	Ref. No.	Part No.	Description	Reqd. No. CD CD 125T 185T	Serial No.	Area code
FORK, GEARSHIFT	*4.5	1	24211-399-000	FORK, R. GEARSHIFT	1 1		
INC. RELATIVE PART							
DRUM, GEARSHIFT		2	24231-399-000	FORK, CENTER GEARSHIFT	1 1		
INC. RELATIVE PART							
STOPPER COMP., SHIFT DRUM	0.8	3	24241-399-000	SHAFT, GEARSHIFT FORK GUIDE	1 1		
PLATE, DRUM STOPPER							
SPINDLE CMP., GEARSHIFT	0.9	4	24301-402-010	DRUM, GEARSHIFT	1		
BOLT, SHIFT DRUM STOPPER ARM			24301-418-010	DRUM, GEARSHIFT	1 1		
PIVOT		5	24421-200-000	PIN, GEARSHIFT DRUM	5 3		
		6	24430-399-010	STOPPER COMP., SHIFT DRUM	1 1	2057817	D/C
		7	24435-402-000	PLATE, DRUM STOPPER	1		
			24435-419-000	PLATE, DRUM STOPPER	1	2079815	DK,DM,E,NR,SA
			24435-418-630	PLATE, DRUM STOPPER	1	2080015	E2
			24435-419-010	PLATE, DRUM STOPPER	1	2079816	DK,DM,E,NR,SA
			24435-418-631	PLATE, DRUM STOPPER	1	2080016	E2
		8	24436-399-020	SPRING, SHIFT DRUM STOPPER	1 1		

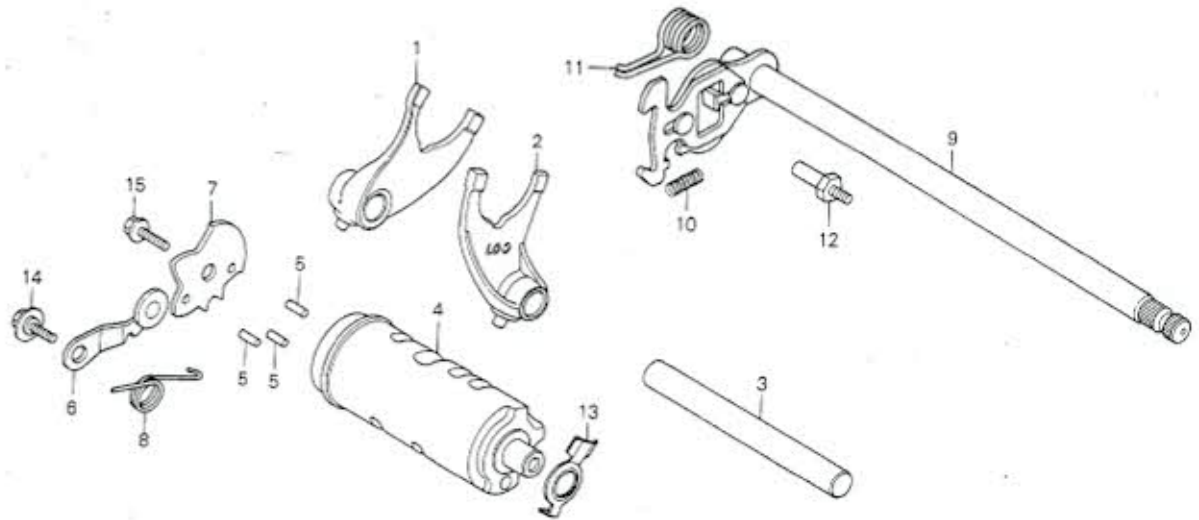
D 15**E-16**

Shift drum • Shift fork

Tambour de changement
de vitesse •

Fourchette de changement

Schaltwalze • Schaltgabel

Tambor do cambio •
Horquilla de cambio

B41B-1

Service item	F.R.T.	Ref. No.	Part No.	Description	Reqd. No. CD CD 125T 185T	Serial No.	Area code
		9	24610-399-000/α	SPINDLE COMP., GEARSHIFT	1 1	Shift	
		10	24641-115-010	SPRING, GEARSHIFT ARM	1 1		
		11	24651-107-000	SPRING, GEARSHIFT RETURN	1 1		
		12	24652-035-000	PIN, SHIFT RETURN SPRING	1 1		
		13	35753-115-000	ROTOR, NEUTRAL SWITCH	1 1		
		14	90023-041-000	BLT, SHIFT DRUM STOPPER ARM	1 1		
		15	95700-06016-00	BLT, FLANGE, 6X16 PIVOT	1 1		

D 16

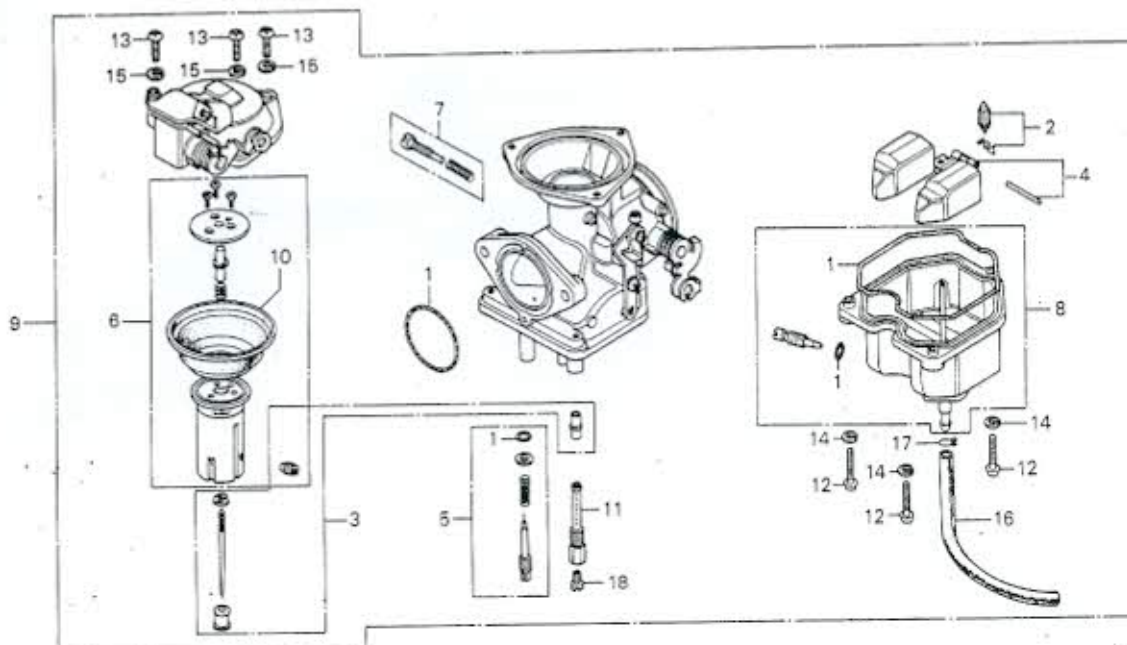
E-17

Carburetor
(CD125T)

Carburateur
(CD125T)

Vergaser
(CD125T)

Carburador
(CD125T)



B402-11

Service item	F.R.T.	Ref. No.	Part No.	Description	Reqd. No.		Serial No.	Area code
					CD 125T	CD 185T		
PACKING SET	0.7	1	16010-402-004	PACKING SET		1		
NEEDLE SET, JET		2	16011-393-004	VALVE SET, FLOAT		1		
VALVE SET, FLOAT	0.5	3	16012-402-004	NEEDLE SET, JET		1		
HOLDER, NEEDLE JET		4	16013-393-004	FLOAT SET		1		
JET, MAIN, #108		5	16016-402-004	SCREW SET A		1		
VALVE SET, THROTTLE	0.4	6	16022-402-004	VALVE SET, THROTTLE		1		
CHAMBER SET, FLOAT		7	16028-402-004	SCREW SET B		1		
CARBURETOR ASSY.		8	16045-393-004	CHAMBER SET, FLOAT		1		
DIAPHRAGM		9	16100-402-004	CARBURETOR ASSY.		1		
		10	16140-402-004	DIAPHRAGM		1		
		11	16165-402-004	HOLDER, NEEDLE JET		1		
		12	93500-04016-0H	SCREW, PAN, 4X16		3		
		13	93500-05012-0H	SCREW, PAN, 5X12		3		
		14	94111-04800	WASHER, SPRING, 4MM		3		
		15	94111-05000	WASHER, SPRING, 5MM		3		
		16	95001-35300-40	TUBE, FUEL, 3.5X300		1		
		17	95002-02070	CLIP B7, TUBE		1		
		18	99101-393-1080	JET, MAIN, #108		1		