

I 12

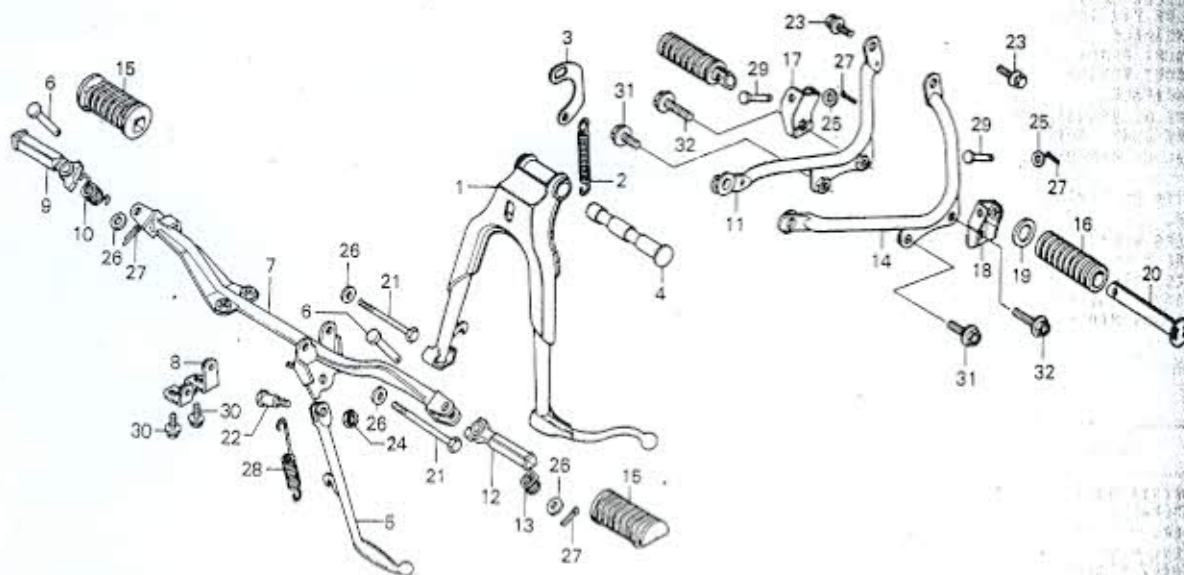
F-17

Step • Stand

Repose pieds • Bequille

Tritt • Ständer

Estribo • Estante



6418-11

Service item	F.R.T.	Ref. No.	Part No.	Description	Reqd. No.		Serial No.	Area code
					CD	125T		
		11	50636-402-000ZA	PIPE, R. PILLION STEP *NH-1*	1	1		
		12	50642-312-010	ARM COMP., L. STEP	1	1		
		13	50644-329-000	SPRING, L. STEP RETURN	1	1		
		14	50646-402-000ZA	PIPE, L. PILLION STEP *NH-1*	1	1		
		15	50661-312-000	RUBBER, STEP	2	2		
		16	50710-405-000	RUBBER, PILLION STEP	2	2		
		17	50711-402-000	BRACKET, R. PILLION STEP	1	1		
		18	50712-402-000	BRACKET, L. PILLION STEP	1	1		
		19	50712-405-000	WASHER, PILLION STEP	2	2		
		20	50715-405-000	BAR, PILLION STEP	2	2		

I 13

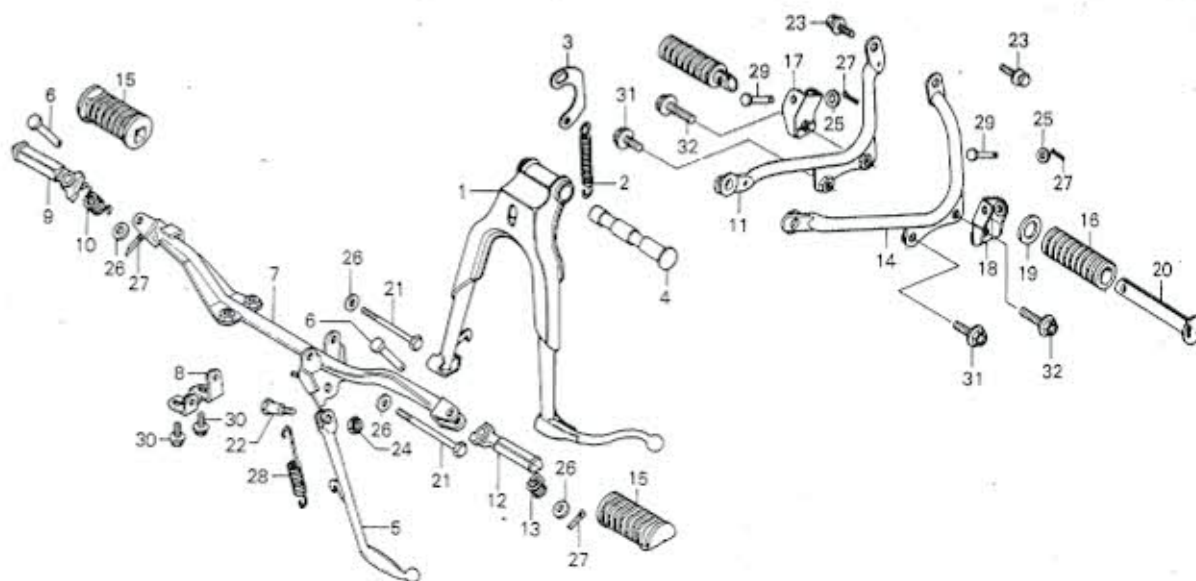
F-17

Step • Stand

Repose pieds • Bequille

Tritt • Ständer

Estribo • Estante



8418-11

Service item	F.R.T.	Ref. No.	Part No.	Description	Reqd. No.		Serial No.	Area code
					CD	CD		
		21	90085-292-000	BOLT, HEX., 8X132	2	2		
		22	90108-283-000	SCREW, SIDE STAND PIVOT	1	1		
		23	93481-08020-00	BOLT-WASHER, 8X20	2	2		
		24	94030-10000	NUT, HEX., 10MM	1	1		
		25	94101-06000	WASHER, PLAIN, 6MM	2	2		
		26	94101-08000	WASHER, PLAIN, 8MM	4	4		
		27	94201-16150	PIN, SPLIT, 1.6X15	4	4		
		28	95014-72102	SPRING A, SIDE STAND	1	1		
		29	95015-82000	PIN B, PILLION STEP	2	2		
		30	95700-08020-00	BOLT, FLANGE, 8X20	2	2		
		31	95700-10020-00	BOLT, FLANGE, 10X20	2	2		
		32	95700-10025-00	BOLT, FLANGE, 10X25	2	2		

1978.10.10

113

I 14

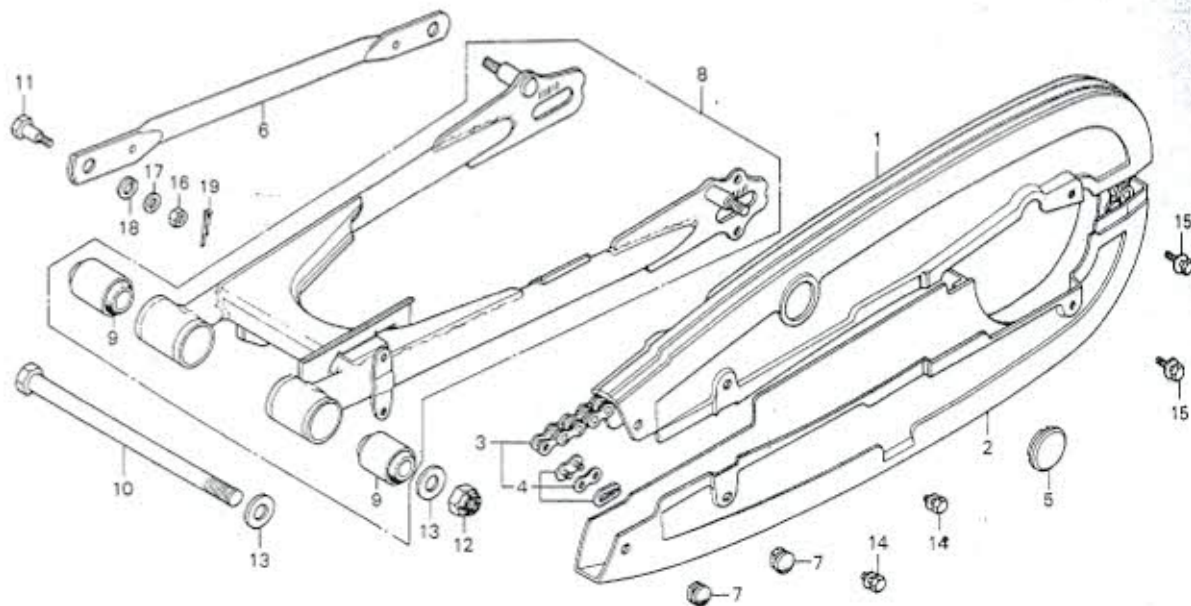
F-18

Rear fork

Fourche arrière

Hintere Schwinge

Horquilla trasera



B402-29

Service item	F.R.T.	Ref. No.	Part No.	Description	Reqd. No. CD CD 125T 185T	Serial No.	Area code
CASE, DRIVE CHAIN UPPER HALF	0.1	1	40510-402-000ZA	CASE, DRIVE CHAIN UPPER HALF	1		
CASE, DRIVE CHAIN LOWER HALF	0.2			*NH-1*			
CHAIN, DRIVE	0.3		40510-402-000ZB	CASE, DRIVE CHAIN UPPER HALF	1		DK,DM,E,NR,SA
INC. RELATIVE PART				*PB-7C*			
ARM, RR. BRAKE STOPPER	0.2		40510-402-000ZC	CASE, DRIVE CHAIN UPPER HALF	1		DK,DM,E,NR,SA
FORK COMP., RR.	1.0			*R-4C*			
BUSH, RR. FORK PIVOT RUBBER (ONE OR ALL)	1.2		40510-402-000ZD	CASE, DRIVE CHAIN UPPER	1		E2
				PB-54			
		2	40520-402-000ZA	CASE, DRIVE CHAIN LOWER HALF	1		
				NH-1			
			40520-402-000ZB	CASE, DRIVE CHAIN LOWER HALF	1		DK,DM,E,NR,SA
				PB-7C			
			40520-402-000ZC	CASE, DRIVE CHAIN LOWER HALF	1		DK,DM,E,NR,SA
				R-4C			
			40520-402-000ZD	CASE, DRIVE CHAIN LOWER	1		E2
				PB-54			
		3	40530-402-003	CHAIN, DRIVE (DID428GM-116L) (DAIDO)	1		
			40530-402-005	CHAIN, DRIVE (428FM-116L) (TAKASAGO)	1		

J 4

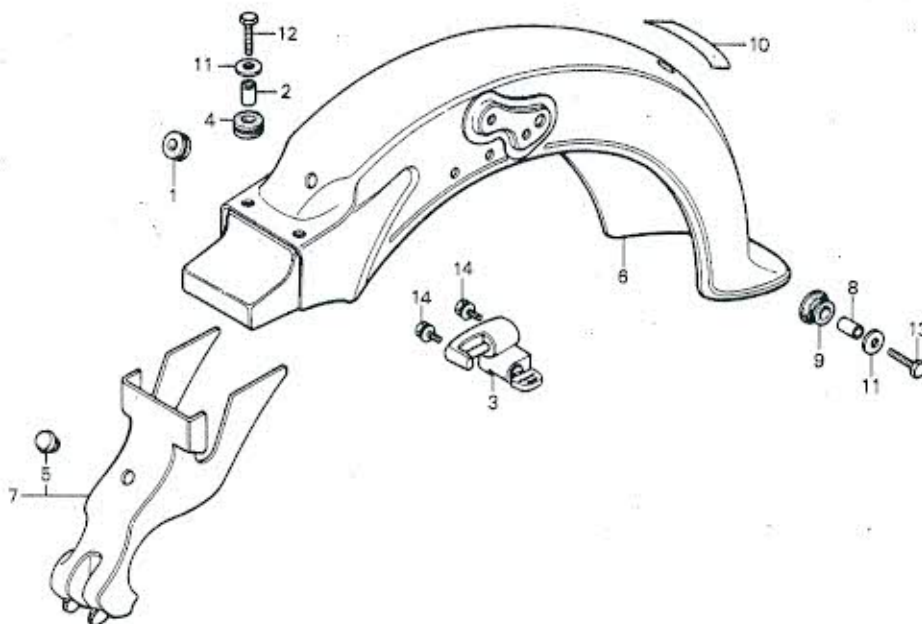
F-20

Rear fender
(DK, DM, E, NR, SA)

Garde-boue arrière
(DK, DM, E, NP, SA)

Hinterer Kotflügel
(DK, DM, E, NR, SA)

Parafango trasero
(DK, DM, E, NR, SA)



B402-31

Service item	F.R.T.	Ref. No.	Part No.	Description	Reqd. No.		Serial No.	Area code
					CD	CD		
HOLDER ASSY., HELMET FENDER COMP., RR. FENDER B	0.1 0.5 0.3	1	32983-028-000	GROMMET, WIRE HARNESS	1	1		DK,DM,E,NR,SA
		2	33603-053-650	COLLAR, RR. WINKER STAY	2	2		DK,DM,E,NR,SA
		3	50710-086-007	HOLDER ASSY., HELMET (HONDA LOCK)	1	1		DK,DM,E,NR,SA
		4	61103-357-000	RUBBER, FR. FENDER MOUNTING	2	2		DK,DM,E,NR,SA
		5	66892-567-680	GROMMET, SWITCH HOLE, 10MM	1	1		DK,DM,E,NR,SA
		6	80100-402-000ZA	FENDER COMP., RR. *NH-1*	1	1		DK,DM,E,SA
			80100-402-000ZB	FENDER COMP., RR. *PB-7C*		1		DK,DM,E,SA
			80100-402-000ZC	FENDER COMP., RR. *R-4C*		1		DK,DM,E,SA
			80100-418-710	FENDER COMP., RR.		1		NR
7	80101-419-000	FENDER B	1	1		DK,DM,E,NR,SA		
8	80108-402-000	COLLAR A, RR. FENDER	2	2		DK,DM,E,NR,SA		
9	80110-402-000	RUBBER, RR. FENDER CUSHION	2	2		DK,DM,E,NR,SA		

1978.10.10

J4

J 5

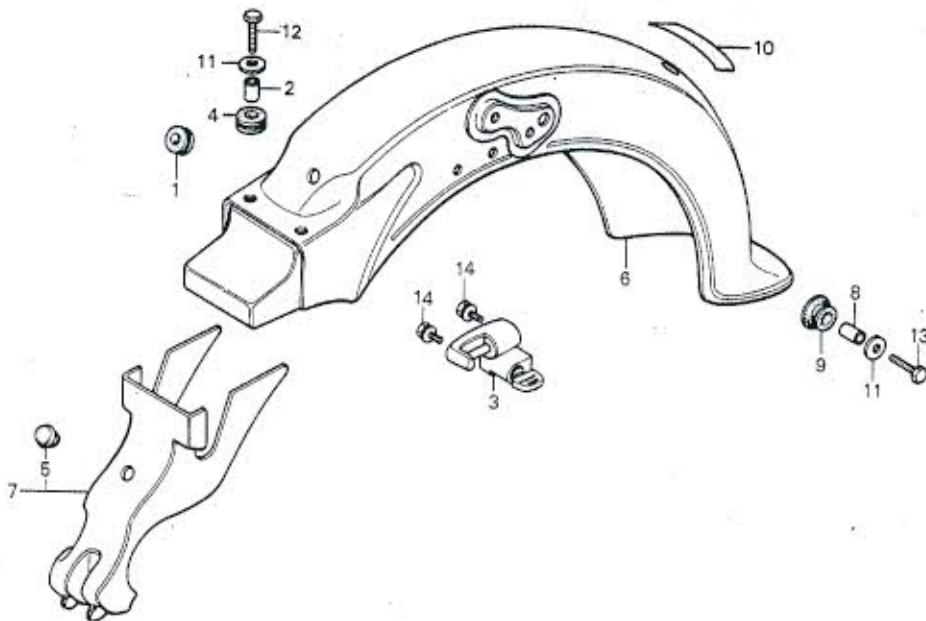
F-20

**Rear fender
(DK, DM, E, NR, SA)**

**Garde-boue arrière
(DK, DM, E, NP, SA)**

**Hinterer Kotflügel
(DK, DM, E, NR, SA)**

**Parafango trasero
(DK, DM, E, NR, SA)**



5402-31

Service item	F.R.T.	Ref. No.	Part No.	Description	Reqd. No.		Serial No.	Area code
					CD	CD		
		10	87505-402-680	MARK, TIRE CAUTION	1			SA
			87505-418-660	MARK, TIRE CAUTION	1			DK,DM,E,NR
			87505-418-710	MARK, TIRE CAUTION	1			
		11	90563-355-000	WASHER, WHEEL, 6MM	4	4		DK,DM,E,NR,SA
		12	92000-06022	BOLT, HEX., 6X22	2	2		DK,DM,E,NR,SA
		13	92000-06028	BOLT, HEX., 6X28	2	2		DK,DM,E,NR,SA
		14	93482-06010-00	BOLT-WASHER, 6X10	2	2		DK,DM,E,NR,SA

1978.10.10

J5

J 6

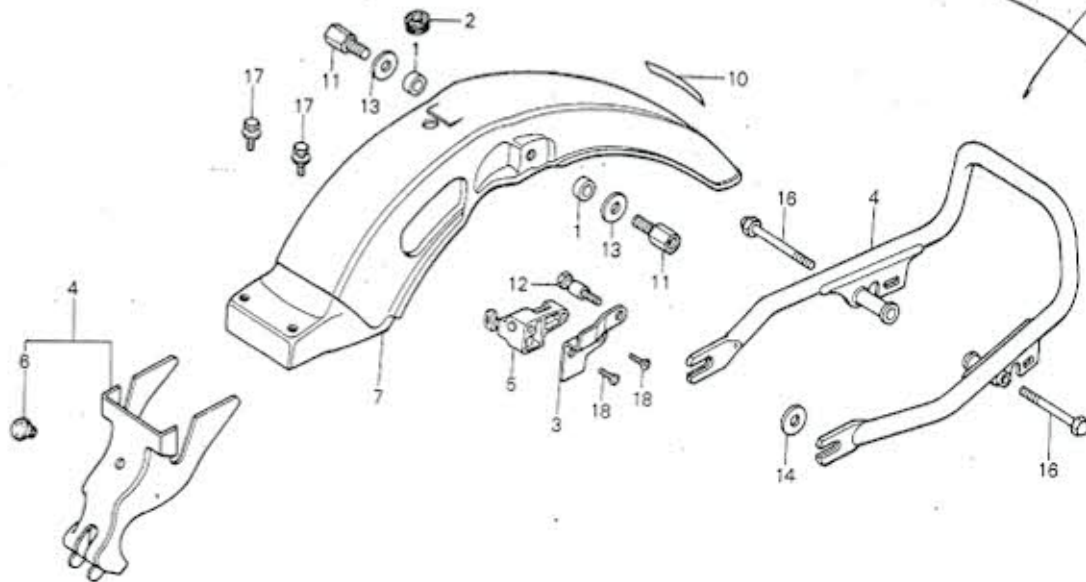
F-20-1

Rear fender
(E2)

Garde-boue arrière
(E2)

Hinterer Kotflügel
(E2)

Parafango traseo
(E2)



B402-31A

Service item	F.R.T.	Ref. No.	Part No.	Description	Req. No.		Serial No.	Area code
					CD	CD		
PIPE COMP., RR.	0.3	1	28302-369-000	COLLAR, KICK STOPPER	12	185T		
FENDER B		2	32983-011-000	GROMMET, WIRE HARNESS				E2
HOLDER ASSY., HELMET	0.1	3	50149-418-630	STAY, HELMET HOLDER	1			E2
FENDER COMP., RR.	0.5	4	50410-418-630	PIPE COMP., RR.	1			E2
		5	50710-086-007	HOLDER ASSY., HELMET (HONDA LOCK)	1			E2
		6	66892-567-680	GROMMET, SWITCH HOLE, 10MM	1			E2
		7	80100-418-6302A	FENDER COMP., RR. *NH-1*	1			E2
			80100-418-6302B	FENDER COMP., RR. *PB-54*	1			E2
		8	80101-419-000	FENDER B	1			E2
		10	87505-418-710	MARK, TIRE CAUTION	1			E2
		11	90001-419-000	BOLT, RR. FENDER SETTING	2			E2
		12	90106-428-000	BOLT, SPECIAL, 6MM	1			E2

J 7

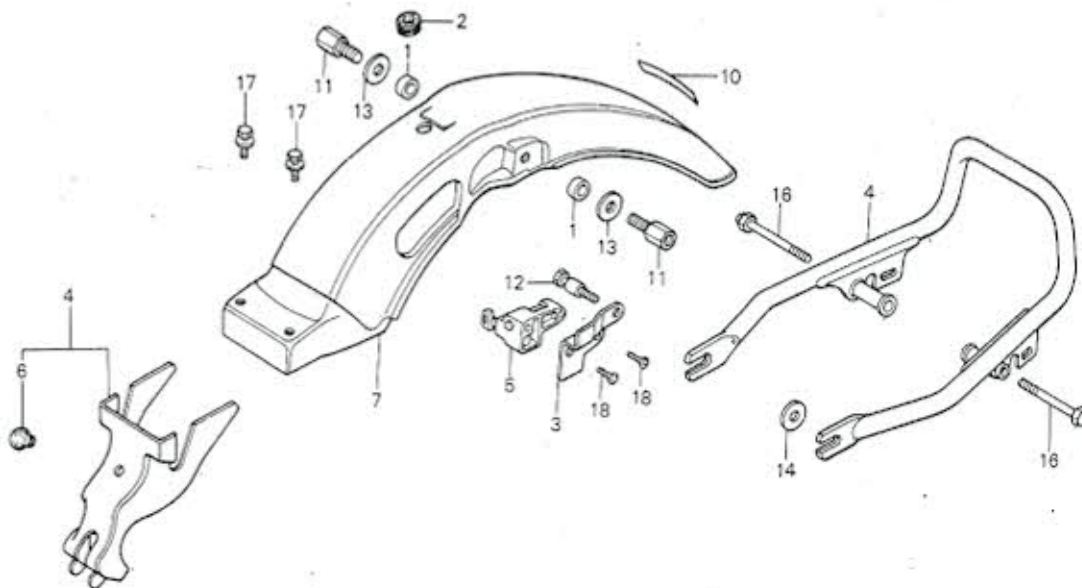
F-20-1

Rear fender
(E2)

Garde-boue arrière
(E2)

Hinterer Kotflügel
(E2)

Parafango traseo
(E2)



B402-31A

Service item	F.R.T.	Ref. No.	Part No.	Description	Reqd. No.		Serial No.	Area code
					CD 125T	CD 185T		
		13	90401-706-000	WASHER, 8MM		2		E2
		14	90526-035-000	WASHER, 12.2X26		1		E2
		16	92600-08045-0A	BOLT, CAP, 8X45		2		E2
		17	93481-06016	BOLT-WASHER, 6X16		2		E2
		18	93600-06010	SCREW, FLAT, 6X10		2		E2

J 8

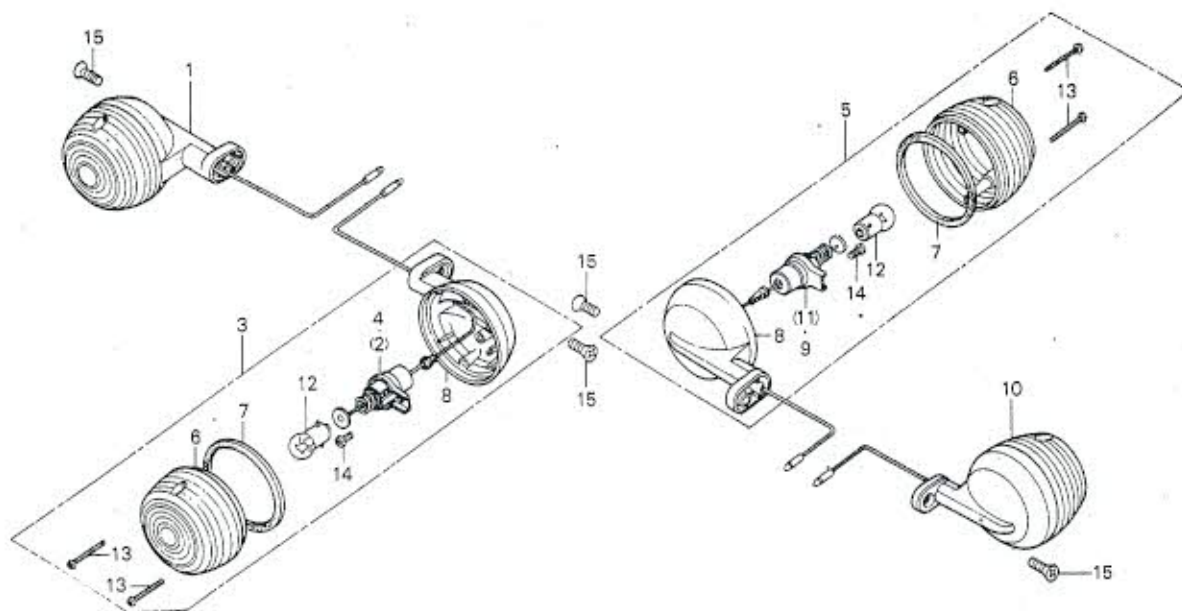
F-21

Winker
(DK, DM, NR, SA)

Clignotant
(DK, DM, NR, SA)

Blinker
(DK, DM, NR, SA)

Luz intermitente
(DK, DM, NR, SA)



B149-31

Service item	F.R.T.	Ref. No.	Part No.	Description	Reqd. CD	No. CD	Serial No.	Area code
WINKER ASSY. INC. RELATIVE PART (ADD 0.1 FOR EACH.) (EXC. RELATED PARTS BELOW)	0.2	1	33400-399-003	WINKER ASSY., R. FR. (6V 10W) (STANLEY)	1	1		DK, DM, NR, SA
		2	33405-399-003	SOCKET COMP., R. WINKER (STANLEY)	1	1		DK, DM, NR, SA
LENS, WINKER (WHEN SERVICING COMP., UNIT, F.R.T. IS 0.2.)	0.1	3	33450-399-003	WINKER ASSY., L. FR. (6V 10W) (STANLEY)	1	1		DK, DM, NR, SA
		4	33455-399-003	SOCKET COMP., L. WINKER (STANLEY)	1	1		DK, DM, NR, SA
BULB, WINKER (WHEN SERVICING COMP., UNIT, F.R.T. IS 0.2.)		5	33600-402-003	WINKER ASSY., R. RR. (6V/10W STANLEY)	1	1		DK, DM, NR, SA
		6	33602-046-751	LENS, RR. WINKER	4	4		DK, DM, NR, SA
		7	33604-041-013	PACKING, RR. WINKER LENS (STANLEY)	4	4		DK, DM, NR, SA
		8	33605-028-712XW	BASE, RR. WINKER	4	4		DK, DM, NR, SA
		9	33605-402-003	SOCKET COMP., R. WINKER (STANLEY)	1	1		DK, DM, NR, SA
		10	33650-402-003	WINKER ASSY., L. RR. (6V/10W STANLEY)	1	1		DK, DM, NR, SA

I 15

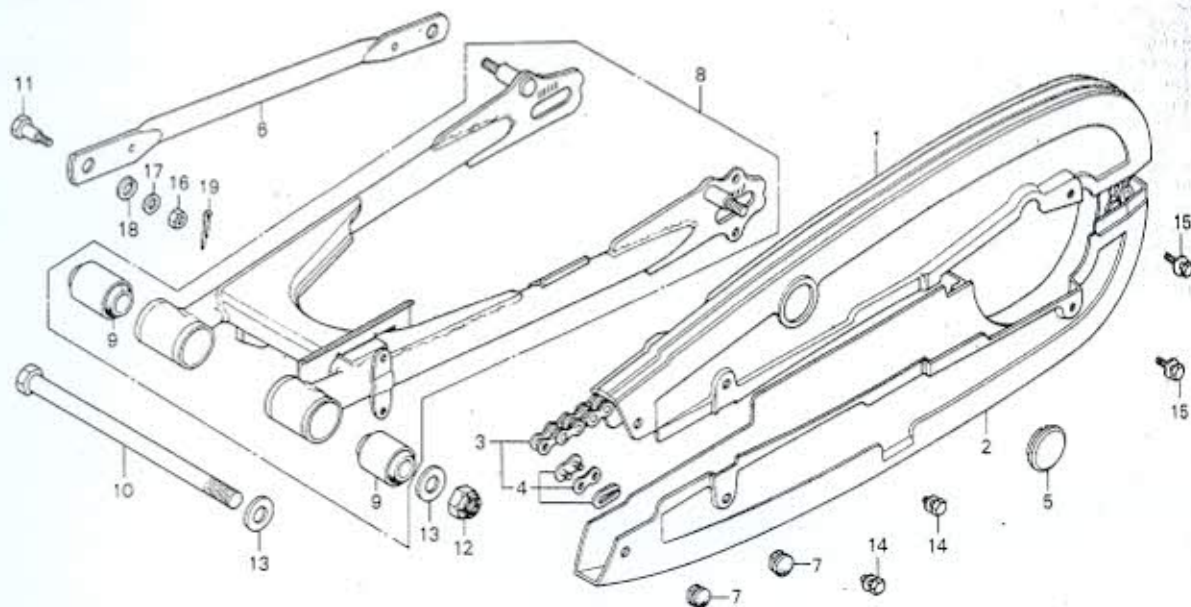
F-18

Rear fork

Fourche arrière

Hintere Schwinge

Horquilla trasera



B402-29

Service item	F.R.T.	Ref. No.	Part No.	Description	Reqd. No.		Serial No.	Area code
					CD	CD		
			40530-418-711	CHAIN, DRIVE (010428HD-112L) (DA100)	1			
		4	40531-399-003	JOINT, DRIVE CHAIN (DA100)	1			
			40531-399-005	JOINT, DRIVE CHAIN (TAKASAGO)	1			
			40531-418-711	JOINT, DRIVE CHAIN (DA100)	1			
		5	40545-001-000	CAP, CHAIN CASE PEEP HOLE	1	1		
		6	43431-360-000	ARM, RR. BRAKE STOPPER	1	1		
		7	50318-041-600	PLUG, USELESS HOLE	2	2		
		8	52100-402-000ZA	FORK COMP., RR. *NH-1*	1	1		
		9	52147-303-310	BUSH, RR. FORK PIVOT RUBBER	2	2		
		10	90121-402-000	BOLT, RR. FORK PIVOT	1	1		

I 16

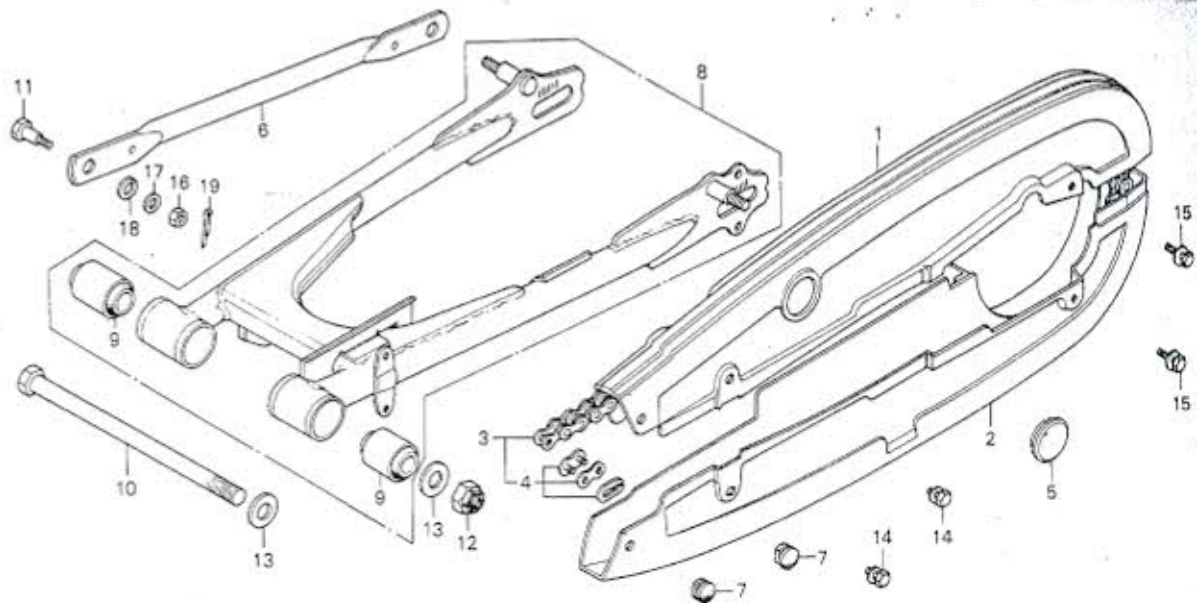
F-18

Rear fork

Fourche arrière

Hintere Schwinge

Horquilla trasera



8402-29

Service item	F.R.T.	Ref. No.	Part No.	Description	Reqd. No.		Serial No.	Area code
					CD 125T	CD 185T		
		11	90133-331-770	BOLT, RR. BRAKE STOPPER ARM	1	1		
		12	90354-268-000	NUT, SELF LOCK, 14MM	1	1		
		13	90526-268-000	WASHER, RR. FORK PIVOT BOLT	2	2		
		14	93481-06008	BOLT-WASHER, 6X8	2	2		
		15	93481-06012-00	BOLT-WASHER, 6X12	2	2		
		16	94001-08000-0S	NUT, HEX., 8MM	1	1		
		17	94101-08000	WASHER, PLAIN, 8MM	1	1		
		18	94111-10000	WASHER, SPRING, 10MM	1	1		
		19	94201-20150	PIN, SPLIT, 2.0X15	1	1		

J 1

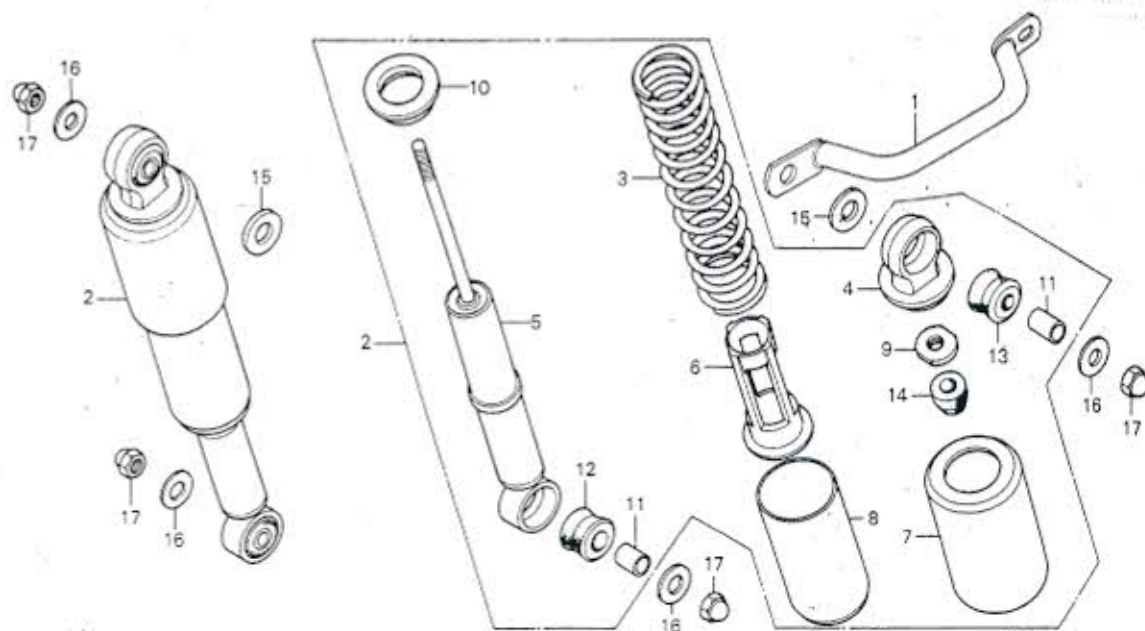
F-19

Rear cushion

Amortisseur arrière

Hinterer Stoßdämpfer

Amortiguador trasero



8418-12

Service item	F.R.T.	Ref. No.	Part No.	Description	Reqd. No.		Serial No.	Area code
					CD	185T		
GRIP COMP., SIDE CUSHION ASSY., RR. SPRING, RR. CUSHION INC. RELATIVE PART	0.1	1	50316-418-600	GRIP COMP., SIDE	1			DK,DM,E,SA
	0.3	2	52400-402-0032A	CUSHION ASSY., RR. *NH-1* (SHOWA)	2		2000013	DK,DM,E,NR,SA
		2	52400-402-0032B	CUSHION ASSY., RR. *PB-7C* (SHOWA)	2		2000013	DK,DM,E,NR,SA
		2	52400-402-0032C	CUSHION ASSY., RR. *R-4C* (SHOWA)	2		2000013	DK,DM,E,NR,SA
		2	52400-418-0032B	CUSHION ASSY., RR. *PB-7C*	2	2000014		DK,DM,E,NR,SA
		2	52400-418-0032C	CUSHION ASSY., RR. *R-4C*	2	2000014		DK,DM,E,NR,SA
		2	52400-418-0032D	CUSHION ASSY., RR. *PB-54*	2			E2
		2	52400-418-0032A	CUSHION ASSY., RR. *NH-1*	2	2000014		DK,DM,E,NR,SA
		2			2			E2
	3	52401-402-003	SPRING, RR. CUSHION (SHOWA)	2	2			
4	52403-153-003	JOINT, UPPER	2	2				

1978.10.10

J1

J 2

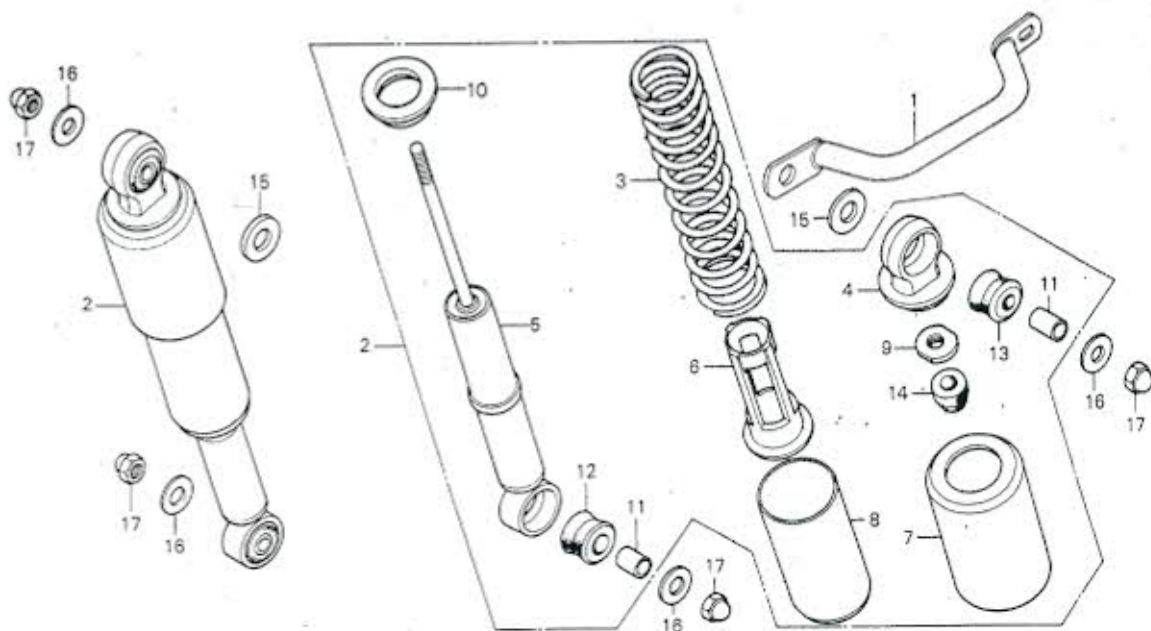
F-19

Rear cushion

Amortisseur arrière

Hinterer Stoßdämpfer

Amortiguador trasero



8418-12

Service item	F.R.T.	Ref. No.	Part No.	Description	Reqd. No. CD CD 128T 185T	Serial No.	Area code
		5	52410-402-003	DAMPER COMP., RR. (SHOWA)	2	2000013	DK,DM,E,NR,SA
			52410-418-003	DAMPER COMP., RR.	2	2000014	DK,DM,E,NR,SA E2
					2		
		6	52458-369-000	GUIDE, RR. CUSHION SPRING	2		
		7	52460-402-0032A	CASE, RR. CUSHION UPPER *NH-1* (SHOWA)	2		
			52460-402-0032B	CASE, RR. CUSHION UPPER *PB-7C* (SHOWA)	2		DK,DM,E,NR,SA
			52460-402-0032C	CASE, RR. CUSHION UPPER *R-4C* (SHOWA)	2		DK,DM,E,NR,SA
			52460-402-0032D	CASE, RR. CUSHION UPPER *PB-54*	2		E2
		8	52465-402-003	CASE, RR. CUSHION UNDER	2		
		9	52482-153-003	NUT, LOCK, 9MM	2		
		10	52485-402-003	SEAT, RR. CUSHION SPRING (SHOWA)	2	2000013	DK,DM,E,NR,SA

1978.10.10

J2*

J 3

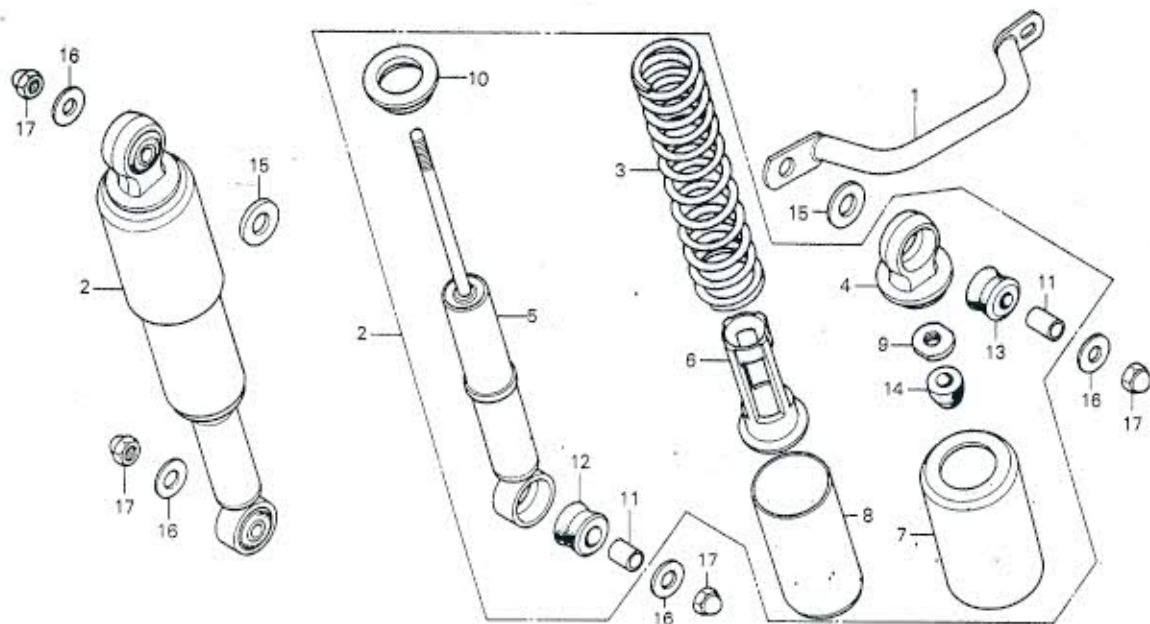
F-19

Rear cushion

Amortisseur arrière

Hinterer Stoßdämpfer

Amortiguador trasero



B418-12

Service item	F.R.T.	Ref. No.	Part No.	Description	Reqd. No. CD 125T CD 185T	Serial No.	Area code
			52485-418-003	SEAT, RR. CUSHION SPRING	2		
					2	2000014	DK,DM,E,NR,SA
					2		E2
		11	52486-056-000	COLLAR, RR. CUSHION RUBBER	4		
				BUSH	4		
		12	52488-331-003	RUBBER B, JOINT	2		
		13	52489-399-601	BUSH, UPPER RUBBER (SHOWA)	2		
		14	52517-153-003	RUBBER, STOPPER	2		
		15	90401-383-670	WASHER, PLAIN, 12MM	2		DK,DM,E,NR,SA
		16	90521-292-000	WASHER, 10.3MM	4		DK,DM,E,NR,SA
					2		E2
			94101-12000	WASHER, PLAIN, 12MM	2		E2
		17	94021-10000-05	NUT, CAP, 10MM	4		

1978.10.10

J3 -

J 9

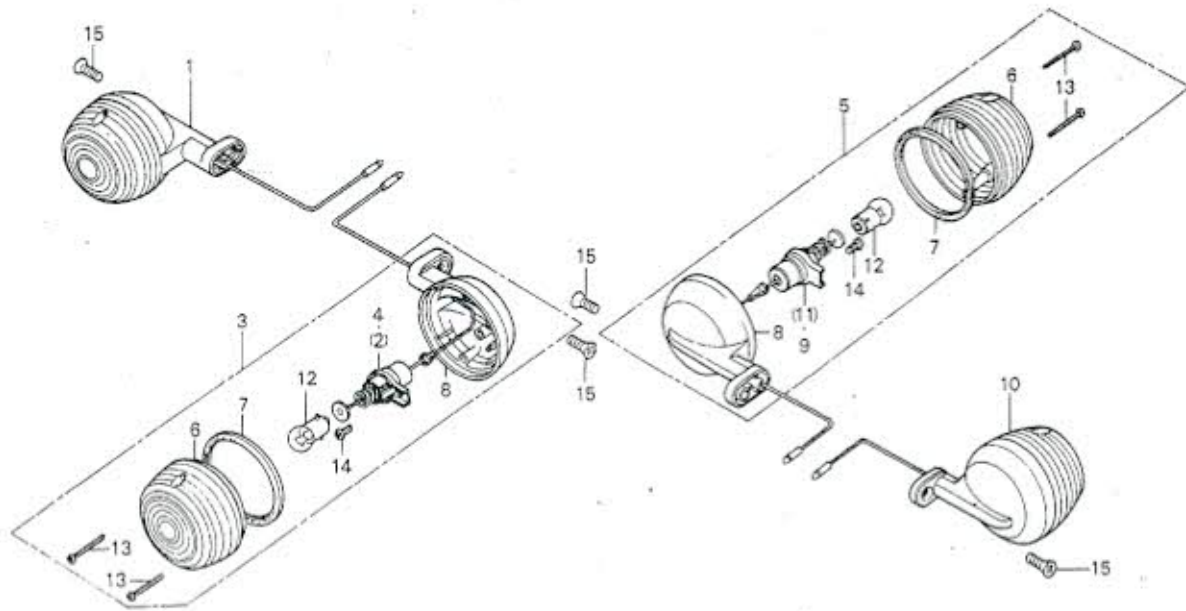
F-21

Winker
(DK, DM, NR, SA)

Clignotant
(DK, DM, NR, SA)

Blinker
(DK, DM, NR, SA)

Luz intermitente
(DK, DM, NR, SA)



8149-31

Service item	F.R.T.	Ref. No.	Part No.	Description	Reqd. No. CD CD 125T 185T	Serial No.	Area code
		11	33655-402-003	SOCKET COMP., L. WINKER (STANLEY)	1 1		DK, DM, NR, SA
		12	34905-212-000	BULB, WINKER (6V10W)	4 4		DK, DM, NR, SA
		13	93500-03025-0A	SCREW, PAN, 3X25	8 8		DK, DM, NR, SA
		14	93500-04006-0A	SCREW, PAN, 4X6	4 4		DK, DM, NR, SA
		15	93700-06016-02	SCREW, DVAL, 6X16	4 4		DK, DM, NR, SA

J 10

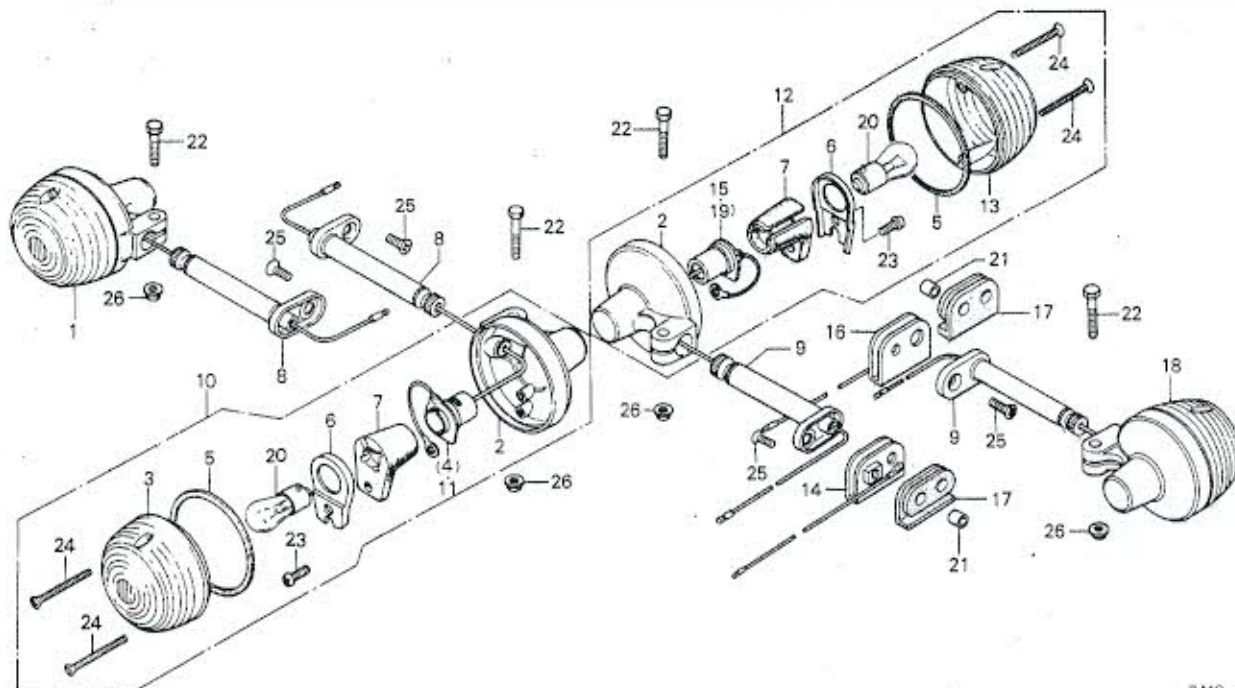
F-21-1

Winker
(E2, E)

Clignotant
(E2, E)

Blinker
(E2, E)

Luz intermitente
(E2, E)



B418-138

Service Item	F.R.T.	Ref. No.	Part No.	Description	Reqd. No. CD CD 125T 185T	Serial No.	Area code
WINKER ASSY. (ADD 0.1 FOR EACH.) INC. RELATIVE PART (EXC. RELATED PARTS BELOW)	0.2	1	33400-399-601	WINKER ASSY., R. FR. (STANLEY)	1		E2,E
LENS, WINKER (WHEN SERVICING COMP., UNIT, F.R.T. IS 0.2.)	0.1	3	33402-268-671	LENS, FR. WINKER	2		E2,E
BULB, WINKER (WHEN SERVICING COMP., UNIT, F.R.T. IS 0.2.)		4	33405-399-601	SOCKET COMP., R. WINKER (STANLEY)	1		E2,E
		5	33406-268-671	PACKING, WINKER LENS	4		E2,E
		6	33407-388-601	HOLDER, WINKER SOCKET	4		E2,E
		7	33408-341-701	RUBBER, WINKER CUSHION	4		E2,E
		8	33441-399-600	STAY, FR. WINKER	2		E2,E
		9	33441-455-670	STAY, RR. WINKER	2		E2,E
		10	33450-399-601	WINKER ASSY., L. FR. (STANLEY)	1		E2,E
		11	33455-399-601	SOCKET COMP., L. WINKER (STANLEY)	1		E2,E

1978.10.10

J10

J 11

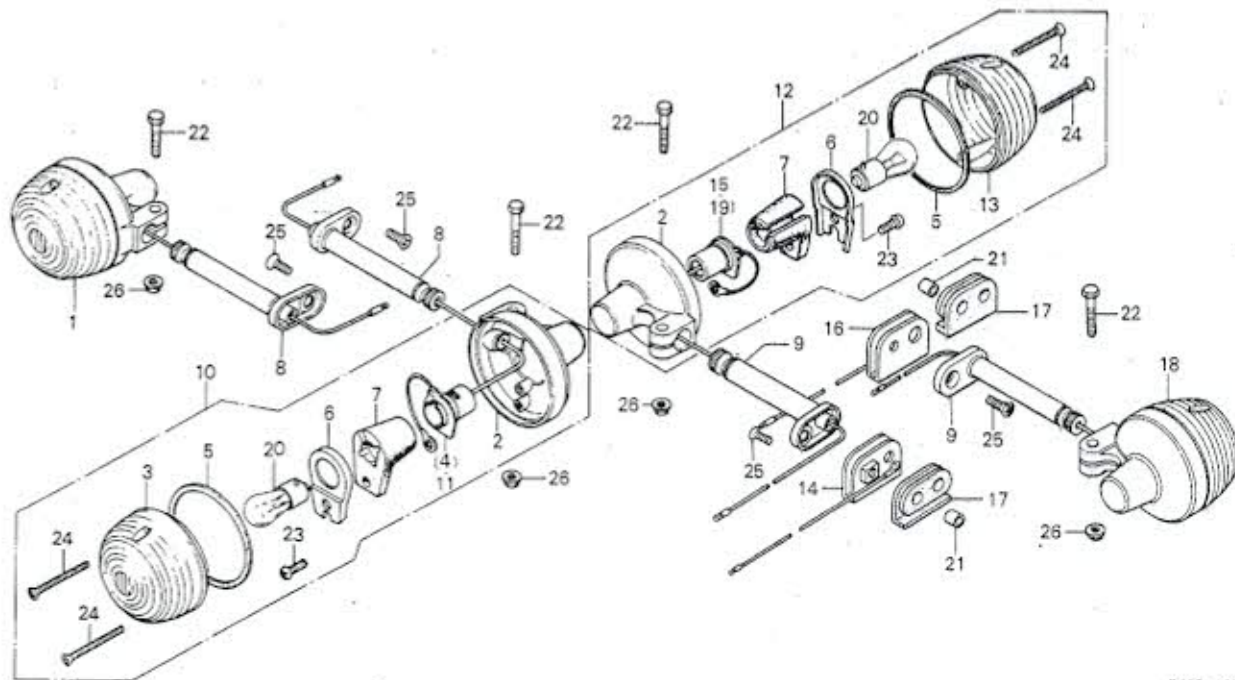
F-21-1

**Winker
(E2, E)**

**Clignotant
(E2, E)**

**Blinker
(E2, E)**

**Luz intermitente
(E2, E)**



B418-13B

Service item	F.R.T.	Ref. No.	Part No.	Description	Reqd. No. CD CD 125T 185T	Serial No.	Area code
		12	33600-418-601	WINKER ASSY., R. RR. (6V/21W STANLEY)	1		E2,E
		13	33602-323-631	LENS, RR. WINKER	2		E2,E
		14	33604-419-670	STOPPER, R. RR. WINKER	1		E2
		15	33605-418-601	SOCKET COMP., R. WINKER (STANLEY)	1		E2,E
		16	33605-419-670	STOPPER, L. RR. WINKER	1		E2
		17	33606-074-010	RUBBER, RR. WINKER MOUNT	2		E2
		18	33650-418-601	WINKER ASSY., L. RR. (6V/21W STANLEY)	1		E2,E
		19	33655-418-601	SOCKET COMP., L. WINKER (STANLEY)	1		E2,E
		20	34905-399-611	BULB, WINKER (LOCAL PURCHASE)	4		E2,E
		21	80108-061-000	COLLAR A, RR. FENDER	2		E2
		22	93000-06025-02	BOLT, HEX., 6X25	4		E2,E

J 12

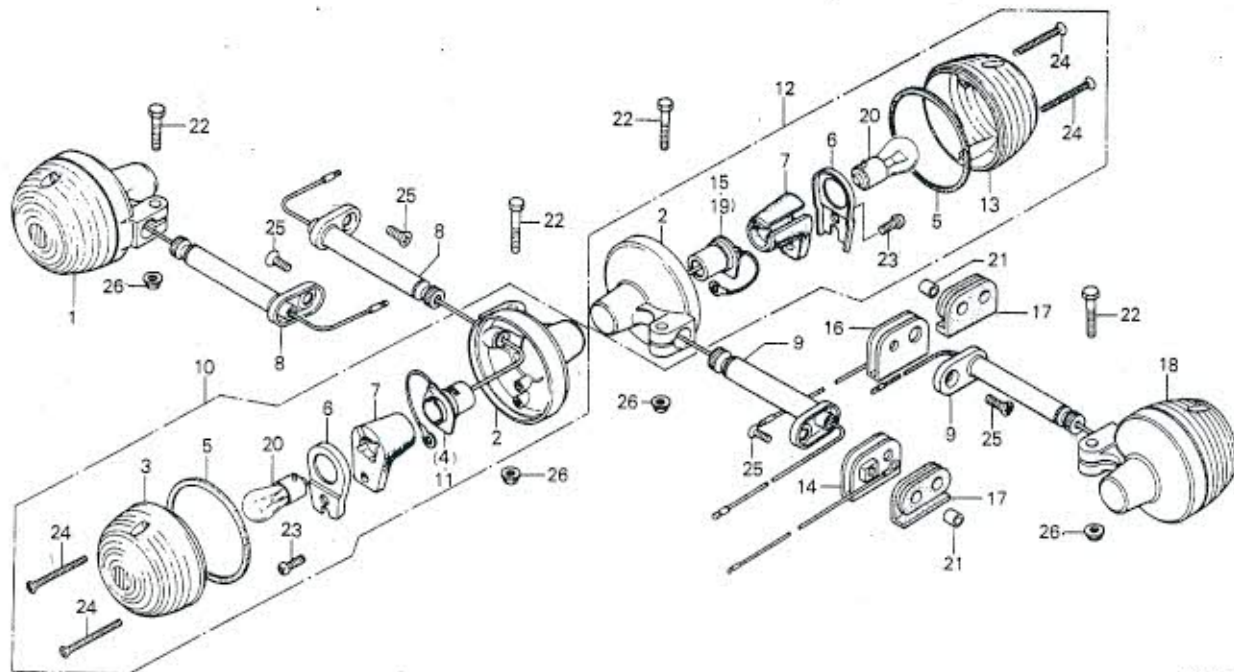
F-21-1

**Winker
(E2, E)**

**Clignotant
(E2, E)**

**Blinker
(E2, E)**

**Luz intermitente
(E2, E)**



B41B-138

Service item	F.R.T.	Ref. No.	Part No.	Description	Reqd. No. CD CD 125T 185T	Serial No.	Area code
		23	93500-05008-0H	SCREW, PAN, 5X8	4		E2,E
		24	93700-03025-0B	SCREW, OVAL, 3X25	8		E2,E
		25	93700-06016-02	SCREW, OVAL, 6X16	4		E
			93700-06028-08	SCREW, OVAL, 6X28	2		E2
			93700-06016-02	SCREW, OVAL, 6X16	2		E2
		26	94050-06000	NUT, FLANGE, 6MM	4		E2,E

J 13

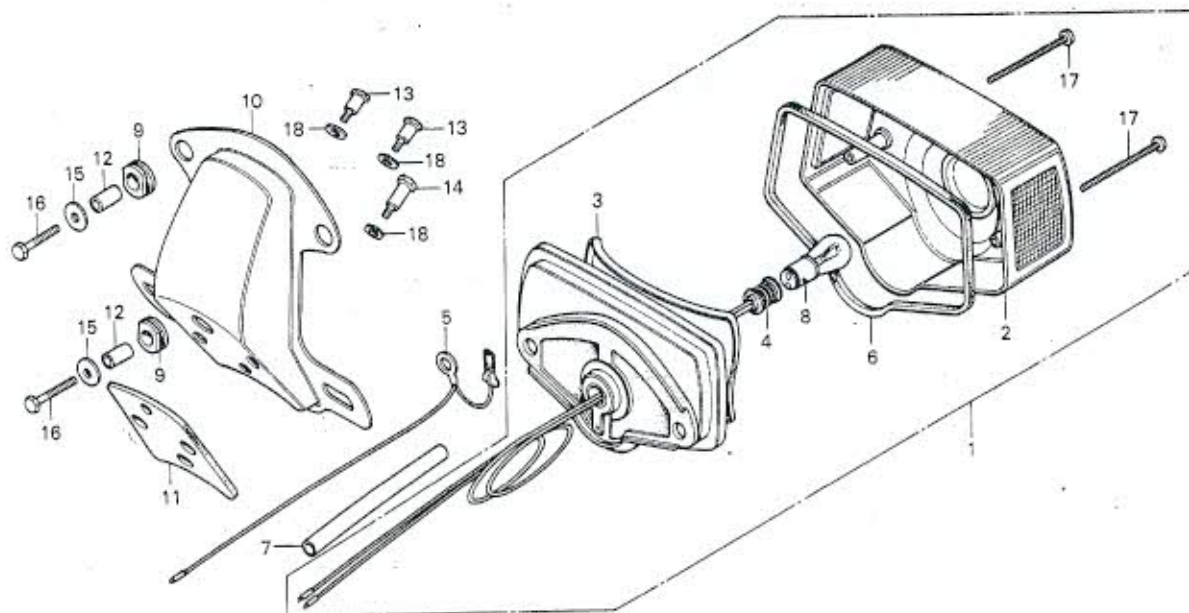
F-22

Taillight
(DK, DM, NR, SA)

Feu arrière
(DK, DM, NR, SA)

Rücklicht
(DK, DM, NR, SA)

Luz trasera
(DK, DM, NR, SA)



B402-32

Service item	F.R.T.	Ref. No.	Part No.	Description	Reqd. No.		Serial No.	Area code
					CD	CD		
					125T	185T		
TAILLIGHT UNIT	0.2	1	33701-402-003	TAILLIGHT UNIT (6V 17/5.3W) (STANLEY)	1	1		DK,DM,NR,SA
BASE COMP., TAILLIGHT	0.1	2	33702-402-003	LENS, TAILLIGHT (STANLEY)	1	1		DK,DM,NR,SA
BULB, STOP & TAILLIGHT	0.3	3	33703-402-003	BASE COMP., TAILLIGHT (STANLEY)	1	1		DK,DM,NR,SA
BRACKET, NUMBER PLATE		4	33707-402-003	CORD COMP., TAILLIGHT (STANLEY)	1	1		DK,DM,NR,SA
		5	33708-402-000	CORD, TAILLIGHT EARTH	1	1		DK,DM,NR,SA
		6	33709-077-671	PACKING, TAILLIGHT LENS	1	1		DK,DM,NR,SA
		7	33720-402-000	TUBE, WIRE CORD	1	1		DK,DM,NR,SA
		8	34906-041-671	BULB, STOP & TAILLIGHT (6V17/5.3W STANLEY)	1	1		DK,DM,NR,SA
		9	80101-283-000	RUBBER, RR. FENDER CUSHION	2	2		DK,DM,NR,SA
		10	84701-402-000ZA	BRACKET, NUMBER PLATE *NH-1*	1	1		DK,DM,NR,SA
		11	84705-303-303	SEAT, NUMBER PLATE BRACKET	1	1		DK,DM,NR,SA

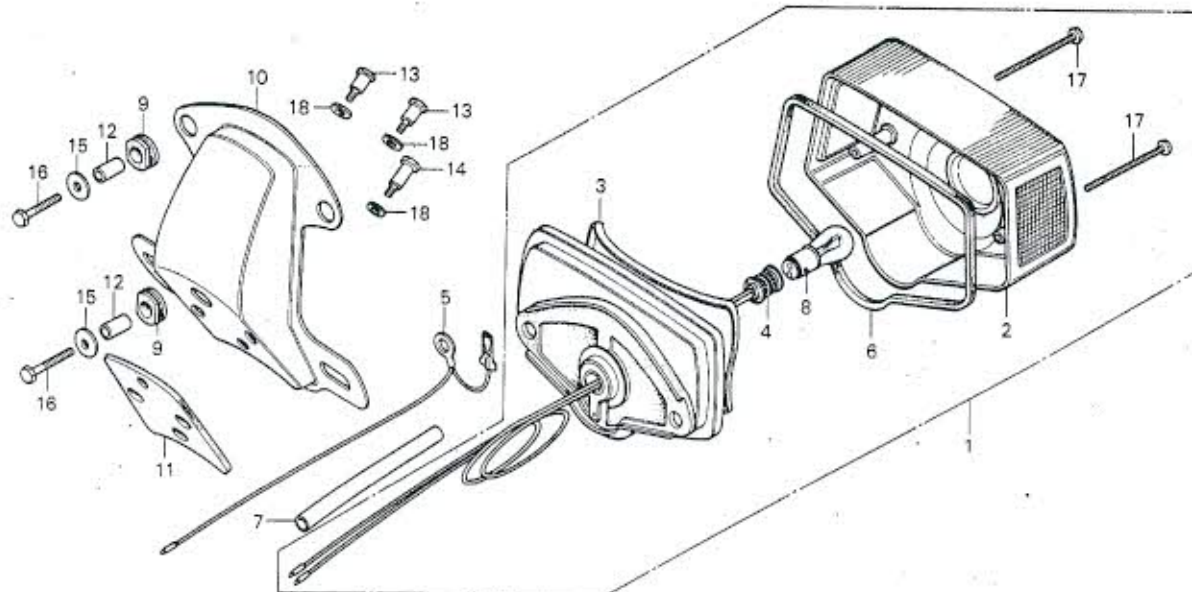
J 14**F-22**

Taillight
(DK, DM, NR, SA)

Feu arrière
(DK, DM, NR, SA)

Rücklicht
(DK, DM, NR, SA)

Luz trasera
(DK, DM, NR, SA)



B402-32

Service item	F.R.T.	Ref. No.	Part No.	Description	Reqd. No.		Serial No.	Area code
					CD	CD		
		12	84706-378-000	COLLAR, TAILLIGHT UNIT	2	2		DK, DM, NR, SA
		13	90163-303-000	BOLT B, NUMBER PLATE SETTING	2	2		DK, DM, NR, SA
		14	90164-303-000	BOLT A, NUMBER PLATE SETTING	1	1		DK, DM, NR, SA
		15	90581-342-000	WASHER, 20MM	2	2		DK, DM, NR, SA
		16	92000-05025-0A	BOLT, HEX., 5X25	2	2		DK, DM, NR, SA
		17	93500-04050-0A	SCREW, PAN, 4X50	2	2		DK, DM, NR, SA
		18	94101-08000	WASHER, PLAIN, 8MM	3	3		DK, DM, NR, SA

J 15

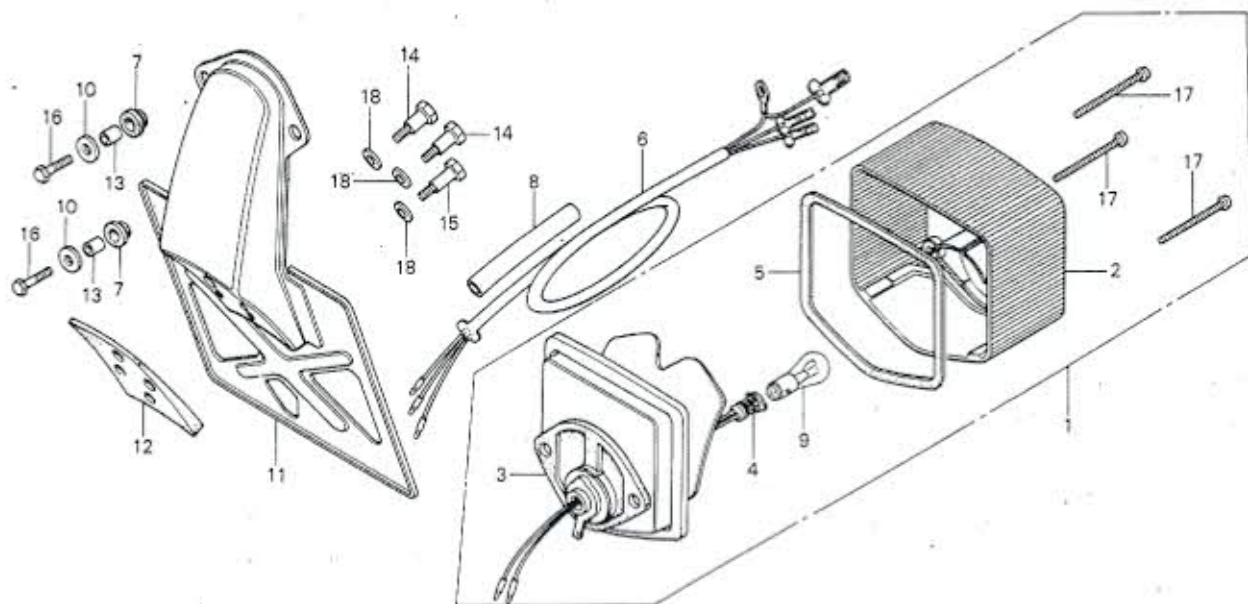
F-22-1

Taillight
(E2, E)

Feu arrière
(E2, E)

Rücklicht
(E2, E)

Luz trasera
(E2, E)



8418-14

Service item	F.R.T.	Ref. No.	Part No.	Description	Reqd. No.		Serial No.	Area code
					CD	CD		
TAILLIGHT UNIT	0.2	1	33701-399-611	TAILLIGHT UNIT (STANLEY)		1		E2,E
BASE COMP., TAILLIGHT		2	33702-388-602	LENS, TAILLIGHT		1		E2,E
LENS, TAILLIGHT	0.1	3	33703-388-601	BASE COMP., TAILLIGHT		1		E2,E
BRACKET, NUMBER PLATE	0.3	4	33708-341-671	CORD COMP., TAILLIGHT		1		E2,E
		5	33709-092-671	PACKING, TAILLIGHT LENS		1		E2,E
		6	33711-418-600	SUB HARNESS, TAILLIGHT		1		E
			33711-419-670	SUB HARNESS, TAILLIGHT		1		E2
		7	33719-077-671	PACKING B, TAILLIGHT BASE		2		E2,E
		8	33720-402-000	TUBE, WIRE CORD		1		E
		9	34905-149-611	BULB, STOP & TAILLIGHT (LOCAL PROCUREMENT PART)		1		E2,E
		10	37314-061-810	WASHER, PLAIN, 5.5MM		2		E2,E
		11	84701-419-640ZA	BRACKET, NUMBER PLATE *NH-1*		1		E2,E

1978.10.10

J15

J 16

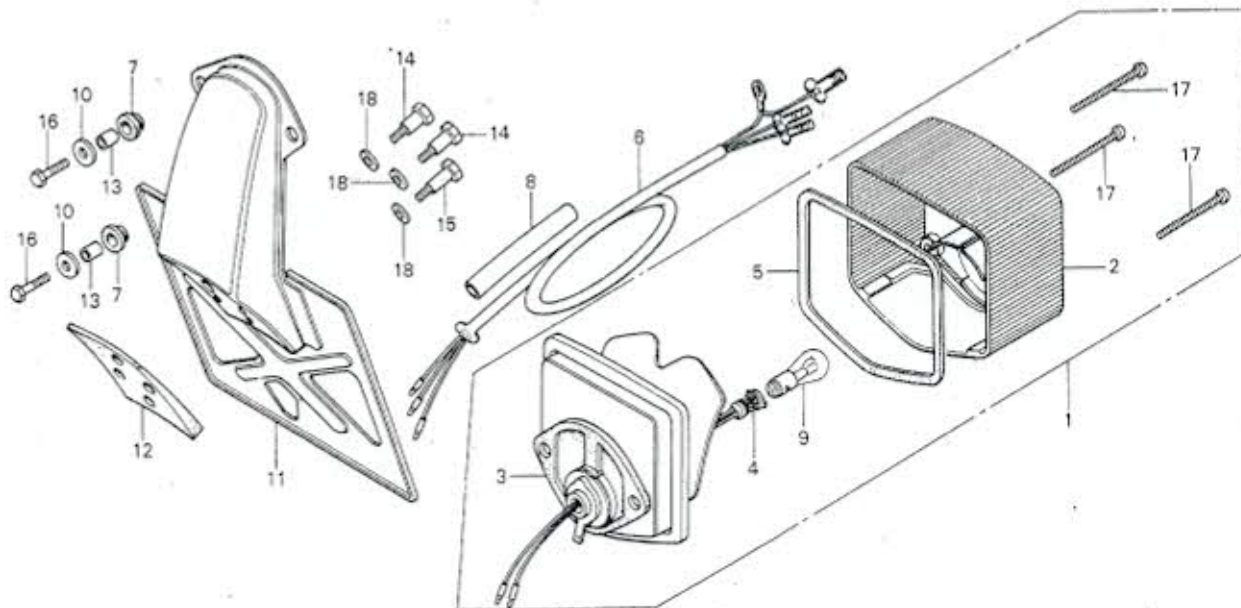
F-22-1

Taillight
(E2, E)

Feu arrière
(E2, E)

Rücklicht
(E2, E)

Luz trasera
(E2, E)



B418-14

Service item	F.R.T.	Ref. No.	Part No.	Description	Reqd. No.		Serial No.	Area code
					CD	CD		
		12	84705-303-303	SEAT, NUMBER PLATE BRACKET		1		E2,E
		13	84706-342-000	COLLAR, TAILLIGHT UNIT		2		E2,E
		14	90163-303-000	BOLT B, NUMBER PLATE SETTING		2		E2,E
		15	90164-303-000	BOLT A, NUMBER PLATE SETTING		1		E2,E
		16	92000-05020-0A	BOLT, HEX., 5X20		2		E2,E
		17	93500-04055-0A	SCREW, PAN, 4X55		3		E2,E
		18	94101-08000	WASHER, PLAIN, 8MM		3		E2,E

1978.10.10

J16

K 1

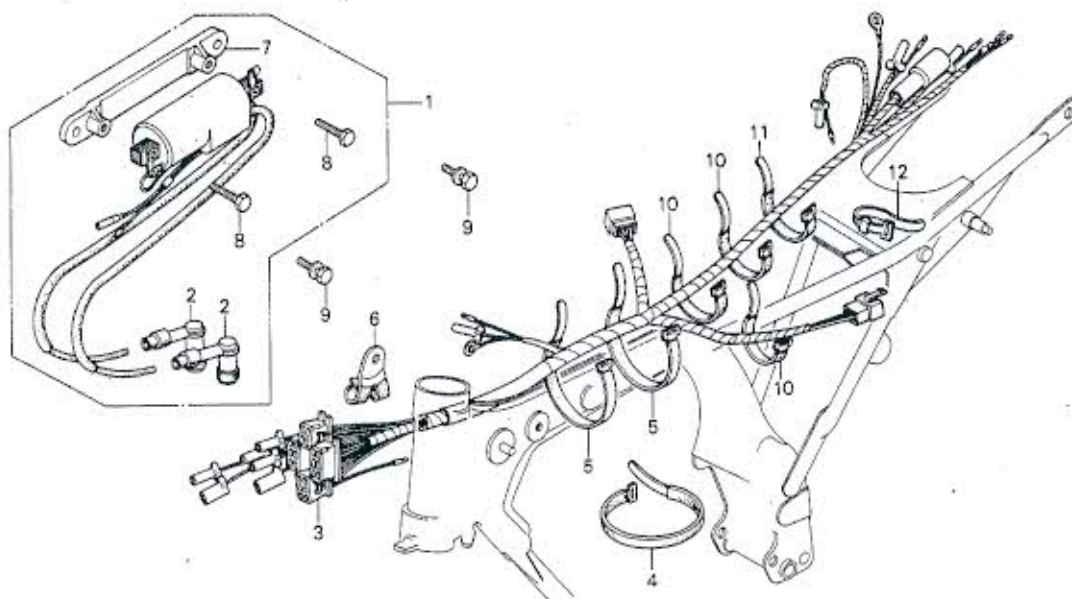
F-23

Wire harness • Ignition coil

Faisceau électrique •
Bobine d'allumage

Kabelbaum • Zündspule

Equipo de alambre •
Bobina de encendido



8402-33A

Service item	F.R.T.	Ref. No.	Part No.	Description	Reqd. No.		Serial No.	Area code
					CD 125T	CD 185T		
COIL ASSY., IGNITION STAY, IGNITION COIL HARNES, WIRE	0.2	1	30500-402-003	COIL ASSY., IGNITION (TOYO)	1	1		
	1.3	2	30700-152-153	CAP ASSY., NOISE SUPPRESSOR (NICHIMA)	2	2		
		3	32100-402-000	HARNES, WIRE A	1	1		
	4	32161-399-000	BAND, WIRE	1	1	2071119		
	5	32161-402-000	BAND, WIRE	2	2			
	6	45464-399-000	CLIP, WIRE HARNES	1	1			
	7	50358-402-000	STAY, IGNITION COIL	1	1			
	8	92000-06025	BOLT, HEX., 6X25	2	2			
	9	93481-06016-00	BOLT-WASHER, 6X16	2				
			93481-06020-00	BOLT-WASHER, 6X20	2	2	2079434	2079433
	10	95014-61100	BAND A1, WIRE	3	3			
	11	95014-61200	BAND A2, WIRE	1	1			
12	95014-62100	BAND B1, WIRE	1	1				

1978.10.10

K1

K 2

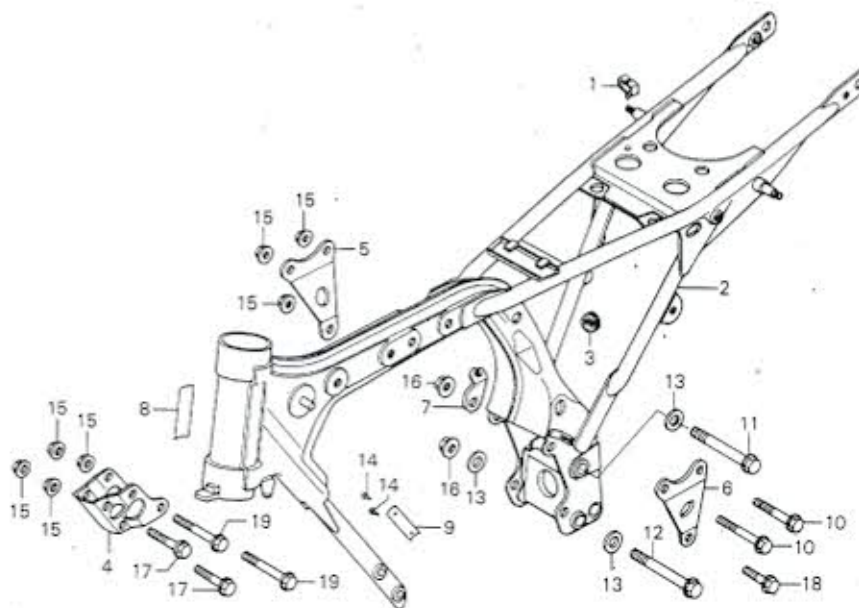
F-24

Frame body

Cadre

Rahmen

Cuerpo de cuadro



B418-15

Service item	F.R.T.	Ref. No.	Part No.	Description	Reqd. No.		Serial No.	Area code	
					CD 125T	CD 185T			
BODY COMP., FRAME PLATE, FR. ENGINE HANGER PLATE, ENGINE UPPER HANGER	*5.8 0.2	1	32985-300-000	GROMMET, WIRE CORD	1	1			
		2	50100-402-000ZA	BODY COMP., FRAME *NH-1*	1				
			50100-418-600ZA	BODY COMP., FRAME *NH-1*	1			2086044	DK,DM,NR,SA
			50100-402-010ZA	BODY COMP., FRAME *NH-1*	1			2086045	E2,E DK,DM,NR,SA
		3	50163-063-000	GROMMET, FEED TUBE	1	1			DK,DM,E,NR,SA
		4	50351-402-000ZA	PLATE, FR. ENGINE HANGER *NH-1*	1	1			
		5	50353-402-000ZA	PLATE, R. ENGINE UPPER HANGER *NH-1*	1				
			50353-402-010	PLATE, R. ENGINE UPPER HANGER	1			2071118	
			50353-402-020	PLATE, R. ENGINE UPPER HANGER	1			2071119	2086099
			50353-402-020	PLATE, R. ENGINE UPPER HANGER	1			2086100	
		6	50354-402-000ZA	PLATE, L. ENGINE UPPER HANGER *NH-1*	1	1			
		7	50356-399-010	RECEIVER, CLUTCH CABLE	1	1			

K 3

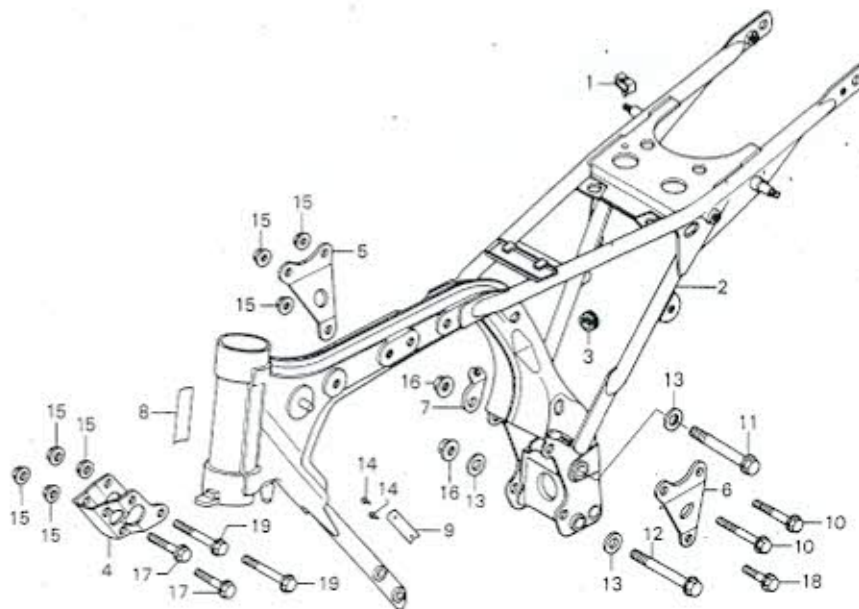
F-24

Frame body

Cadre

Rahmen

Cuerpo de cuadro



9416-15

Service item	F.R.T.	Ref. No.	Part No.	Description	Reqd. No.		Serial No.	Area code
					CD	CD		
		8	87125-041-680	PLATE, NAME	1	1		DK, DM, NR, SA
		9	87501-418-600	PLATE, REGISTERED NUMBER		1		E2, E
		10	90010-392-000	BOLT, FLANGE, 8X85	2	2		
		11	90018-399-010	BOLT, FLANGE, 10X115	1	1		
		12	90019-399-010	BOLT, FLANGE, 10X110	1	1		
		13	90442-283-000	WASHER B, SEALING, 10MM	3	3		E2, E
		14	90841-001-000	SCREW, RIVET, 1.5X5		2		
		15	94050-08000	NUT, FLANGE, 8MM	7	7		
		16	94050-10000	NUT, FLANGE, 10MM	2	2		
		17	95700-08055-00	BOLT, FLANGE, 8X55	2	2		
		18	95800-08035-00	BOLT, FLANGE, 8X35	1	1		
		19	95800-08065-00	BOLT, FLANGE, 8X65	2	2		

1978.10.10

K3

K 4

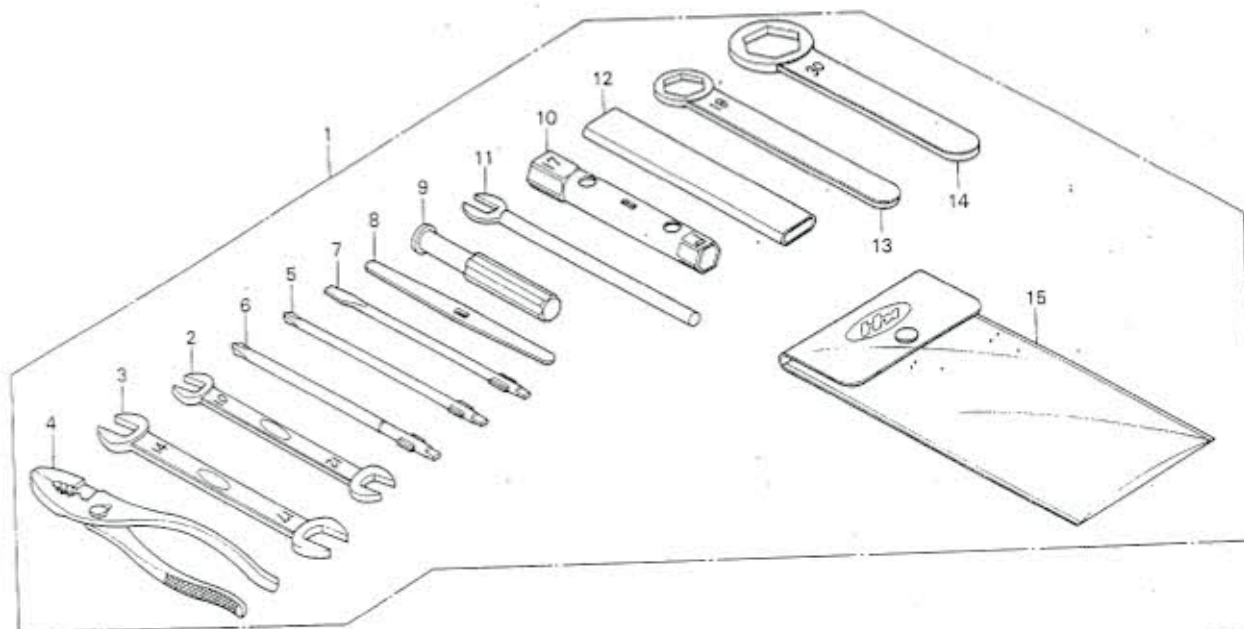
F-25

Tool

Outils

Werkzeug

Herramientas



B402-35

Service item	F.R.T.	Ref. No.	Part No.	Description	Reqd. No.		Serial No.	Area code
					CD	CD		
		1	89010-402-000	TOOL SET	1	1		
		2	99001-10120	SPANNER, 10X12	1	1		
		3	99001-14170	SPANNER, 14X17	1	1		
		4	99002-13500	PLIERS, 135	1	1		
		5	99003-10000	DRIVER 2, PLUS SCREW	1	1		
		6	99003-20000	DRIVER 3, PLUS SCREW	1	1		
		7	99003-30000	DRIVER 2, MINUS SCREW	1	1		
		8	99003-40000	LEVER	1	1		
		9	99003-50000	GRIP	1	1		
		10	99004-16170	WRENCH, BOX, P16X17	1	1		
		11	99005-02000	BAR 8, HANDLE	1	1		
		12	99006-12000	HANDLE, EYE WRENCH, 120MM	1	1		
		13	99006-19000	WRENCH, EYE, 19MM	1	1		
		14	99006-30000	WRENCH, EYE, 30MM	1	1		
		15	99008-02000	BAG, TOOL, 200MM	1	1		

1578.10.10

K4

Part No.	Address No.													
		37244-307-670	J5	43120-362-000	H7	50500-402-000ZA	I11	52400-418-003ZA	J1	61304-399-000	J4			
		37314-061-810	J15	43141-399-000	H3	50522-402-000	I11	52400-418-003ZB	J1					
		37551-001-000	E1		H7	50523-107-000	I11	52400-418-003ZC	J1	66000				
		38000		43145-399-000	H3	50526-399-000	I11	52400-418-003ZD	J1					
					H7	50530-402-000	I11	52401-402-003	J1	66892-567-680	J4			
				43151-329-000	H3	50603-033-000	I11	52403-153-003	J1					
					H7	50610-418-630ZA	I11	52410-402-003	J2					
				43410-402-000	H7	50610-418-710ZA	I11	52410-418-003	J2	77000				
				43431-360-000	I15	50612-402-000ZA	I11	52458-369-000	J2					
				43434-286-000	H7	50616-312-010	I11	52460-402-003ZA	J2	77100-402-000	H15			
				43451-377-000	I9	50617-329-000	I11	52460-402-003ZB	J2	77200-418-600	H15			
						50636-402-000ZA	I12	52460-402-003ZC	J2	77201-074-000	H15			
				44000		50642-312-010	I12	52460-402-003ZD	J2	77205-292-010	H15			
						50644-329-000	I12	52465-402-003	J2	77207-418-600	H15			
				44312-402-000	H5	50646-402-000ZA	I12	52482-153-003	J2	77300-418-710	H15			
				44601-402-000	H5	50661-312-000	I12	52485-402-003	J2					
				44620-230-000	H5	50710-086-007	J4	52485-418-003	J3	80000				
				44701-419-671	H5			52486-056-000	J3					
					H9	50710-405-000	I12	52488-331-003	J3	80100-402-000ZA	J4			
				44711-353-006	H5	50711-402-000	I12	52489-399-601	J3	80100-402-000ZB	J4			
				44711-402-009	H5	50712-402-000	I12	52517-153-003	J3	80100-402-000ZC	J4			
				44712-303-006	H5	50712-405-000	I12			80100-418-630ZA	J6			
					H10	50715-405-000	I12	53000		80100-418-630ZB	J6			
				44713-200-006	H5					80100-418-710	J4			
					H10	51000		53100-402-000	J10	80101-283-000	J13			
				44804-402-003	H3			53100-418-630	J10	80101-419-000	J4			
				44809-402-000	H3	51400-402-003	J14	53130-419-000	J10					
				44830-402-000	J6	51401-402-003	J14	53165-390-780	J8	80108-061-000	J11			
				44831-402-000	J6	51410-402-003	J14	53166-390-780	J8	80108-402-000	J4			
						51421-402-003	J14	53171-351-000	J8	80110-402-000	J4			
						51432-388-003	J14	53172-402-000	J8					
				45000		51437-373-781	J14	53175-369-700	J8	81000				
				45010-402-003	H3	51452-353-000	J14	53178-369-700	J8					
				45134-250-000	H3	51470-399-003	J14	53192-268-000	J8	81200-418-710	H15			
					H7	51500-402-003	J14	53200-402-000ZA	J11					
				45410-402-000	H3	51521-402-003	J15	53200-418-600ZA	J11	83000				
				45435-121-010	H3	51608-235-000	J15	53211-028-000	J11					
				45435-250-000	H3	51610-402-000ZA	J15	53212-030-000	J11	83540-402-000ZA	I1			
				45450-402-000	J8	51610-402-000ZB	J15	53214-001-010	J11	83540-402-000ZB	I2			
				45450-418-630	J8	51610-402-000ZC	J15	53215-001-000	J11	83540-402-000ZC	I2			
				45464-399-000	K1	51610-418-600ZA	J15	53220-074-000	J11	83540-402-000ZD	I2			
				45465-341-700	J8	51610-418-600ZB	J15	53231-402-000	J11	83542-402-000	I2			
						51610-418-600ZC	J15	53438-611-000	D4	83551-300-000	I2			
				46000		51610-418-600ZD	J15	53600-051-000	J11	83606-356-000	I5			
				46500-402-000	I9	51611-402-000ZA	J15	53600-086-007	J11	83618-323-000	I2			
				46500-418-630	I9	51611-402-000ZB	J16	53603-051-000	J11	83640-402-000ZA	I2			
				46514-107-010	I10	51611-402-000ZC	J16	53604-098-940	J12	83640-402-000ZB	I2			
						51611-402-000ZD	J16			83640-402-000ZC	I2			
				50000		51612-402-000ZA	J16	61000		83640-402-000ZD	I2			
				50100-402-000ZA	K2	51612-402-000ZB	J16	61100-402-680ZA	J13	83642-355-000	I2			
				50100-402-010ZA	K2	51612-402-000ZC	J16	61100-402-680ZB	J13	83642-402-000	I2			
				50100-418-600ZA	K2	51612-402-000ZD	J16	61100-402-680ZC	J13					
				50149-418-630	J6	51620-402-000ZB	J16	61100-418-630ZA	J13	84000				
				50163-063-000	K2	51620-402-000ZC	J16	61100-418-630ZB	J13	84701-402-000ZA	J13			
				50301-041-000	J10	51620-418-600ZA	H1	61100-418-710	J13	84701-419-640ZA	J15			
				50316-418-600	J1	51620-418-600ZB	H1	61103-357-000	J4	84705-303-303	J13			
				50318-041-600	I15	51620-418-600ZC	H1		H15					
				50325-402-000	I1	51620-418-600ZD	H1	61301-399-000ZA	J3	84706-372-000	J16			
				50351-402-000ZA	K2	51622-216-670	H1		J4	84706-348-000	J14			
				50353-402-000ZA	K2	51641-453-000	H1	61301-399-000ZB	J3					
				50353-402-010	K2				J4					
				50353-402-020	K2	52000		61301-399-000ZC	J3	87000				
				50354-402-000ZA	K2	52100-402-000ZA	I15	61301-399-000ZD	J4	87121-418-630	H14			
				50356-399-010	K2	52147-303-310	I15	61303-402-000	J3	87122-418-630	H14			
				50358-402-000	K1	52400-402-003ZA	J1		J4	87125-041-680	K3			
				50410-418-630	J6	52400-402-003ZB	J1	61304-292-000	J3	87134-402-000	I2			
						52400-402-003ZC	J1		J4	87134-418-600	I2			
								61304-399-000	J3					

Part No.	Address No.	N° de pièce	N° de Adresse	Teile-Nr	Adresse-Nr.	No. de pieza	No. de direccion			
	80155-389-000	G12	91251-230-003	H4	93500-05016-08	G4	94111-05000	G3	95700-06065-00	D6
	90163-303-000	J14	91252-230-003	H5	93500-05025-0A	G9		G4	95700-08020-00	I13
	90164-028-000	J16	91254-353-010	H1	93500-06012	J6	94111-06000	D5	95700-08055-00	K3
	90164-303-000	J12	91255-315-003	H2	93500-06022	D2	94111-06800	I3	95700-10020-00	I13
	90202-567-000	J14	91301-027-000	C10	93500-06025	D4	94111-10000	I16	95700-10025-00	I13
	90206-001-000	J16	91301-200-000	C4	93500-06028	C10	94201-16120	I10	95800-08035-00	K3
	90305-401-680	D9	91301-805-000	C4		D2	94201-16150	I13	95800-08065-00	K3
	90307-200-000	C7	91302-303-000	C5	93500-06035	C10	94201-20150	I16		
	90315-504-000	H5	91304-704-000	H10	93500-06040	D2	94201-20180	H8	96000	
	90321-315-670	H10	91305-323-000	C9		D6	94201-20200	H4		
	90354-268-000	I3	91307-035-000	C10	93500-06050	D2		H8	96100-60010	C11
	90355-369-000	J9	91319-323-000	C13	93500-06065	D5	94201-30250	H6	96100-60060	D13
	90401-149-000	I16	91351-121-710	D10	93500-06070	C10		H10	96120-60050-10	H10
	90401-383-670	J12		J6	93500-06080	D2		I10	96120-62020	D13
	90401-399-000	C14	92000		93500-06090	D2	94251-06000	C9	96140-62020-10	H11
	90402-399-000	J3			93600-06010	J7	94301-08140	C10	96140-62040	D13
	90426-122-000	D9			93600-06016	D10		D6	96140-63020-10	H6
	90442-035-000	J7	92000-05020-0A	C13	93600-06020	D2	94301-10160	C2		H11
	90442-283-000	C7	92000-05025-0A	J16	93600-06032	C13		C5	96211-06000	J12
	90451-107-000	C15	92000-06008	J14	93700-03006-0J	H14	94301-12200	D6	96211-08000	I10
	90451-365-000	C9	92000-06010	H2	93700-03010-0J	H14	94303-04065	C13	96220-20138	D10
	90452-701-000	K3	92000-06020	H14	93700-03025-08	J12	94305-40162	C10		
	90453-107-000	D12	92000-06022	D13	93700-05016-0A	H4	94510-18000	C14	97000	
	90454-107-000	D12	92000-06025	I10	93700-05020-08	C15	94510-20000	C7		
	90455-107-000	D12		I6	93700-06016-02	J9		C11	97230-41138-10	H6
	90461-107-000	C11	92000-06028	J5		J12	94601-14000	D9	97395-52143-10	H11
	90483-028-000	C2	92000-06032	I10	94000	J12	94605-27101	H2	97716-41137-10	H6
	90486-028-000	C9	92100-06010	D4			94608-30000	H2	97743-52142-10	H11
	90503-011-000	J12	92100-06028	D10	94001-06000	C4	95000		98000	
	90505-116-670	I10	92100-06032	D10		C5	95001-35300-40	D16	98056-57711	C4
	90512-303-000	I10	92600-08045-0A	J7		C9	95001-35330-40	E1	98056-57716	C4
	90521-292-000	J3	92700-06045	C4		D10	95001-45120-40	H14	98056-57722	C4
	90524-030-000	H4	92800-12000	D6		J9	95002-02070	D16	98056-57726	C4
	90525-030-000	H8				H8		E2	98200-12000	I3
	90526-035-000	J6	93000			H10	95002-02080	H14	98202-65240	I3
	90526-268-000	J7				H16	95002-02120	D6		
	90541-371-000	I16	93000-06025-02	J11	94001-08000-05	C2	95002-30000	I6	99000	
	90543-273-000	C2	93481-06008	I16		H8	95003-08035-10	I6		
	90544-283-000	H1	93481-06012-00	I3		I16	95011-40000	I10	99001-10120	K4
	90563-355-000	H1	93481-06016-00	H15	94002-06000	D5	95011-61000	I8	99001-14170	K4
	90581-342-000	H15	93481-06020-00	K1	94002-06080	I3	95012-17000	I3	99002-13500	K4
	90601-107-000	I6	93481-08016-00	J12	94011-14000-05	H10	95014-15100	H8	99003-10000	K4
	90601-149-000	J5	93481-08016-07	J12	94021-06000	J6	95014-15200	H10	99003-20000	K4
	90601-353-000	J14	93481-08020-00	H16	94021-10000-05	J3	95014-51100	J9	99003-30000	K4
	90605-200-000	D12	93481-08025-00	I13	94030-10000	I13	95014-61100	K1	99003-40000	K4
	90701-250-000	H1	93481-08040-00	J12	94050-06000	H4	95014-61200	K1	99003-50000	K4
	90701-399-000	D1	93482-06010-00	J5		H8	95014-62100	K1	99004-16170	K4
	90703-399-000	C2	93483-08025-00	J4		I6	95014-72102	I13	99005-02000	K4
	90841-001-000	D9	93500-03025-0A	J9	94050-08000	K3	95014-73300	I10	99006-12000	K4
	90881-246-000	K3	93500-04006-0A	J9	94070-08080	I8	95014-92100	D13	99006-19000	K4
	90885-292-000	D9	93500-04016-0H	D16	94101-05000	C15	95015-32001	H4	99006-30000	K4
	90106-428-000	J6	93500-04025-0A	I6	94101-06000	I13		I10	99008-02000	K4
	90108-283-000	I13	93500-04050-0A	J14	94101-08000	I13	95015-42000	H4	99101-393-1050	E2
	90111-362-000	J12	93500-04055-0A	J16		I16		I10	99101-393-1080	D16
	90114-310-000	J9	93500-05008-0H	J12		J14	95700-06012-00	D2		
	90114-329-000	J9	93500-05010-0A	C13	94101-12000	J3		J12		
	90116-283-010	H1	93500-05012-0H	D16	94102-14000	H4		J13		
	90119-258-000	H7	93500-05012	C15		H5	95700-06016-00	D15		
	90121-402-000	H10	93500-05016-08	J3		H5	95700-06020-00	C11		
	90121-402-000	I15				D6	95700-06032-00	I6		
	90123-402-000	C15				D16	95700-06035-00	H4		
	90125-399-000	C9				E1		H8		
	90127-400-000	H7				D16	95700-06040-00	D6		
	90128-402-000	H10				D16	95700-06065-00	C4		
	90133-331-770	I16								

