

E 1

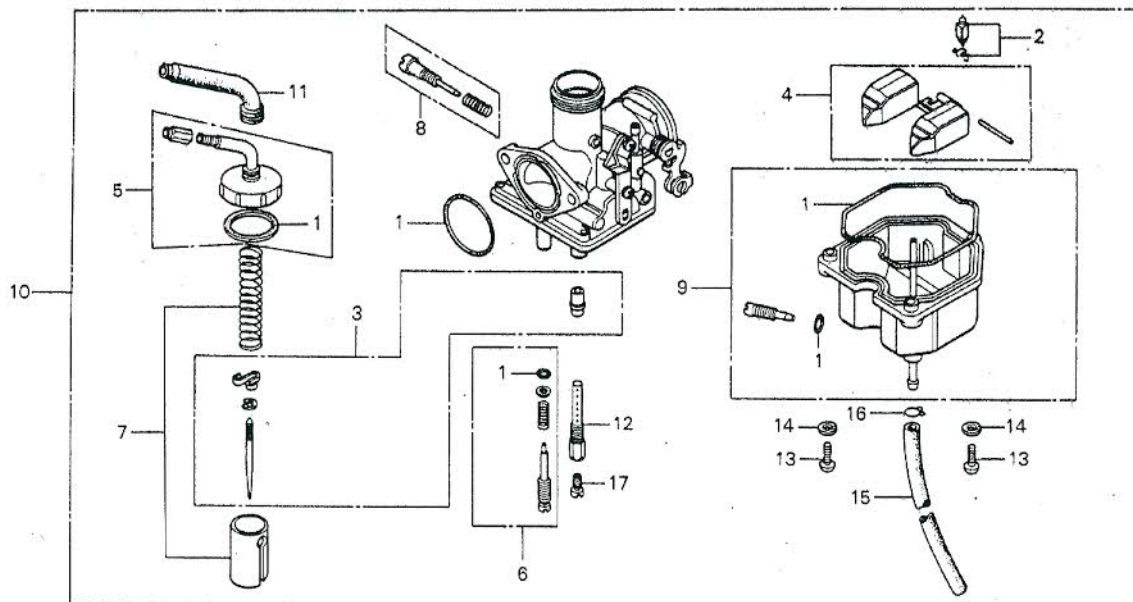
E-17-1

**Carburetor
(CD185T)**

**Carburateur
(CD185T)**

**Vergaser
(CD185T)**

**Carburador
(CD185T)**



8418-2

Service item	F.R.T.	Ref. No.	Part No.	Description	Reqd. No.		Serial No.	Area code
					CD 125T	CD 185T		
PACKING SET	0.7	1	16010-364-770	PACKING SET	1			
NEEDLE SET, JET		2	16011-393-004	VALVE SET, FLOAT	1		PD988 A	
VALVE SET, FLOAT	0.5		16011-382-004	VALVE SET, FLOAT	1	PD988 B		DK,DM,E2,E,SA
FLOAT SET		3	16012-418-004	NEEDLE SET, JET	1			
HOLDER, NEEDLE JET		4	16013-393-004	FLOAT SET	1			
JET, MAIN, #105		5	16014-418-004	TOP SET	1			
TOP SET	0.2							
VALVE SET, THROTTLE	0.3	6	16016-402-004	SCREW SET A	1			
CHAMBER SET, FLOAT	0.4	7	16022-418-004	VALVE SET, THROTTLE	1			
CARBURETOR ASSY.		8	16028-402-004	SCREW SET B	1			
		9	16045-393-004	CHAMBER SET, FLOAT	1			
		10	16100-418-004	CARBURETOR ASSY.	1		2075886	DK,DM,E2,E,SA
			16100-418-601	CARBURETOR ASSY.	1			NR
			16100-418-014	CARBURETOR ASSY. A.	1	2075887		DK,DM,E2,E,SA
		11	16118-121-014	CAP, RUBBER 16118-418-004	1			
		12	16165-418-004	HOLDER, NEEDLE JET	1			
		13	93500-04016-0H	SCREW, PAN, 4X16	3			
		14	94111-04800	WASHER, SPRING, 4MM	3			
		15	95001-35330-40	TUBE, FUEL, 3.5X330	1			

E 2

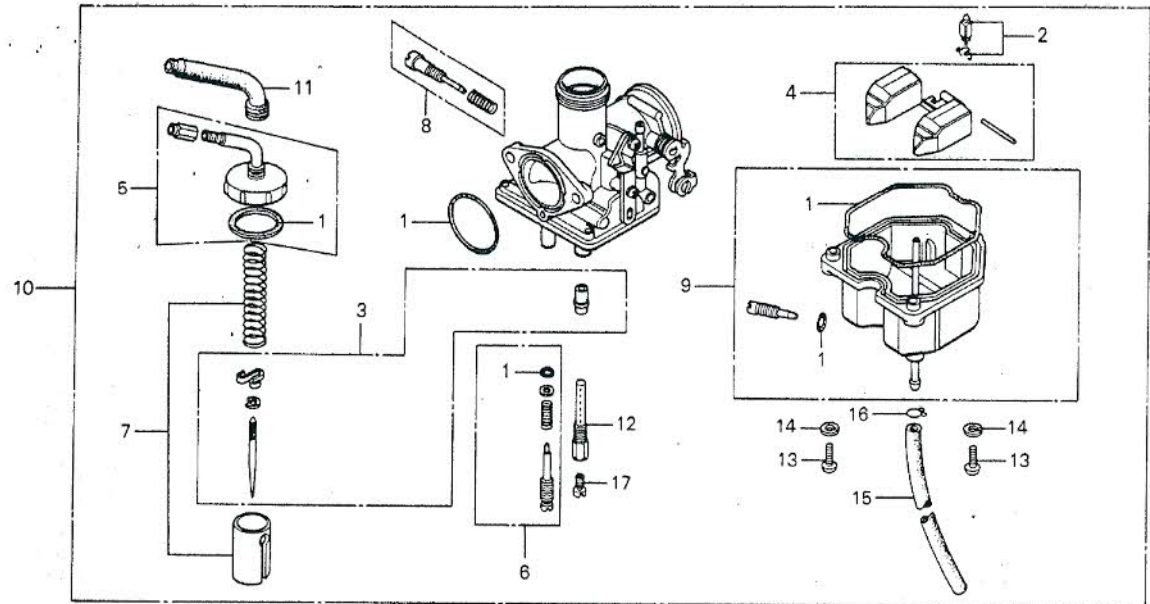
E-17-1

**Carburetor
(CD185T)**

**Carburateur
(CD185T)**

**Vergaser
(CD185T)**

**Carburador
(CD185T)**



B418-2

Service item	F.R.T.	Ref. No.	Part No.	Description	Reqd. No. CD CD 125T 185T	Serial No.	Area code
		16	95002-02070	CLIP B7, TUBE	1		
		17	99101-393-1050	JET, MAIN, #105	1		

G 2

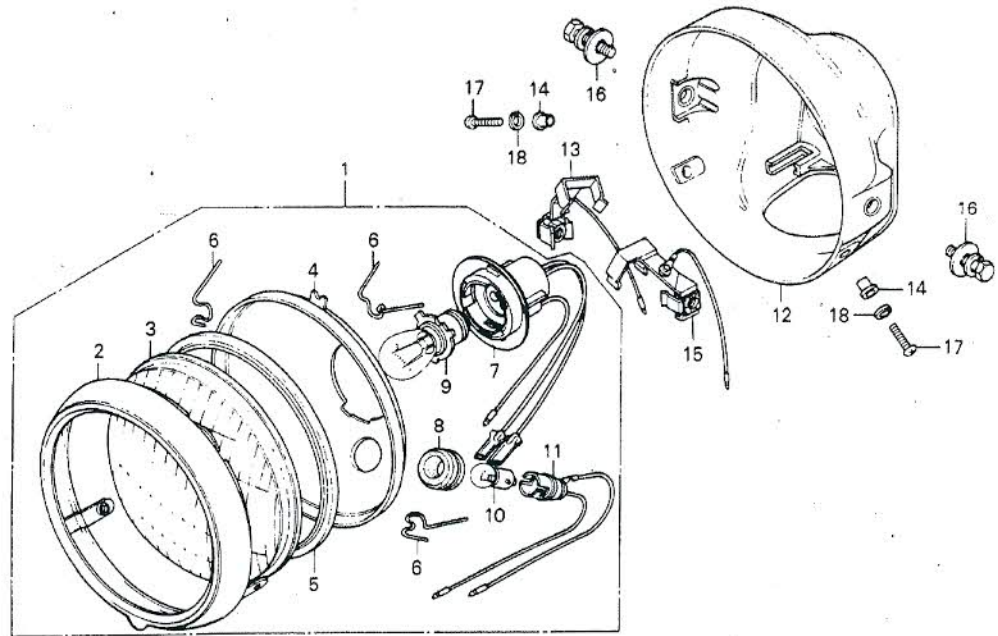
F-1

Headlight
(DK, DM, NR, SA)

Phare
(DK, DM, NR, SA)

Scheinwerfer
(DK, DM, NR, SA)

Faro delantero
(DK, DM, NR, SA)



B402-12

Service item	F.R.T.	Ref. No.	Part No.	Description	Reqd. No. CD CD 125T 185T	Serial No.	Area code
HEADLIGHT ASSY. INC. RELATIVE PART	0.1	1	33100-399-003	HEADLIGHT ASSY. (6V 30/25W)* (STANLEY)	1		
BULB (ONE OR ALL)			33100-419-681	HEADLIGHT ASSY. (6V 35/36W)	1	2080783	DK,DM,NR,SA
LENS, HEADLIGHT	0.2				1	2080784	DK,DM,NR,SA
INC. RELATIVE PART							
CASE, HEADLIGHT	0.3	2	33101-399-003	RIM, HEADLIGHT (STANLEY)	1 1		DK,DM,NR,SA
		3	33103-399-003	LENS, HEADLIGHT	1 1		DK,DM,NR,SA
		4	33104-399-003	REFLECTOR, HEADLIGHT	1 1		DK,DM,NR,SA
		5	33105-399-003	PACKING, HEADLIGHT LENS	1 1		DK,DM,NR,SA
		6	33108-369-003	SPRING, HEADLIGHT SETTING (STANLEY)	3 3		DK,DM,NR,SA
		7	33130-292-033	SOCKET, HEADLIGHT (STANLEY)	1 1		DK,DM,NR,SA
		8	33905-303-003	RUBBER, JDINT	1 1		DK,DM,NR,SA
		9	34901-246-701	BULB, HEADLIGHT (6V 30/25W)	1		DK,DM,NR,SA
					1	2080783	DK,DM,NR,SA

G 3

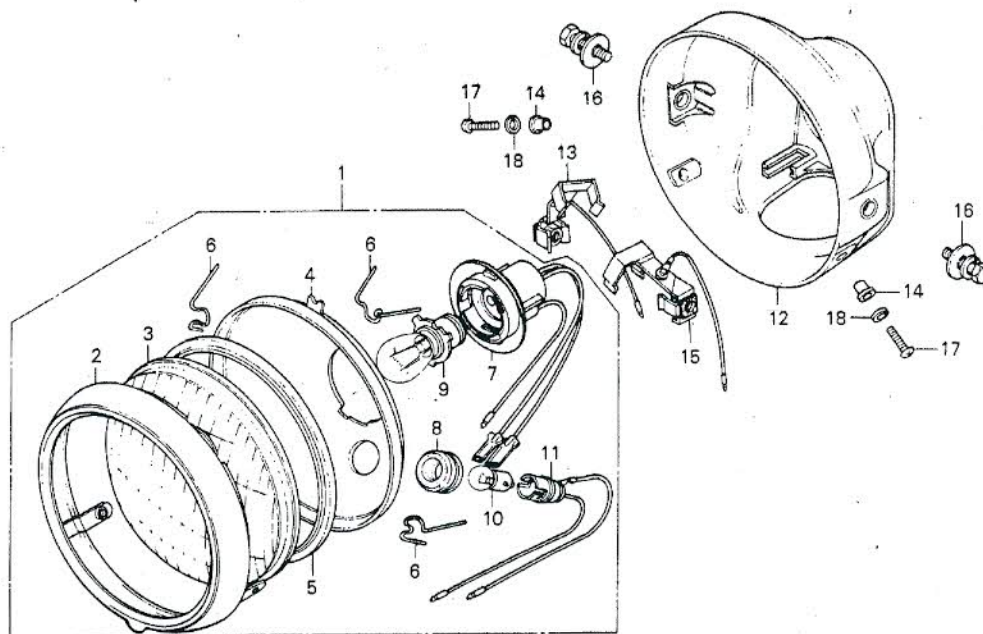
F-1

Headlight
(DK, DM, NR, SA)

Phare
(DK, DM, NR, SA)

Scheinwerfer
(DK, DM, NR, SA)

Faro delantero
(DK, DM, NR, SA)



B402-12

Service item	F.R.T.	Ref. No.	Part No.	Description	Reqd. No.		Serial No.	Area code
					CD 125T	CD 185T		
			34901-329-003	BULB, HEADLIGHT (6V 35/36W)	1		2080784	DK, DM, NR, SA
		10	34903-303-003	BULB, POSITION (6V 3W)	1	1		DK, DM, NR, SA
		11	34904-303-003	SOCKET, POSITION LIGHT	1	1		DK, DM, NR, SA
		12	61301-399-000ZA	CASE, HEADLIGHT *NH-1*	1	1		DK, DM, NR, SA
			61301-399-000ZB	CASE, HEADLIGHT *PB-7C*	1	1		DK, DM, NR, SA
			61301-399-000ZC	CASE, HEADLIGHT *R-4C*	1	1		DK, DM, NR, SA
		13	61303-402-000	HOLDER, R. COUPLER	1	1		DK, DM, NR, SA
		14	61304-292-000	COLLAR, HEADLIGHT SETTING	2	2		DK, DM, NR, SA
		15	61304-399-000	HOLDER, L. COUPLER	1	1		DK, DM, NR, SA
		16	93483-08025-00	BOLT-WASHER, 8X25	2	2		DK, DM, NR, SA
		17	93500-05016-0B	SCREW, PAN, 5X16	2	2		DK, DM, NR, SA
		18	94111-05000	WASHER, SPRING, 5MM	2	2		DK, DM, NR, SA

G 4

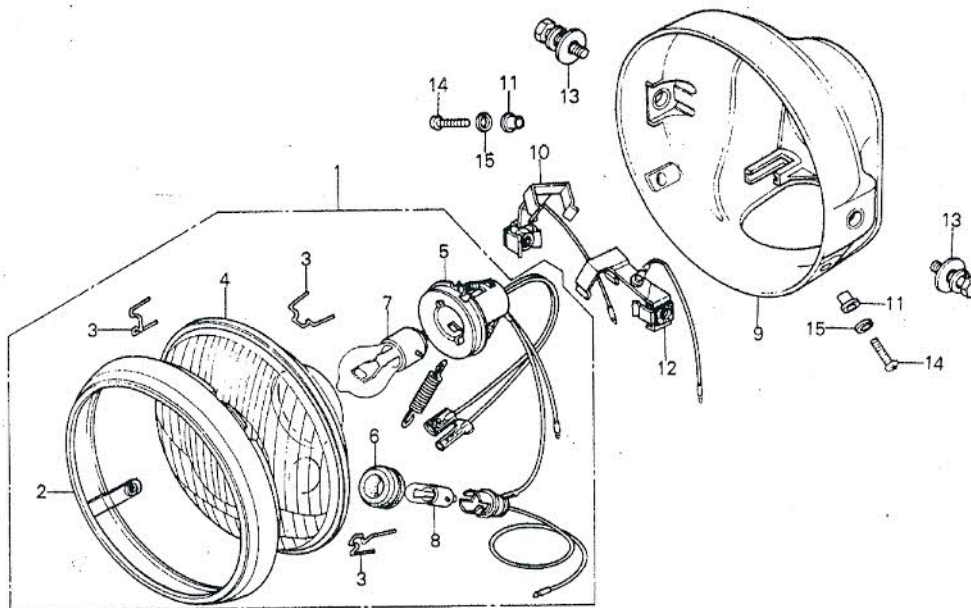
F-1-1

**Headlight
(E2, E)**

**Phare
(E2, E)**

**Scheinwerfer
(E2, E)**

**Faro delantero
(E2, E)**



B418-3

Service item	F.R.T.	Ref. No.	Part No.	Description	Reqd. No.		Serial No.	Area code	
					CD 125T	CD 185T			
HEADLIGHT ASSY. INC. RELATIVE PART BULB (ONE OR ALL) HEADLIGHT UNIT INC. RELATIVE PART CASE, HEADLIGHT	0.1	1	33100-399-601	HEADLIGHT ASSY. (6V 35/35W)	1			E2,E	
		2	33101-399-601	RIM, HEADLIGHT	1			E2,E	
		3	33108-028-013	SPRING, UNIT HOLDER	3			E2,E	
	0.2	4	33120-304-610	HEADLIGHT UNIT	1			E2,E	
		5	33130-399-601	SOCKET COMP., HEADLIGHT	1			E2,E	
	0.3	6	33905-303-003	RUBBER, JOINT	1			E2,E	
		7	34901-383-611	BULB, HEADLIGHT (6V 35/35W)	1			E2,E	
		8	34903-383-611	BULB, POSITION (6V 4W)	1			E2,E	
		9	61301-399-0002A	CASE, HEADLIGHT *NH-1*	1			E2,E	
			61301-399-0002B	CASE, HEADLIGHT *PB-7C*	1			E	
			61301-399-0002C	CASE, HEADLIGHT *R-4C*	1			E	
			61301-399-0002D	CASE, HEADLIGHT *PB-54*	1			E2	
		10	61303-402-000	HOLDER, R. COUPLER	1			E2,E	
			11	61304-292-000	COLLAR, HEADLIGHT SETTING	2			E2,E
			12	61304-399-000	HOLDER, L. COUPLER	1			E2,E
			13	93483-08025-00	BOLT-WASHER, 8X25	2			E2,E
		14	93500-05016-08	SCREW, PAN, 5X16	2			E2,E	
		15	94111-05000	WASHER, SPRING, 5MM	2			E2,E	

G 5

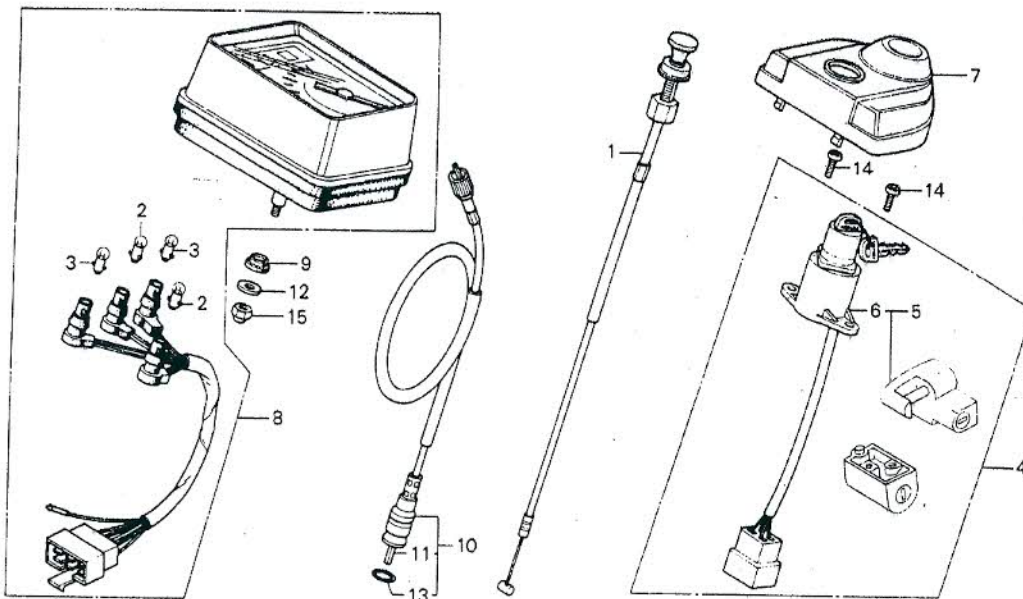
F-2

Meter • Key set

Compteurs • Jeu de clés

Messer • Schloßsatz

Medior • Juego de llaves



B402-13

Service item	F.R.T.	Ref. No.	Part No.	Description	Reqd. No. CD CD 125T 185T	Serial No.	Area code
CABLE COMP., CHOKE	0.2	1	17950-402-000	CABLE COMP., CHOKE	1		
SWITCH ASSY., COMBINATION		2	34902-202-000	BULB, DASH (6V3W)	2		
BULB, (ONE OR ALL)	0.1	3	34908-230-000	BULB, SPEEDOMETER (6V1.7W)	2		
CABLE ASSY., SPEEDOMETER		4	35010-402-000	KEY SET	1		DK, DM, NR, SA
CABLE, SPEEDOMETER INNER		5	35010-418-600	KEY SET	1		E2, E
KEY SET	0.4						
SPEEDOMETER ASSY.	0.3	6	35100-402-000	SWITCH ASSY., COMBINATION	1		
		7	35105-402-000	COVER, COMBINATION SWITCH	1		DK, DM, E2, E, SA
			35105-418-000	COVER, COMBINATION SWITCH	1		NR
		8	37200-402-691	SPEEDOMETER ASSY. (MPH) (NIPPON SEIKI)	1		DM
			37200-418-008	SPEEDOMETER ASSY. (KPH) (NIPPON SEIKI)	1		DK, NR, SA
			37200-419-691	SPEEDOMETER ASSY. (MPH) (NIPPON SEIKI)	1		E2, E
		9	37244-307-670	RUBBER, METER SETTING	1		

G 6

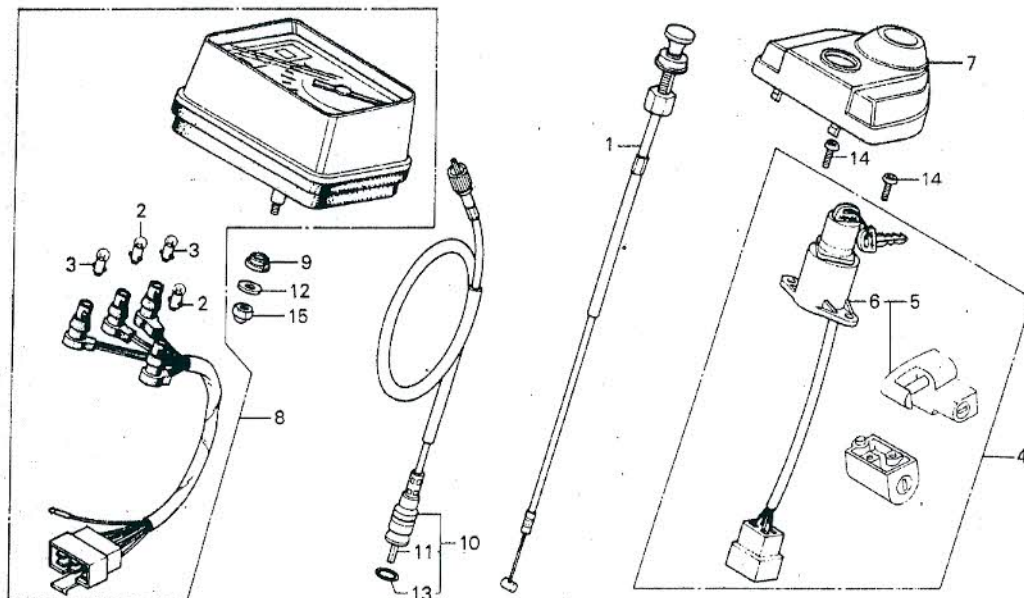
F-2

Meter • Key set

Compteurs • Jeu de clés

Messer • Schloßsatz

Medior • Juego de llaves



B402-13

Service item	F.R.T.	Ref. No.	Part No.	Description	Reqd. No.		Serial No.	Area code
					CD 125T	CD 185T		
		10	44830-402-000	CABLE ASSY., SPEEDMETER	1	1		
		11	44831-402-000	CABLE, SPEEDMETER INNER	1	1		
		12	90525-030-000	WASHER B, HANDLE HOLDER	1	1		
		13	91351-121-710	O-RING	1	1		
		14	93500-06012	SCREW, PAN, 6X12	2	2		
		15	94021-06000	NUT, CAP, 6MM	1	1		

G 7

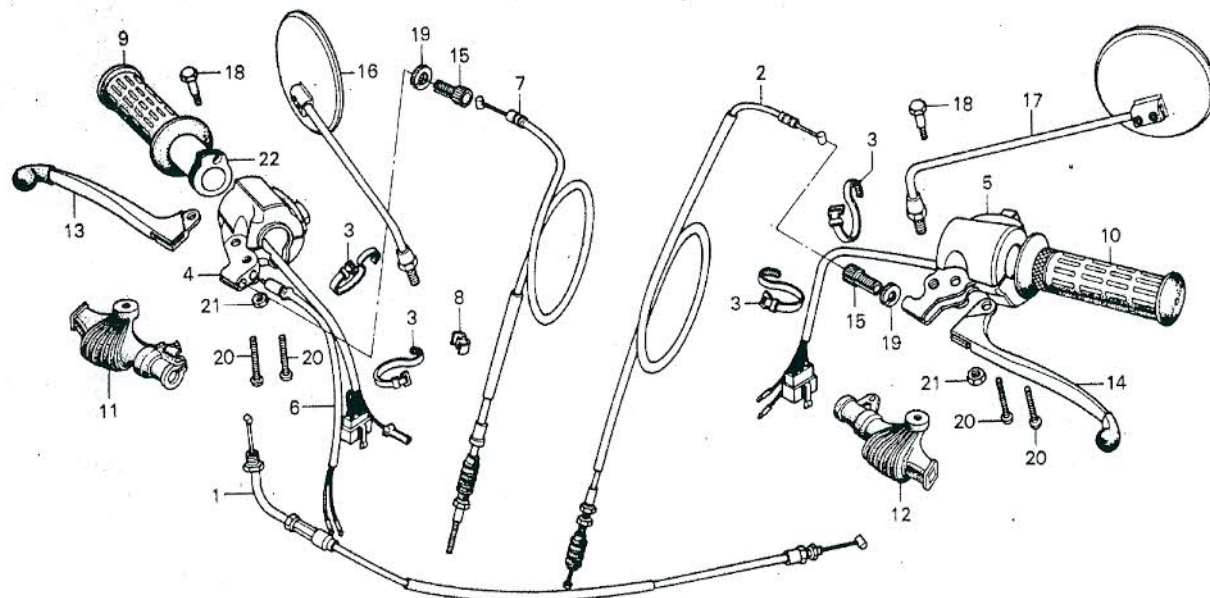
F-3

Handle lever • Switch • Cable

Levier de poignée •
Interrupteur • Câble

Lenkstangenhebel • Kabel

Palanca de manubrio •
Interruptor • Cable



B418-4

Service item	F.R.T.	Ref. No.	Part No.	Description	Reqd. No. CD CD 125T 185T	Serial No.	Area code
CABLE COMP., THROTTLE	0.3	1	17910-402-000	CABLE COMP., THROTTLE	1		E2
SWITCH ASSY., WINKER			17910-418-630	CABLE COMP., THROTTLE	1		
CABLE COMP., CLUTCH	0.2		17910-418-710	CABLE COMP., THROTTLE	1	2084693	DK,DM,E,NR,SA
SWITCH ASSY., FR. STOP			17910-418-711	CABLE COMP., THROTTLE	1	2084694	DK,DM,E,NR,SA
CABLE COMP., FR. BRAKE		2	22870-402-000	CABLE COMP., CLUTCH	1		DK,DM,E,NR,SA
PIPE A, THROTTLE GRIP			22870-418-630	CABLE COMP., CLUTCH	1		E2
SWITCH ASSY., LIGHTING	0.4	3	32161-404-000	BAND B1, WIRE	4		
RUBBER, GRIP	0.1	4	35150-402-003	SWITCH ASSY., LIGHTING (TOYO)	1		DK,DM,E,NR,SA
COVER COMP., HANDLE LEVER			35150-418-630	SWITCH ASSY., LIGHTING	1		E2
LEVER, STEERING HANDLE		5	35200-402-003	SWITCH ASSY., WINKER (TOYO)	1		DK,DM,NR,SA
MIRROR, BACK			35200-418-600	SWITCH ASSY., WINKER	1		E
(ONE OR ALL)			35200-418-630	SWITCH ASSY., WINKER	1		E2
		6	35330-401-681	SWITCH ASSY., FR. STOP (TOYO)	1		
					1	2039158	

G 8

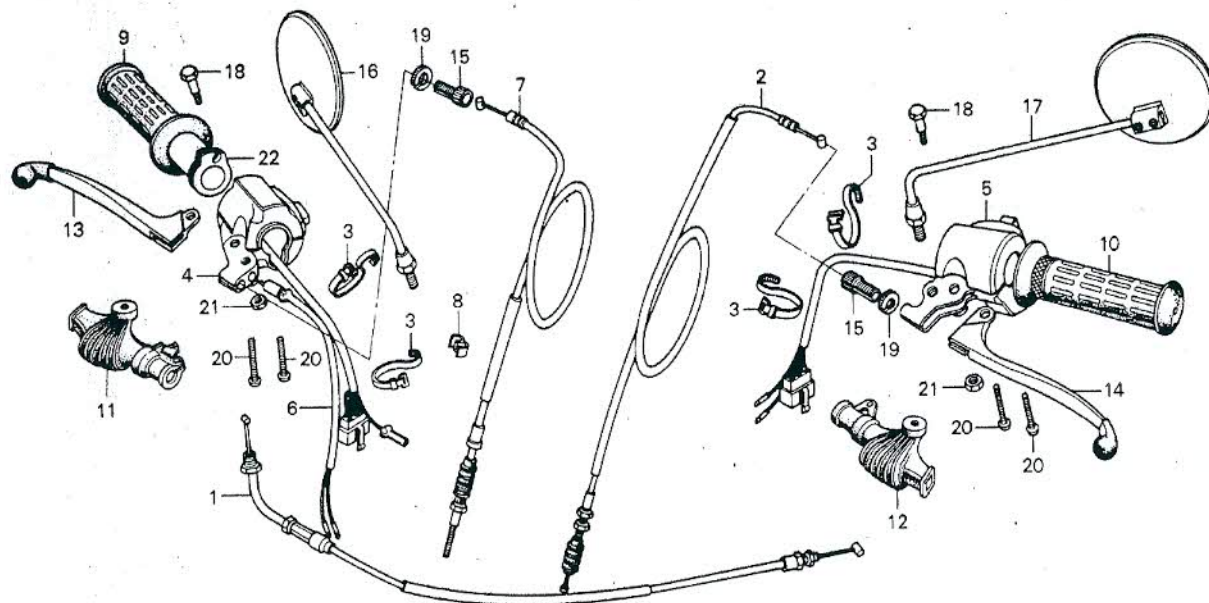
F-3

Handle lever • Switch • Cable

Levier de poignée •
Interrupteur • Câble

Lenkstangenhebel • Kabel

Palanca de manubrio •
Interruptor • Cable



B418-4.

Service item	F.R.T.	Ref. No.	Part No.	Description	Reqd. No. CD 125T CD 185T	Serial No.	Area code
			35340-401-681	SWITCH ASSY., FR. STOP (TOYO)	1	2039159	
		7	45450-402-000	CABLE COMP., FR. BRAKE	1		DK,DM,E,NR,SA
			45450-418-630	CABLE COMP., FR. BRAKE	1		E2
		8	45465-341-700	CLIP, FR. BRAKE CABLE	1		
		9	53165-390-780	RUBBER, R. GRIP	1		
		10	53166-390-780	RUBBER, L. GRIP	1		
		11	53171-351-000	COVER COMP., R. HANDLE LEVER	1		NR
		12	53172-402-000	COVER COMP., L. HANDLE LEVER	1		NR
		13	53175-369-700	LEVER, R. STEERING HANDLE	1		
		14	53178-369-700	LEVER, L. STEERING HANDLE	1		
		15	53192-268-000	BOLT, CLUTCH WIRE ADJUSTING	2		
		16	88110-098-861	MIRROR, R. BACK	1		DK,DM,E,SA
			88110-329-730	MIRROR, R. BACK	1		E2,NR

G 9

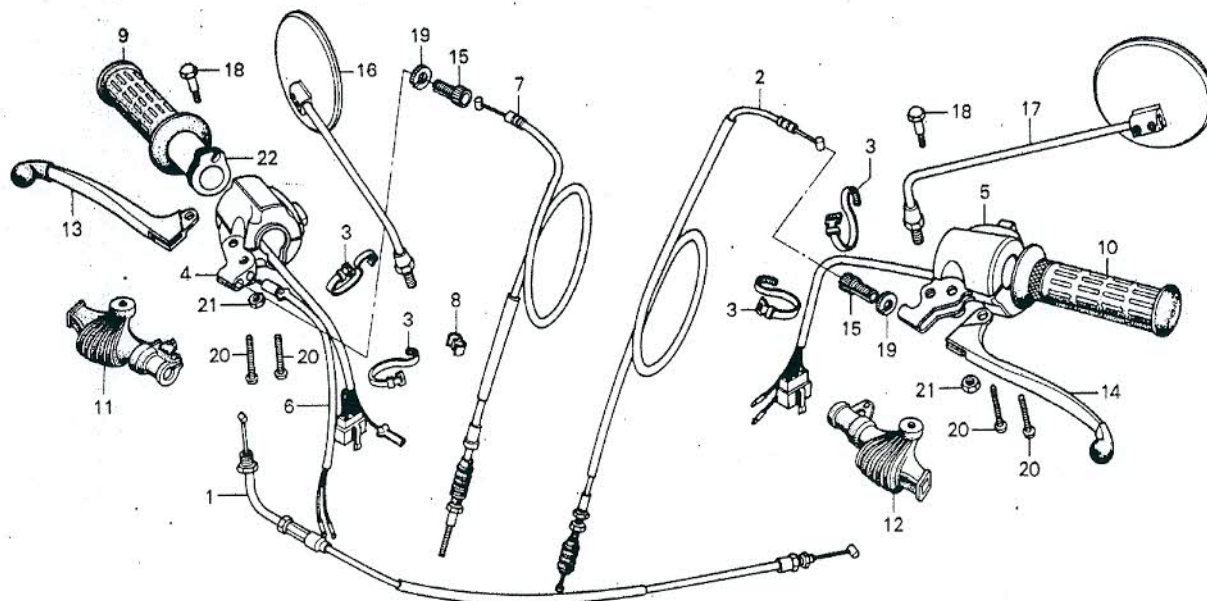
F-3

Handle lever • Switch • Cable

Levier de poignée •
Interrupteur • Câble

Lenkstangenhebel • Kabel

Palanca de manubrio •
Interruptor • Cable



8418-4

Service item	F.R.T.	Ref. No.	Part No.	Description	Reqd. No.		Serial No.	Area code
					CD	CD		
		17	88120-098-861	MIRROR, L. BACK	1	1		DK,DM,E,SA
			88120-329-730	MIRROR, L. BACK	1	1		E2,NR
		18	90114-310-000	BOLT, HANDLE LEVER PIVOT	2	2		DK,DM,E2,E,SA
			90114-329-000	BOLT, HANDLE LEVER PIVOT		2		NR
		19	90321-315-670	NUT, FIXING	2	2		
		20	93500-05025-0A	SCREW, PAN, 5X25	4	4		
		21	94001-06000	NUT, HEX., 6MM	2	2		
		22	95014-51100	PIPE A, THROTTLE GRIP	1	1		

G 10

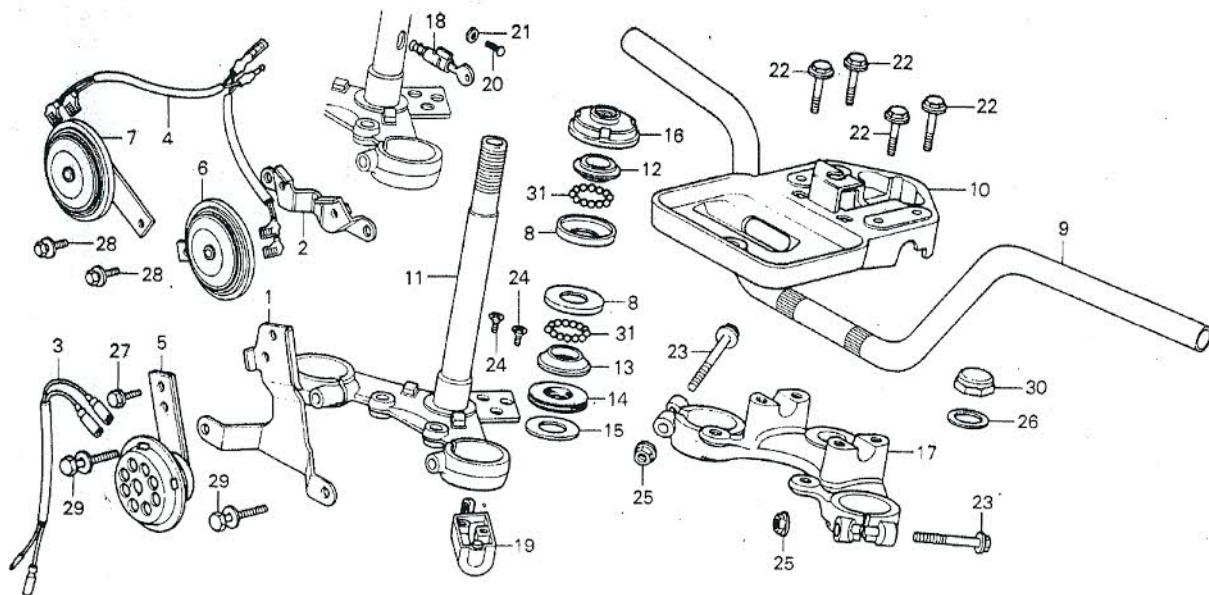
F-4

Handle pipe • Steering stem •
Top bridge

Guidon • Tige de direction •
Haut de fourche

Lenkrohr • Steuerkopfschaft •
Obere Brücke

Tubo do manubrio •
Varilla de dirección •
Puente superior



B418-5

Service item	F.R.T.	Ref. No.	Part No.	Description	Reqd. No.		Serial No.	Area code
					CD	125T185T		
SUB CORD, HORN	0.2	1	38102-402-000	STAY, HORN	1	1		DK,DM,E2,E,SA
HORN COMP.	0.1	2	38102-418-710	STAY, HORN		1		NR
LOCK COMP., STEERING HANDLE		3	38105-115-000	SUB CORD, HORN	1	1		DK,DM,SA
LOCK, STEERING HANDLE RACE, STEERING TOP BALL (ONE OR ALL)	0.8		38105-399-600	SUB CORD, HORN		1		E2,E
PIPE, STEERING HANDLE RACE, STEERING TOP CONE	0.5	4	38105-418-710	SUB CORD, HORN		1		NR
THREAD COMP., STEERING HEAD TOP		5	38110-147-004	HORN COMP. (MITSUBA)	1	1		DK,DM,SA
BRIDGE, FORK TOP HOLDER, UPPER	0.4		38110-382-601	HORN COMP.		1		E2,E
STEM COMP., STEERING INC. RELATIVE PART	1.1	6	38110-418-711	HORN COMP. (HIGH)		1		NR
		7	38120-418-711	HORN COMP. (LOW)		1		NR
		8	50301-041-000	RACE, STEERING TOP BALL	2	2		
		9	53100-402-000	PIPE, STEERING HANDLE	1	1		DK,DM,E,NR,SA
			53100-418-630	PIPE, STEERING HANDLE		1		E2
		10	53130-419-000	HOLDER, UPPER	1	1		

G 11

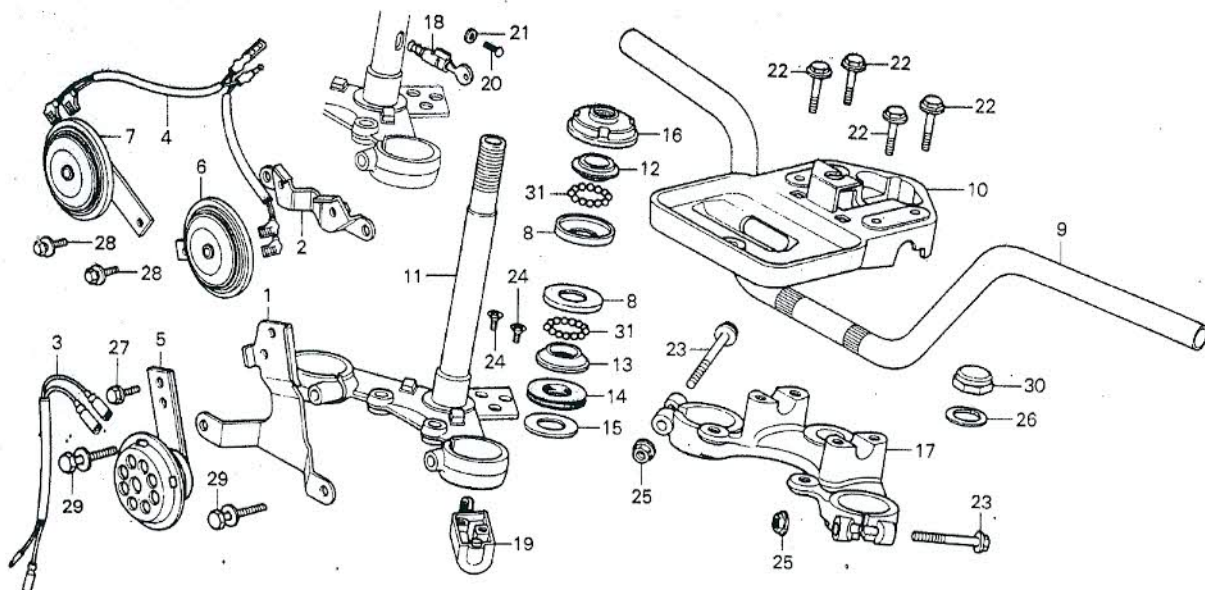
F-4

Handle pipe • Steering stem •
Top bridge

Guidon • Tige de direction •
Haut de fourche

Lenkrohr • Steuerkopfschaft •
Obere Brücke

Tubo do manubrio •
Varilla de dirección •
Puente superior



6418-5

Service item	F.R.T.	Ref. No.	Part No.	Description	Req. No. CD CD 125T 185T	Serial No.	Area code
		11	53200-402-000ZA	STEM COMP., STEERING *NH-1*	1 1		DK, DM, NR, SA
			53200-418-600ZA	STEM COMP., STEERING *NH-1*	1		E2, E
		12	53211-028-000	RACE, STEERING TOP CONE	1 1		
		13	53212-030-000	RACE, STEERING BOTTOM CONE	1 1		
		14	53214-001-010	DUST SEAL, STEERING HEAD	1 1		
		15	53215-001-000	WASHER, STEERING HEAD DUST SEAL	1 1		
		16	53220-074-000	THREAD COMP., STEERING HEAD TOP	1 1		
		17	53231-402-000	BRIDGE, FORK TOP	1 1		
		18	53600-051-000	LOCK COMP., STEERING HANDLE	1		E2, E
		19	53600-086-007	LOCK, STEERING HANDLE (HONDA LOCK)	1 1		DK, DM, NR, SA
		20	53603-051-000	RIVET, 4.1MM	1		E2, E

G 12

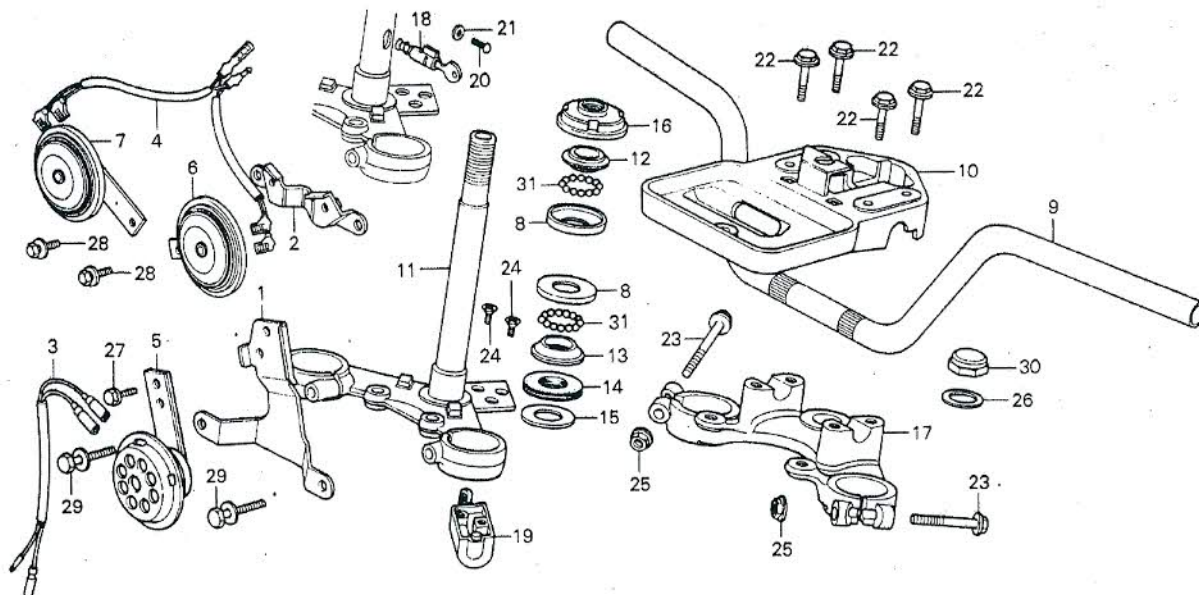
F-4

Handle pipe • Steering stem •
Top bridge

Guidon • Tige de direction •
Haut de fourche

Lenkrohr • Steuerkopfschaft •
Obere Brücke

Tubo do manubrio •
Varilla de dirección •
Puente superior



B418-5

Service item	F.R.T.	Ref. No.	Part No.	Description	Reqd. No. CD CD 125T 185T	Serial No.	Area code
		21	53604-098-940	WASHER, 4.5MM	1		E2,E
		22	90111-362-000	BOLT, FLANGE, 8X36	4		
		23	90155-369-000	BOLT, FLANGE, 7X54	2		
		24	90164-028-000	SCREW, U LOCK FLAT, 6X12	2		DK,DM,NR,SA
		25	90355-369-000	NUT, FLANGE, 7MM	2		
		26	90503-011-000	WASHER, STEERING STEM	1		E2,E
		27	93481-08016-00	BOLT-WASHER, 8X16	1		DK,DM,SA
			95700-06012-00	BOLT, FLANGE, 6X12	1		NR
		28	93481-08016-07	BOLT-WASHER, 8X16	2		
		29	93481-08040-00	BOLT-WASHER, 8X40	2		
		30	95020-11100	NUT A1, STEERING STEM	1		
		31	96211-06000	BALL, STEEL, #6 (3/16)	42		

G 13

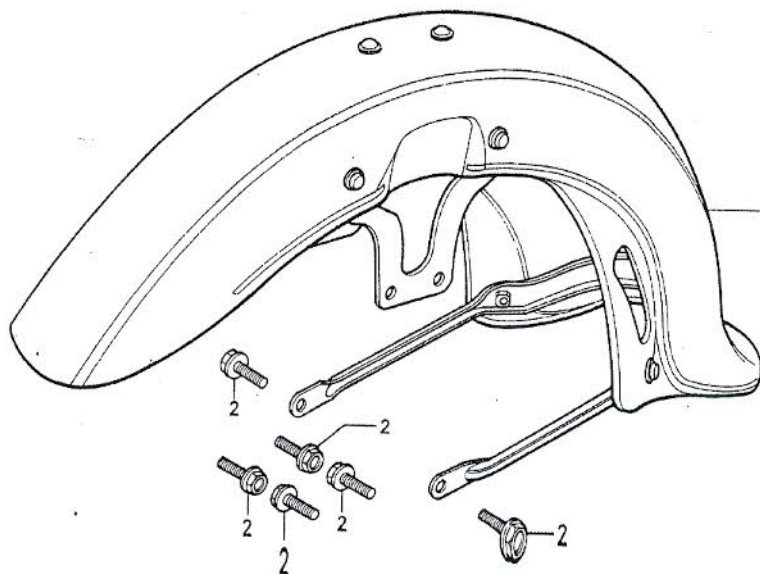
F-5

Front fender

Garde-boue avant

Vorderer Kotflügel

Parafango delantero



B418-6

Service Item	F.R.T.	Ref. No.	Part No.	Description	Reqd. No.		Serial No.	Area code
					CD 125T	CD 185T		
FENDER COMP., FR.	0.2	1	61100-402-680ZA	FENDER COMP., FR. *NH-1*	1	1		DK,DM,E,SA
			61100-402-680ZB	FENDER COMP., FR. *PB-7C*		1		DK,DM,E,SA
			61100-402-680ZC	FENDER COMP., FR. *R-4C*		1		DK,DM,E,SA
			61100-418-630ZA	FENDER COMP., FR. *NH-1*		1		E2
			61100-418-630ZB	FENDER COMP., FR. *PB-54*		1		E2
			61100-418-710	FENDER COMP., FR.		1		NR
		2	95700-06016-00	BOLT, FLANGE, 6X16		6	6	

G 14

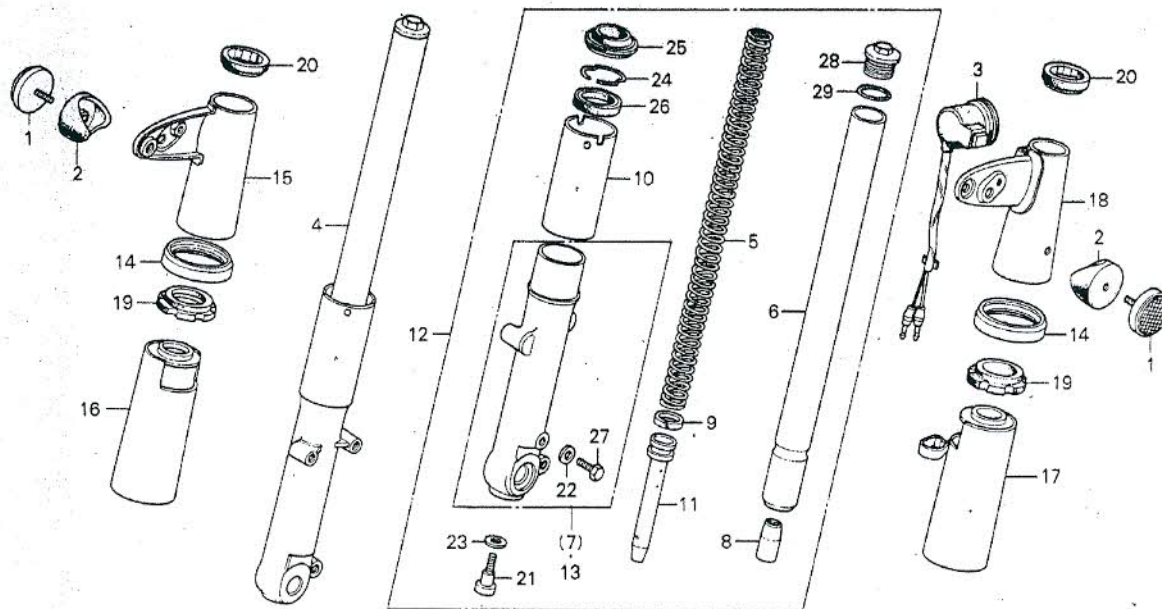
F-6

Front fork

Fourche avant

Vordergabel

Horquilla delantero



B402-17

Service item	F.R.T.	Ref. No.	Part No.	Description	Reqd. No.		Serial No.	Area code
					CD	CD		
BUZZER ASSY., WINKER	0.3	1	33741-315-000	REFLECTOR, FR. REFLEX	2	2		DK,DM,NR,SA
FORK ASSY., FR.	0.4		33741-340-670	REFLECTOR, FR. REFLEX		2		E2,E
(WHEN SERVICING COMP., UNIT, F.R.T. IS 0.6.)		2	33743-306-670	BASE, FR. REFLEX REFLECTOR	2	2		
SPRING, FR. CUSHION	0.2	3	38400-096-701	BUZZER ASSY., WINKER	1	1		DK,DM,NR,SA
PIPE COMP., FR. FORK	0.8	4	51400-402-003	FORK ASSY., R. FR. (SHOWA)	1	1		
(WHEN SERVICING COMP., UNIT, F.R.T. IS 1.2.)		5	51401-402-003	SPRING, FR. CUSHION (SHOWA)	2	2		
CASE COMP., FR. FORK BOTTOM		6	51410-402-003	PIPE COMP., FR. FORK (SHOWA)	2	2		
(WHEN SERVICING COMP., UNIT, F.R.T. IS 1.2.)		7	51421-402-003	CASE COMP., R. FR. FORK BOTTOM (SHOWA)	1	1		
COVER, FR. FORK UPPER	0.7	8	51432-388-003	PIECE, OIL LOCKING	2	2		
INC. RELATIVE PART		9	51437-373-781	RING, PISTON	2	2		
(WHEN SERVICING COMP., UNIT, F.R.T. IS 0.9.)		10	51452-353-000	COVER, BOTTOM CASE	2	2		
OIL SEAL, 31X41X11		11	51470-399-003	PIPE, SEAT (SHOWA)	2	2		
(WHEN SERVICING COMP., UNIT, F.R.T. IS 1.0.)		12	51500-402-003	FORK ASSY., L. FR. (SHOWA)	1	1		

G 15

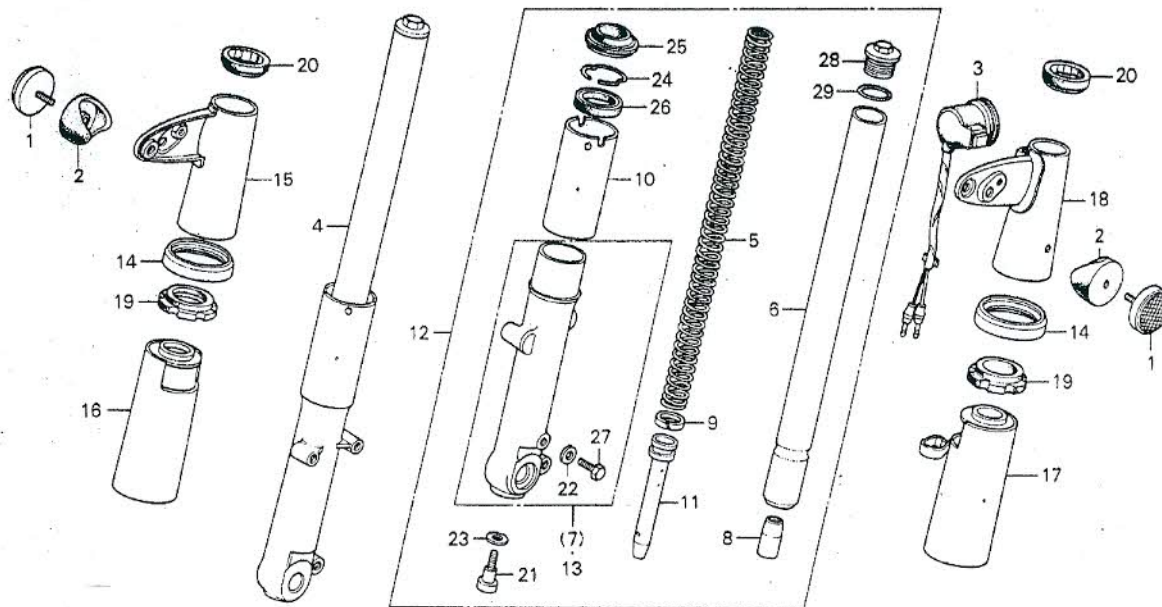
F-6

Front fork

Fourche avant

Vordergabel

Horquilla delantero



B402-17

Service item	F.R.T.	Ref. No.	Part No.	Description	Reqd. No. CD CD 125T 185T	Serial No.	Area code
		13	51521-402-003	CASE COMP., L. FR. FORK BOTTOM (SHOWA)	1 1		
		14	51608-235-000	RIB, FR. FORK	2 2		
		15	51610-402-000ZA	COVER, R. FR. FORK UPPER *NH-1*	1 1		DK, DM, NR, SA
			51610-402-000ZB	COVER, R. FR. FORK UPPER *PB-7C*	1		DK, DM, NR, SA
			51610-402-000ZC	COVER, R. FR. FORK UPPER *R-4C*	1		DK, DM, NR, SA
			51610-418-600ZA	COVER, R. FR. FORK UPPER *NH-1*	1		E2, E
			51610-418-600ZB	COVER, R. FR. FORK UPPER *PB-7C*	1		E
			51610-418-600ZC	COVER, R. FR. FORK UPPER *R-4C*	1		E
			51610-418-600ZD	COVER, R. FR. FORK UPPER *PB-54*	1		E2
		16	51611-402-000ZA	COVER, FR. FORK UNDER *NH-1*	1 1		

G 16

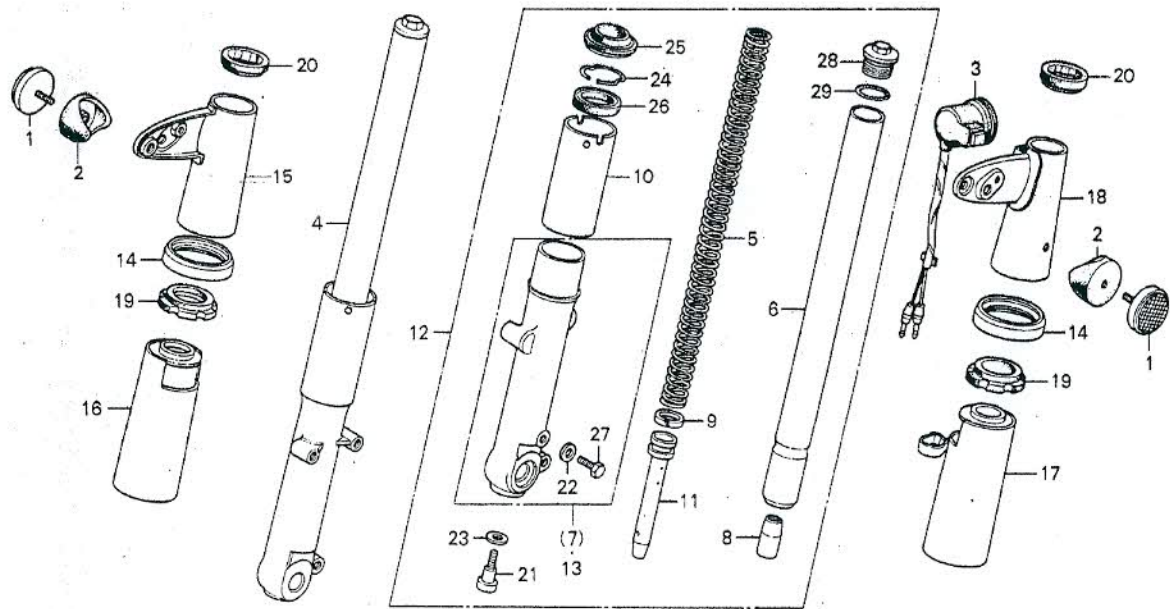
F-6

Front fork

Fourche avant

Vordergabel

Horquilla delantero



B402-17

Service item	F.R.T.	Ref. No.	Part No.	Description	Reqd. No.		Serial No.	Area code
					CD 125T	CD 185T		
			51611-402-000ZB	COVER, FR. FORK UNDER *PB-7C*		1		DK,DM,E,NR,SA
			51611-402-000ZC	COVER, FR. FORK UNDER *R-4C*		1		DK,DM,E,NR,SA
			51611-402-000ZD	COVER, R. FR. FORK UNDER *PB-54*		1		E2
		17	51612-402-000ZA	COVER, L. FR. FORK UNDER *NH-1*	1	1		
			51612-402-000ZB	COVER, L. FR. FORK UNDER *PB-7C*		1		DK,DM,E,NR,SA
			51612-402-000ZC	COVER, L. FR. FORK UNDER *R-4C*		1		DK,DM,E,NR,SA
			51612-402-000ZD	COVER, L. FR. FORK UNDER *PB-54*		1		E2
		18	51620-402-000ZA	COVER, L. FR. FORK UPPER *NH-1*	1	1		DK,DM,NR,SA
			51620-402-000ZB	COVER, L. FR. FORK UPPER *PB-7C*		1		DK,DM,NR,SA
			51620-402-000ZC	COVER, L. FR. FORK UPPER *R-4C*		1		DK,DM,NR,SA

G 15

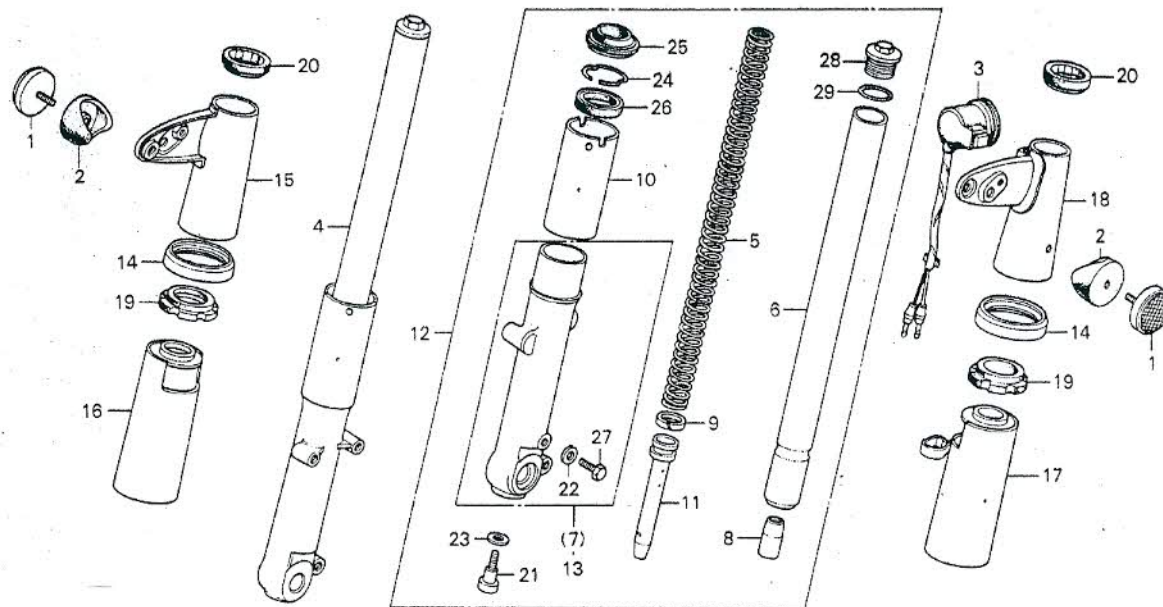
F-6

Front fork

Fourche avant

Vordergabel

Horquilla delantero



B402-17

Service item	F.R.T.	Ref. No.	Part No.	Description	Reqd. No. CD CD 125T 185T	Serial No.	Area code
		13	51521-402-003	CASE COMP., L. FR. FORK BOTTOM (SHOWA)	1 1		
		14	51608-235-000	RIB, FR. FORK	2 2		
		15	51610-402-000ZA	COVER, R. FR. FORK UPPER *NH-1*	1 1		DK, DM, NR, SA
			51610-402-000ZB	COVER, R. FR. FORK UPPER *PB-7C*	1		DK, DM, NR, SA
			51610-402-000ZC	COVER, R. FR. FORK UPPER *R-4C*	1		DK, DM, NR, SA
			51610-418-600ZA	COVER, R. FR. FORK UPPER *NH-1*	1		E2, E
			51610-418-600ZB	COVER, R. FR. FORK UPPER *PB-7C*	1		E
			51610-418-600ZC	COVER, R. FR. FORK UPPER *R-4C*	1		E
			51610-418-600ZD	COVER, R. FR. FORK UPPER *PB-54*	1		E2
		16	51611-402-000ZA	COVER, FR. FORK UNDER *NH-1*	1 1		

H 1

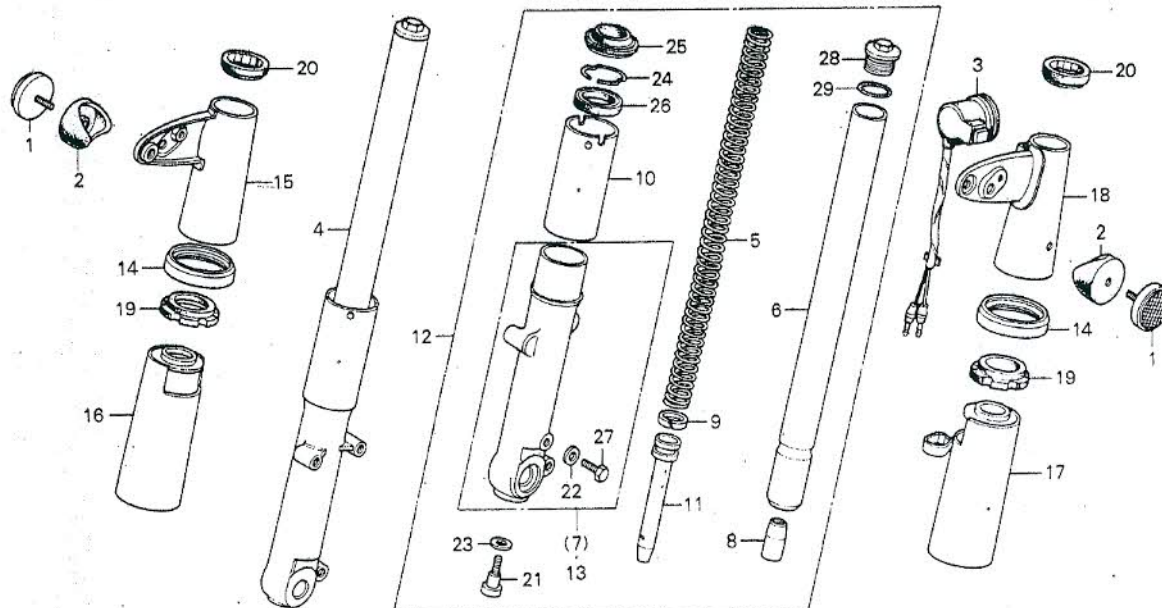
F-6

Front fork

Fourche avant

Vordergabel

Horquilla delantero



B402-17

Service item	F.R.T.	Ref. No.	Part No.	Description	Reqd. No.		Serial No.	Area code
					CD	CD		
					125T	185T		
			51620-418-600ZA	COVER, L. FR. FORK UPPER	1			E2,E
			51620-418-600ZB	COVER, L. FR. FORK UPPER	1			E
			51620-418-600ZC	COVER, L. FR. FORK UPPER	1			E
			51620-418-600ZD	COVER, L. FR. FORK UPPER	1			E2
		19	51622-216-670	CUSHION, FR. FORK COVER LOWER	2	2		
			20	51641-453-000	CUSHION A, FORK COVER	2	2	
			21	90116-283-010	BOLT, SOCKET, 8MM	2	2	
			22	90543-273-000	PACKING, FR. FORK DRAIN CHECK	2	2	
			23	90544-283-000	WASHER, SPECIAL, 8MM	2	2	
			24	90601-353-000	RING, OIL SEAL STOP	2	2	
			25	91254-353-010	DUST SEAL, 31X41X10	2	2	

1978.10.10

H1

H 2

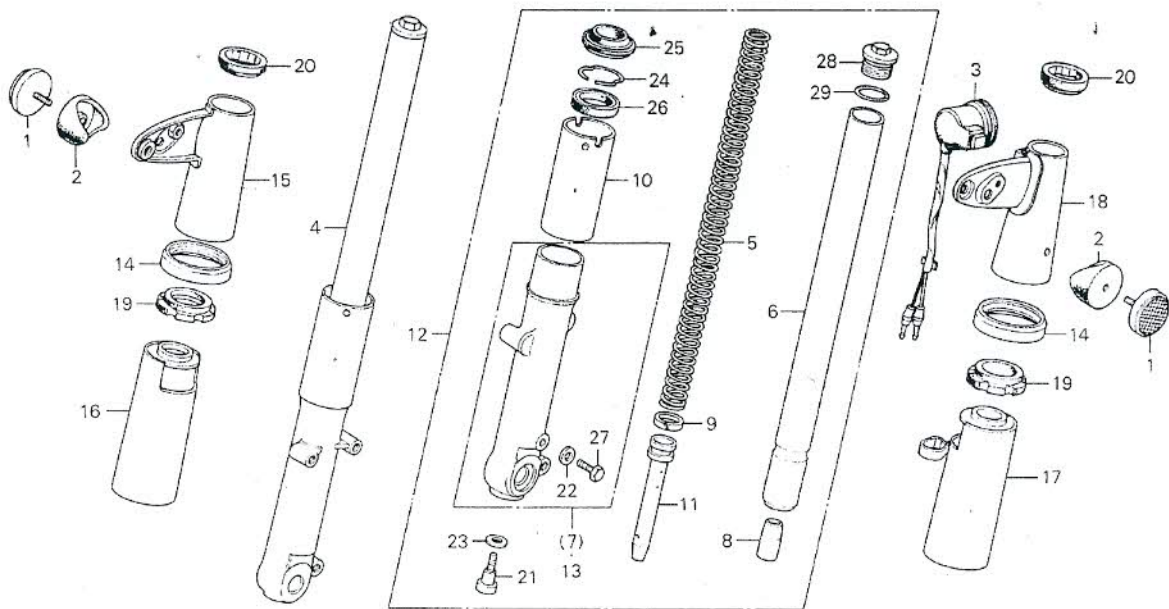
F-6

Front fork

Fourche avant

Vordergabel

Horquilla delantero



B402-17

Service item	F.R.T.	Ref. No.	Part No.	Description	Reqd. No.		Serial No.	Area code
					CD 125T	CD 185T		
		26	91255-315-003	OIL SEAL, 31X41X11	2	2		
		27	92000-06008	BOLT, HEX., 6X8	2	2		
		28	94605-27101	BOLT D1, FORK	2	2		
		29	94608-30000	O-RING, 23X2.4	2	2		

H 3

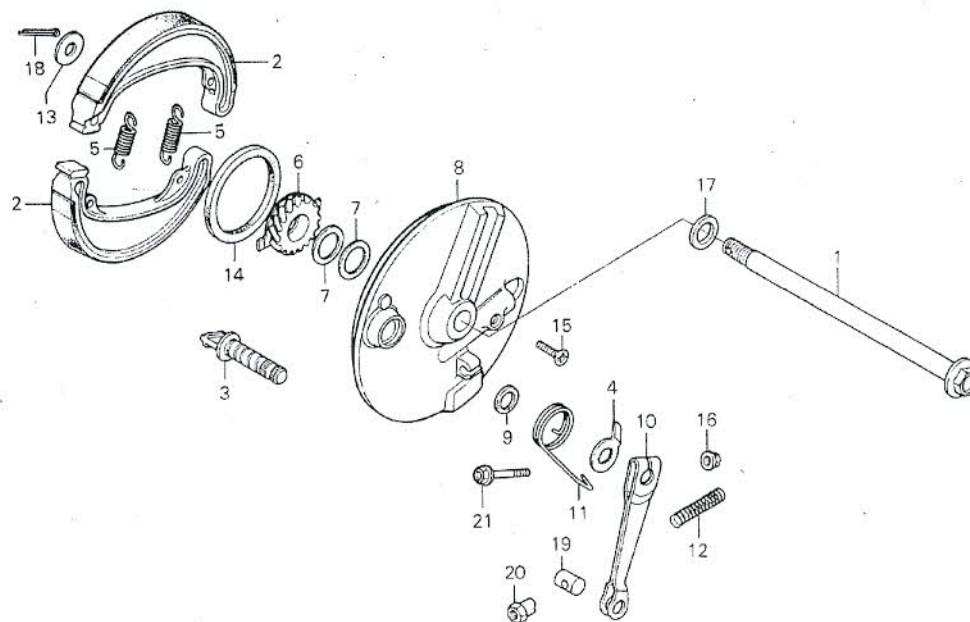
F-7

Front brake panel

Plateau de frein avant

Vorderradbremsankerplatte

Panel de freno delantero



B402-18

Service item	F.R.T.	Ref. No.	Part No.	Description	Reqd. No.		Serial No.	Area code
					CD 125T	CD 185T		
AXLE, RR. WHEEL	0.2	1	42301-401-680	AXLE, RR. WHEEL	1	1		
SHOE COMP., RR. BRAKE (ONE OR ALL)	0.4	2	43120-329-670	SHOE COMP., RR. BRAKE	2	2		
SUB PANEL COMP., FR. BRAKE INC. RELATIVE PART		3	43141-399-000	CAM, RR. BRAKE	1	1		
GEAR COMP., SPEEDOMETER	0.3	4	43145-399-000	INDICATOR, RR. BRAKE	1	1		
ARM, FR. BRAKE INC. RELATIVE PART	0.1	5	43151-329-000	SPRING, RR. BRAKE SHOE	2	2		
		6	44804-402-003	GEAR COMP., SPEEDOMETER (YAMADA)	1	1		
		7	44809-402-000	WASHER, SPEEDOMETER GEAR	2	2		
		8	45010-402-003	SUB PANEL COMP., FR. BRAKE (YAMADA)	1	1		
		9	45134-250-000	DUST SEAL, BRAKE CAM	1	1		
		10	45410-402-000	ARM, FR. BRAKE	1	1		
		11	45435-121-010	SPRING, FR. BRAKE ARM RETURN	1	1		
		12	45435-250-000	SPRING, FR. BRAKE ARM RETURN	1	1		

1978.10.10

H3



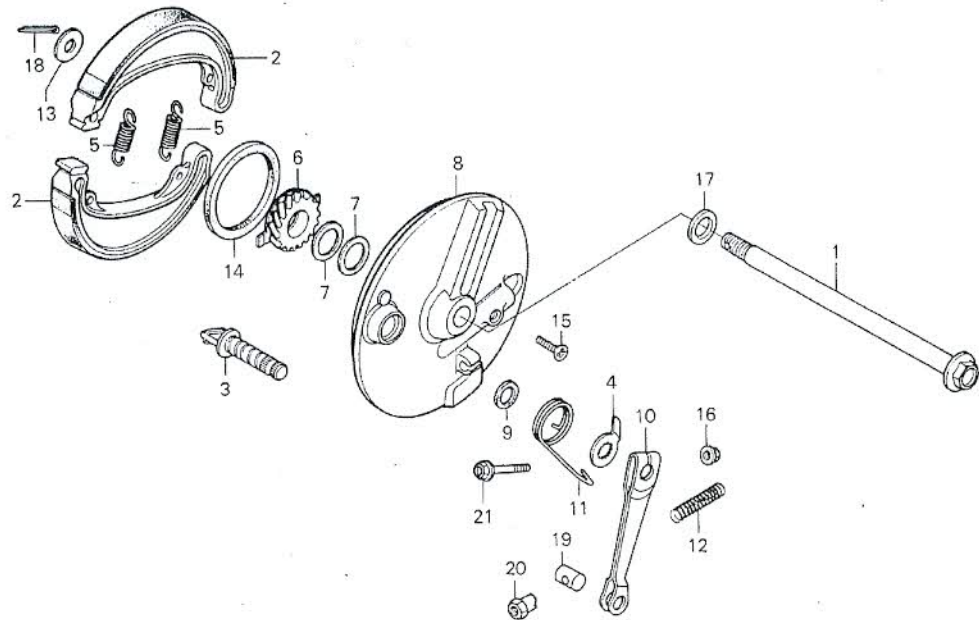
F-7

Front brake panel

Plateau de frein avant

Vorderradbremssankerplatte

Panel de freno delantero



8402-18

Service item	F.R.T.	Ref. No.	Part No.	Description	Reqd. No.		Serial No.	Area code
					CD	CD		
		13	90524-030-000	WASHER A, HANDLE HOLDER SETTING	1	1		
		14	91251-230-003	OIL SEAL, 54X66X7	1	1		
		15	93700-05016-0A	SCREW, DVAL, 5X16	1	1		
		16	94050-06000	NUT, FLANGE, 6MM	1	1		
		17	94102-14000	WASHER, PLAIN, 14MM	1	1		
		18	94201-20200	PIN, SPLIT, 2.0X20	1	1		
		19	95015-32001	JOINT B, BRAKE ARM	1	1		
		20	95015-42000	NUT B, BRAKE ROD ADJUST	1	1		
		21	95700-06035-00	BOLT, FLANGE, 6X35	1	1		

H 5

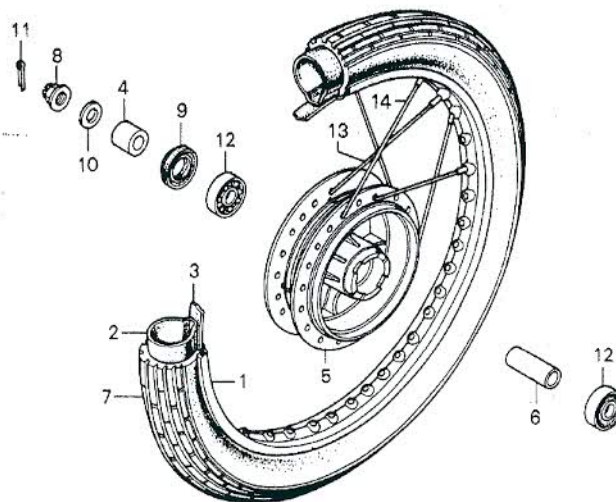
F-8

Front wheel

Roue avant

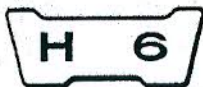
Vorderrad

Rueda delantera



B402-19

Service item	F.R.T.	Ref. No.	Part No.	Description	Reqd. No.		Serial No.	Area code
					CD 125T	CD 185T		
RIM, RR. WHEEL	2.2	1	42701-402-003	RIM, RR. WHEEL (DAIDO)	1		2019268	
TUBE, TIRE	0.9					1		
FLAP, TIRE			44701-419-671	RIM, FR. WHEEL			2019269	
TIRE, FR.		2	42712-102-009	TUBE, TIRE (2.75-17 YOKOHAMA)	1	1		
HUB COMP., FR. WHEEL	2.6							
COLLAR, FR. AXLE DISTANCE	0.4		44712-303-006	TUBE, TIRE (3.00-17 NITTO)	1	1		
BEARING, RADIAL BALL, 6302U (ADD 0.1 FOR EACH.)		3	42713-102-009	FLAP, TIRE (17 YOKOHAMA)	1	1		
OIL SEAL, 26X42X7	0.3		44713-200-006	FLAP, TIRE (17 NITTO)	1	1		
		4	44312-402-000	COLLAR, FR. WHEEL SIDE	1	1		
		5	44601-402-000	HUB COMP., FR. WHEEL	1	1		
		6	44620-230-000	COLLAR, FR. AXLE DISTANCE	1	1		
		7	44711-353-006	TIRE, FR. WHEEL	1	1		
			44711-402-009	TIRE, FR. (3.00-17 YOKOHAMA)	1	1		
		8	90305-401-680	NUT, AXLE, 14MM	1	1		
		9	91252-230-003	OIL SEAL, 26X42X7	1	1		
		10	94102-14000	WASHER, PLAIN, 14MM	1	1		



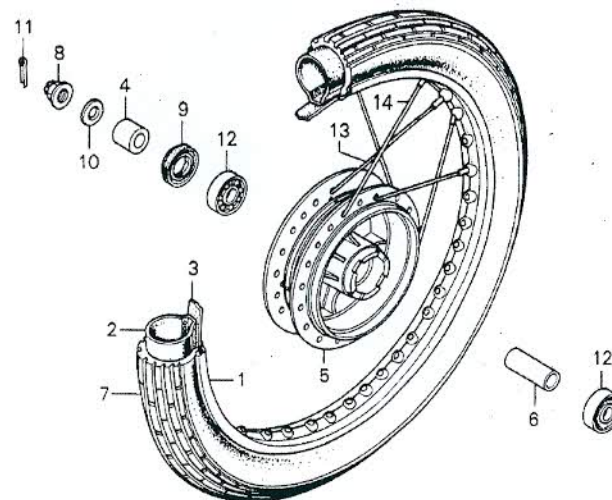
F-8

Front wheel

Roue avant

Vorderrad

Rueda delantera



B402-19

Service item	F.R.T.	Ref. No.	Part No.	Description	Reqd. No.		Serial No.	Area code
					CD	CD		
					125T	185T		
		11	94201-30250	PIN, SPLIT, 3.0X25	1	1		
		12	96140-63020-10	BEARING, RADIAL BALL, 6302U	2	2		
		13	97230-41138-10	SPOKE A, 10X149 (INSIDE)	18	18		
		14	97716-41137-10	SPOKE A, 10X148.5 (OUTSIDE)	18	18		

1978.10.10

H6

H 7

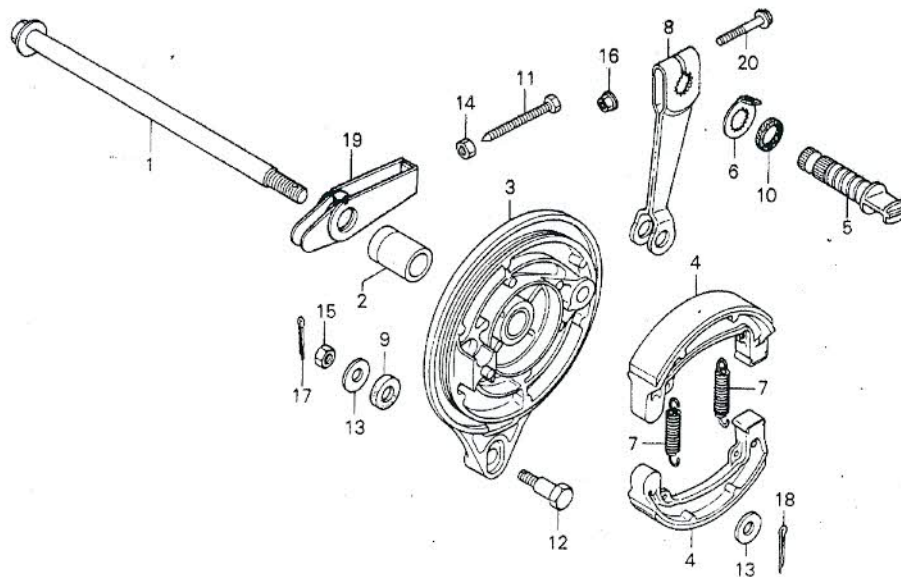
F-9

Rear brake panel

Plateau de frein arrière

Hinterradbremstanherplatte

Panel de freno trasero



B402-20

Service item	F.R.T.	Ref. No.	Part No.	Description	Reqd. No.		Serial No.	Area code
					CD 125T	CD 185T		
AXLE, RR. WHEEL	0.4	1	42301-303-010	AXLE, RR. WHEEL	1	1		
INC. RELATIVE PART		2	42313-399-000	COLLAR, RR. BRAKE PANEL SIDE	1	1		
PANEL COMP., RR. BRAKE	0.6	3	43100-399-003	PANEL COMP., RR. BRAKE (YAMADA)	1			
INC. RELATIVE PART								
SHOE COMP., RR. BRAKE (ONE OR ALL)								
CAM, RR. BRAKE	0.1		43100-399-013	PANEL COMP., RR. BRAKE	1		2015843	2015842
INC. RELATIVE PART		4	43120-362-000	SHOE COMP., RR. BRAKE	2	2		
		5	43141-399-000	CAM, RR. BRAKE	1	1		
		6	43145-399-000	INDICATOR, RR. BRAKE	1	1		
		7	43151-329-000	SPRING, RR. BRAKE SHOE	2	2		
		8	43410-402-000	ARM, RR. BRAKE	1	1		
		9	43434-286-000	RUBBER, STOPPER ARM CUSHION	1	1		
		10	45134-250-000	DUST SEAL, BRAKE CAM	1	1		
		11	90119-258-000	BOLT, CHAIN ADJUSTING	1	1		
		12	90127-400-000	BOLT, RR. BRAKE STOPPER	1	1		

H 8

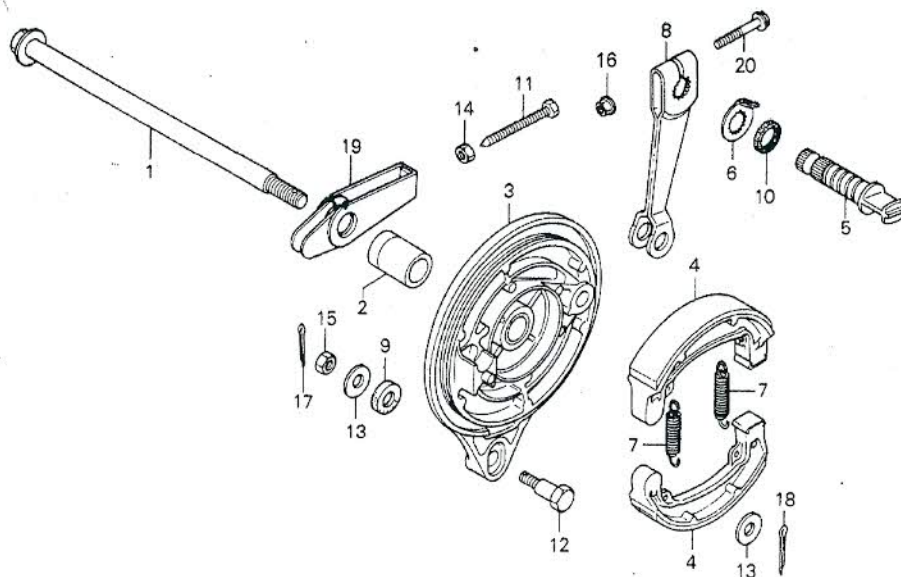
F-9

Rear brake panel

Plateau de frein arrière

Hinterradbremstanherplatte

Panel de freno trasero



8402-20

Service item	F.R.T.	Ref. No.	Part No.	Description	Reqd. No.		Serial No.	Area code
					CD 125T	CD 185T		
		13	90524-030-000	WASHER A, HANDLE HOLDER SETTING	2	2		
		14	94001-06000	NUT, HEX., 6MM	1	1		
		15	94001-08000-05	NUT, HEX., 8MM	1	1		
		16	94050-06000	NUT, FLANGE, 6MM	1	1		
		17	94201-20180	PIN, SPLIT, 2.0X18	1	1		
		18	94201-20200	PIN, SPLIT, 2.0X20	1	1		
		19	95014-15100	ADJUSTER, FR. CHAIN	1	1		
		20	95700-06035-00	BOLT, FLANGE, 6X35	1	1		

1978.10.10

H8

H 9

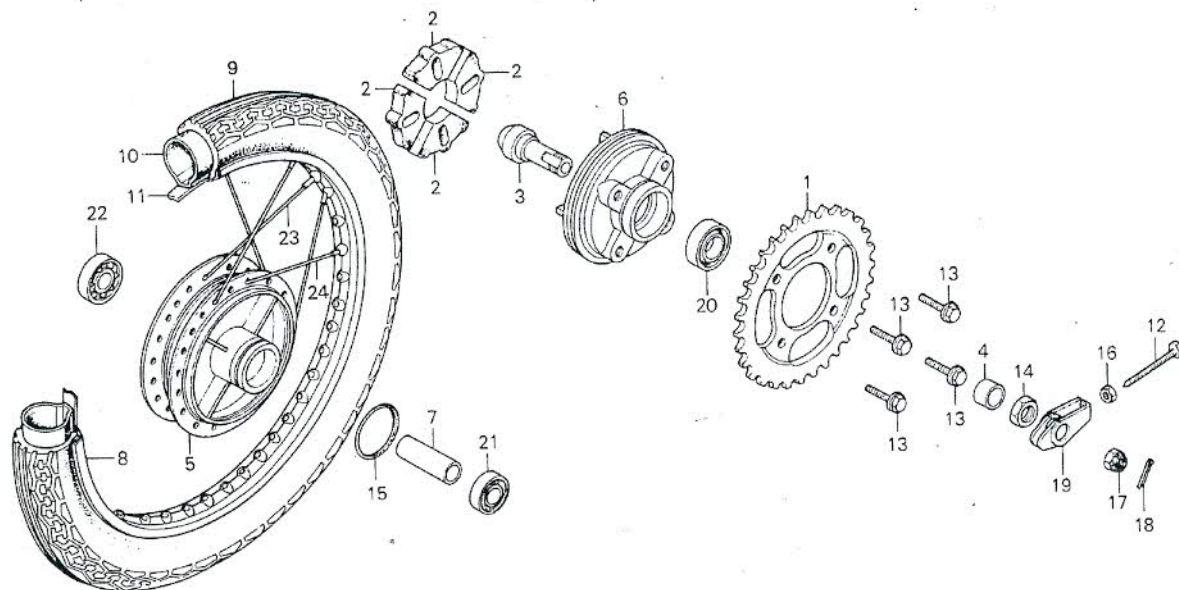
F-10

Rear wheel

Roue arrière

Hinterrad

Rueda trasera



B402-21

Service item	F.R.T.	Ref. No.	Part No.	Description	Reqd. No.		Serial No.	Area code
					CD	CD		
SPROCKET, FINAL DRIVEN	0.7	1	41201-402-000	SPROCKET, FINAL DRIVEN (43T)	1			
DAMPER, RR. WHEEL (ONE OR ALL)	0.4		41201-418-710	SPROCKET, FINAL DRIVEN (34T)	1			
HUB COMP., RR. WHEEL	2.8							
FLANGE, FINAL DRIVEN	0.8	2	41241-402-010	DAMPER, RR. WHEEL	4	4		
BEARING, RADIAL BALL, 6005		3	42303-402-000	SLEEVE, RR. AXLE	1	1		
COLLAR, RR. AXLE DISTANCE	0.6	4	42304-402-000	COLLAR, RR. AXLE SLEEVE	1	1		
BEARING, RADIAL BALL, 6202U								
BEARING, RADIAL BALL, 6302U		5	42601-402-000	HUB COMP., RR. WHEEL	1	1		
RIM, RR. WHEEL	2.4							
TIRE, RR. WHEEL	1.1	6	42610-402-000	FLANGE, FINAL DRIVEN	1	1		
TUBE, TIRE		7	42620-402-000	COLLAR, RR. AXLE DISTANCE	1	1		
FLAP, TIRE								
		8	42701-402-003	RIM, RR. WHEEL (DAIDO)	1			
						1	2019268	
			44701-419-671	RIM, FR. WHEEL	1		2019269	
		9	42711-383-612	TIRE, RR. WHEEL (3.00-17 NITTO)	1	1		
			42711-402-681	TIRE, RR. (3.00-17 YOKOHAMA)	1	1		

1978.10.10

H9

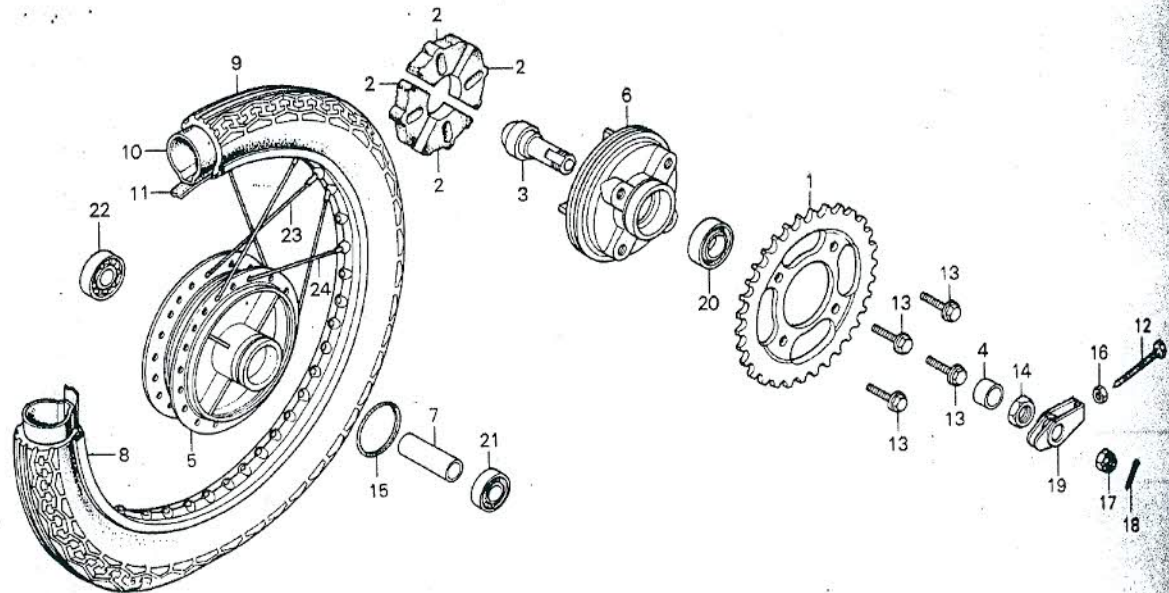
H 11**F-10**

Rear wheel

Roue arrière

Hinterrad

Rueda trasera



B402-21

Service item	F.R.T.	Ref. No.	Part No.	Description	Reqd. No.		Serial No.	Area code
					CD	CD		
		21	96140-62020-10	BEARING, RADIAL BALL, 6202U	1	1		
		22	96140-63020-10	BEARING, RADIAL BALL, 6302U	1	1		
		23	97395-52143-10	SPOKE B, 9X151.5 (INSIDE)	18	18		
		24	97743-52142-10	SPOKE B, 9X151 (OUTSIDE)	18	18		

1978.10.10

H11

H 10

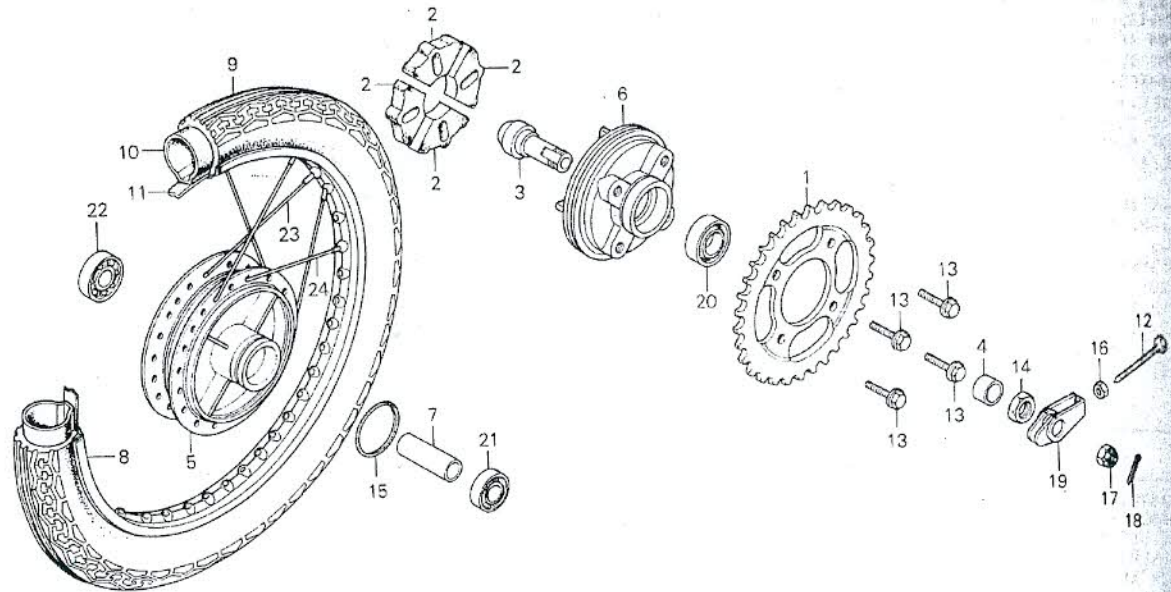
F-10

Rear wheel

Roue arrière

Hinterrad

Rueda trasera



8402-21

Service item	F.R.T.	Ref. No.	Part No.	Description	Reqd. No.		Serial No.	Area code
					CD	CD		
					125T	185T		
		10	42712-102-009	TUBE, TIRE (2.75-17 YOKOHAMA)	1	1		
			44712-303-006	TUBE, TIRE (3.00-17 NITTO)	1	1		
		11	42713-102-009	FLAP, TIRE (17 YOKOHAMA)	1	1		
			44713-200-006	FLAP, TIRE (17 NITTO)	1	1		
		12	90119-258-000	BOLT, CHAIN ADJUSTING	1	1		
		13	90128-402-000	BOLT, FINAL SPROCKET	4	4		
		14	90307-200-000	NUT, RR. AXLE SLEEVE	1	1		
		15	91304-704-000	O-RING, 42MM	1	1		
		16	94001-06000	NUT, HEX., 6MM	1	1		
		17	94011-14000-05	NUT, CASTLE, 14MM	1	1		
		18	94201-30250	PIN, SPLIT, 3.0X25	1	1		
		19	95014-15200	ADJUSTER, FR. CHAIN	1	1		
		20	96120-60050-10	BEARING, RADIAL BALL, 6005	1	1		

H 11

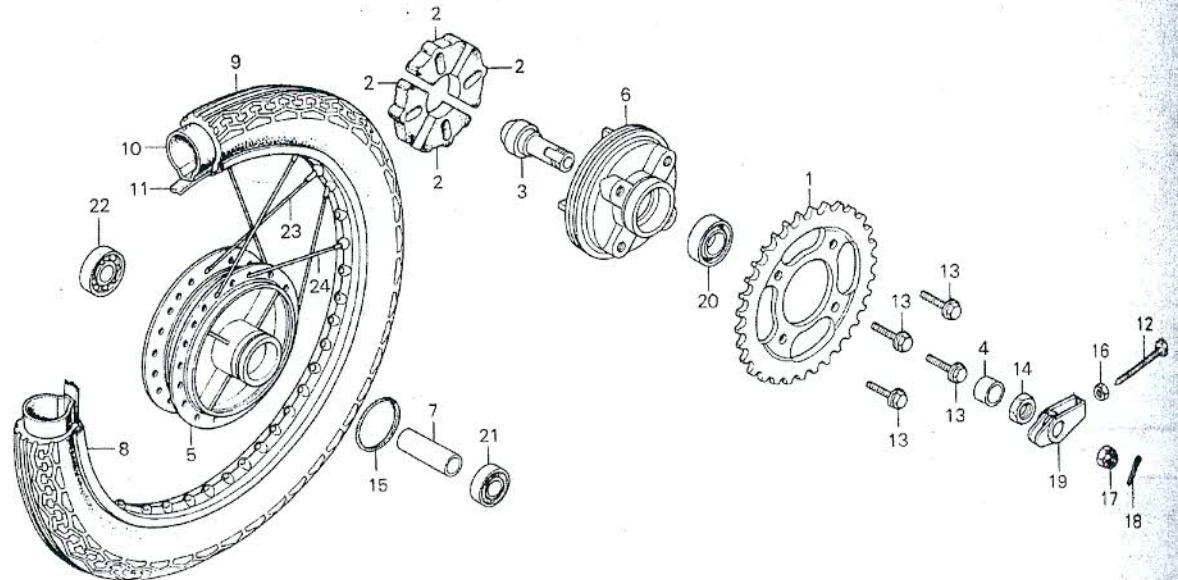
F-10

Rear wheel

Roue arrière

Hinterrad

Rueda trasera



8402-21

Service item	F.R.T.	Ref. No.	Part No.	Description	Reqd. No.		Serial No.	Area code
					CD 125T	CD 185T		
		21	96140-62020-10	BEARING, RADIAL BALL, 6202U	1	1		
		22	96140-63020-10	BEARING, RADIAL BALL, 6302U	1	1		
		23	97395-52143-10	SPOKE B, 9X151.5 (INSIDE)	18	18		
		24	97743-52142-10	SPOKE B, 9X151 (OUTSIDE)	18	18		

1978.10.10

H11

H 12

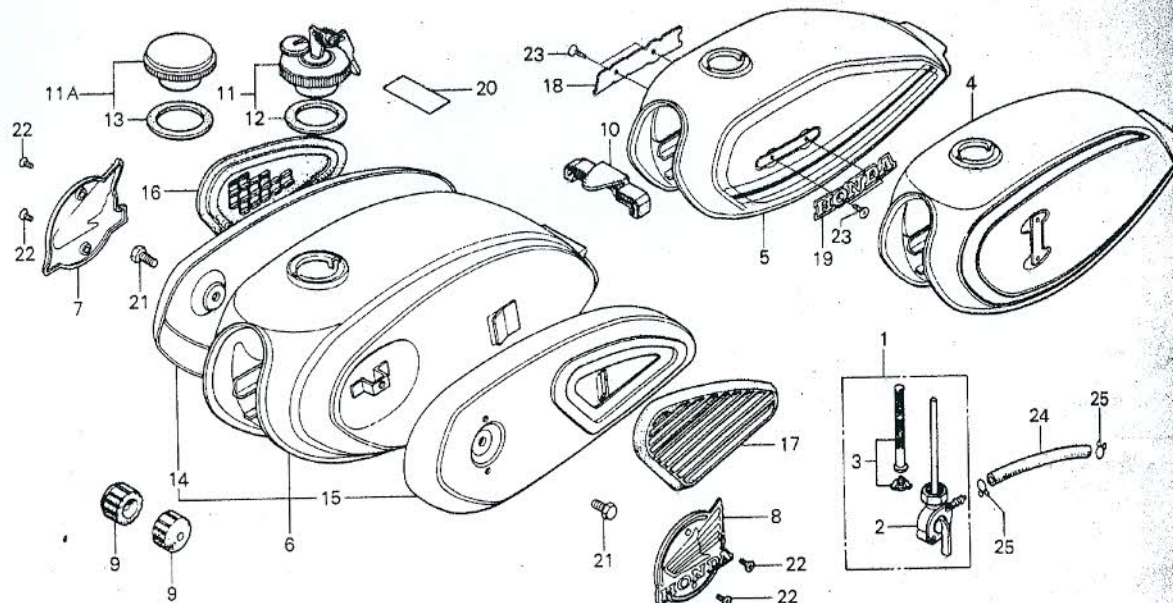
F-11

Fuel tank • Cock

Réservoir d'essence • Robinet

Benzintank • Hahn

Tanque de combustible • Grifo



B418-78

Service item	F.R.T.	Ref. No.	Part No.	Description	Reqd. No.		Serial No.	Area code
					CD 125T	CD 185T		
COCK ASSY., FUEL	0.2	1	16950-377-701	COCK ASSY., FUEL	1	1		
INC. RELATIVE PART		2	16951-377-701	BODY COMP., FUEL COCK	1	1		
TANK ASSY., FUEL	0.3							
TANK COMP., FUEL	0.4	3	16952-377-701	SCREEN SET, FUEL STRAINER	1	1		
EMBLEM, FUEL TANK	0.1							
COVER, FUEL TANK		4	17500-402-000ZA	TANK ASSY., FUEL *NH-1*		1		
INC. RELATIVE PART		5	17500-418-630ZA	TANK ASSY., FUEL *NH-1*		1		E2
TUBE, FUEL, 4.5X120			17500-418-630ZB	TANK ASSY., FUEL *PB-54*		1		E2
		6	17510-418-710ZA	TANK COMP., FUEL *NH-1*		1		DK,DM,E,NR,SA
			17510-418-710ZB	TANK COMP., FUEL *PB-7C*		1		DK,DM,E,NR,SA
			17510-418-710ZC	TANK COMP., FUEL *R-4C*		1		DK,DM,E,NR,SA
		7	17527-402-000	EMBLEM, R. FUEL TANK	1	1		DK,DM,E,NR,SA

H 13

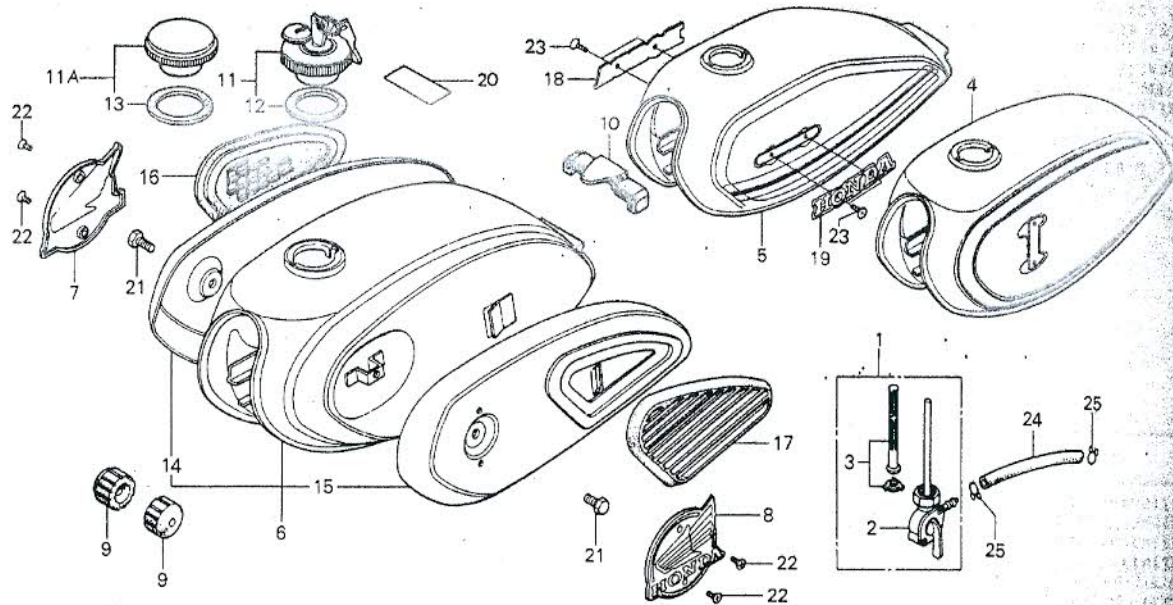
F-11

Fuel tank • Cock

Réservoir d'essence • Robinet

Benzintank • Hahn

Tanque de combustible • Grifo



8418-78

Service item	F.R.T.	Ref. No.	Part No.	Description	Reqd. No.		Serial No.	Area code
					CD 125T	CD 185T		
		8	17528-402-000	EMBLEM, L. FUEL TANK	1	1		DK,DM,E,NR,SA
		9	17611-286-000	CUSHION, FUEL TANK FR.	2	2		
		10	17613-399-000	CUSHION, FUEL TANK RR.	1	1		
		11	17620-028-004	CAP CMP., FUEL FILLER (HONDA LOCK)	1	1		DK,DM,NR,SA
		11A	17620-329-000	CAP CMP., FUEL FILLER	1			E2,E
		12	17631-259-000	GASKET, FUEL FILLER CAP	1	1		DK,DM,NR,SA
		13	17631-329-000	PACKING, FUEL FILLER CAP	1			E2,E
		14	17640-418-710	COVER, R. FUEL TANK	1			DK,DM,E,NR,SA
		15	17650-418-710	COVER, L. FUEL TANK	1			DK,DM,E,NR,SA
		16	17661-418-710	RUBBER, R. KNEE GRIP	1			DK,DM,E,NR,SA

1978.10.10

H13

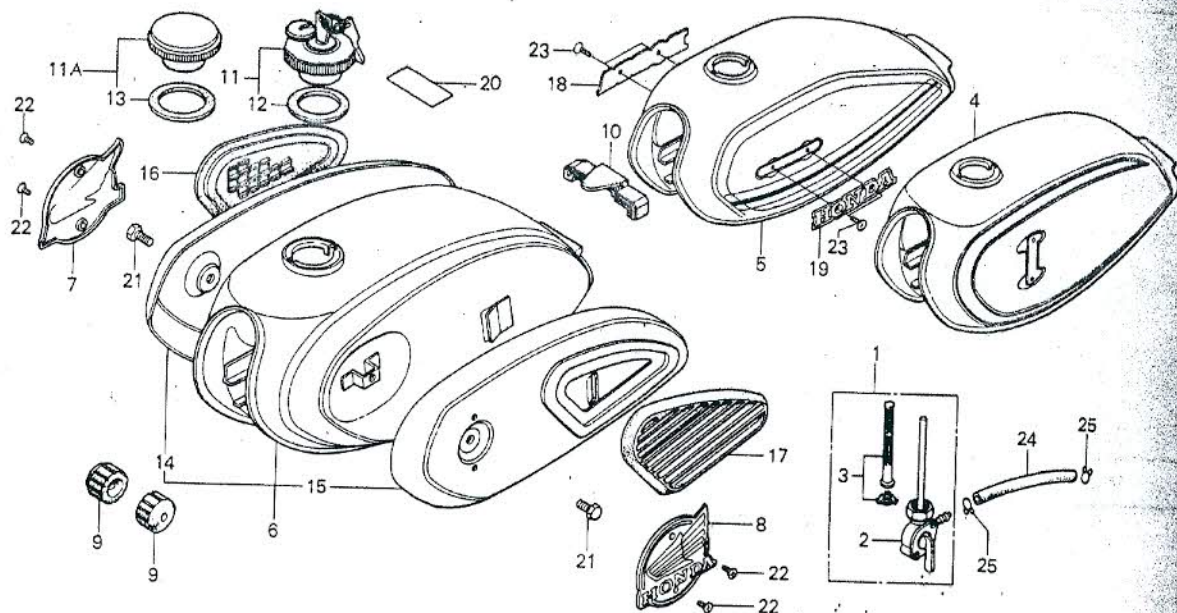
H 14**F-11**

Fuel tank • Cock

Réservoir d'essence • Robinet

Benzintank • Hahn

Tanque de combustible • Grifo



8418-78

Service item	F.R.T.	Ref. No.	Part No.	Description	Read. No. CD CD 125T 185T	Serial No.	Area code
		17	17662-418-710	RUBBER, L. KNEE GRIP	1		
		18	87121-418-630	EMBLEM, R. FUEL TANK	1		DK,DM,E,NR,SA E2
		19	87122-418-630	EMBLEM, L. FUEL TANK	1		E2
		20	87560-375-680A	MARK, DRIVE CAUTION	1	1	
		21	92000-06008	BOLT, HEX., 6X8	2		
		22	93700-03006-06	SCREW, OVAL, 3X6	4		DK,DM,E,NR,SA
		23	93700-03010-03	SCREW, OVAL, 3X10	4		DK,DM,E,NR,SA
		24	95001-45120-40	TUBE, FUEL, 4.5X120	1	1	
		25	95002-02080	CLIP 88, TUBE	2	2	

H 15

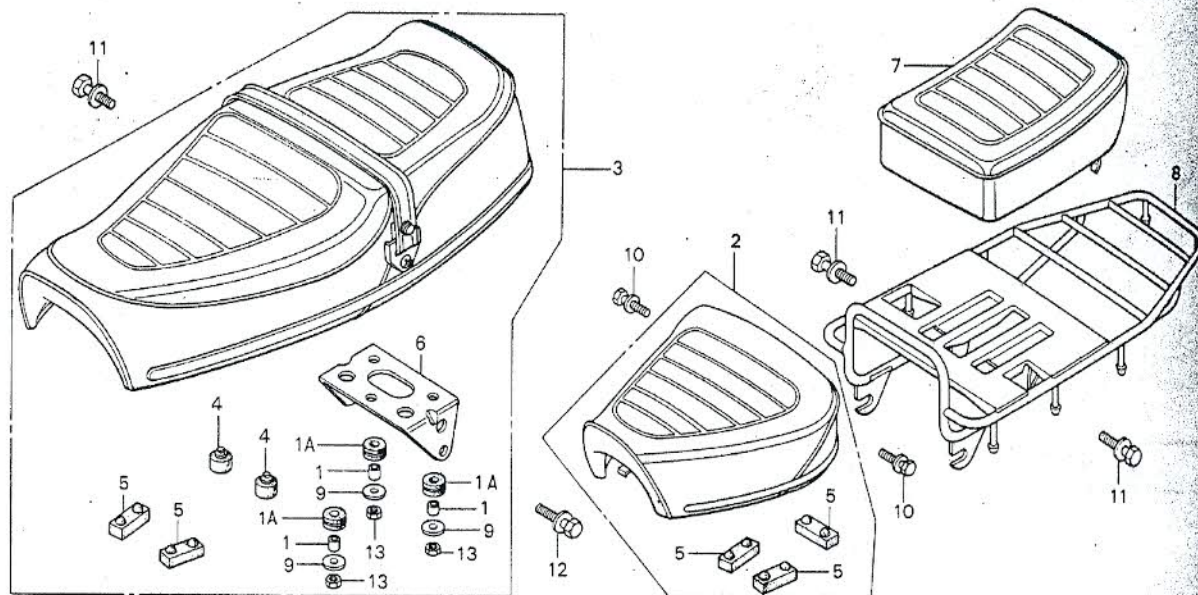
F-12

Seat • Carrier

Siege • Porte-bagages

Sitz • Träger

Asiento • Portaequipajes



B418-6

Service item	F.R.T.	Ref. No.	Part No.	Description	Reqd. No.		Serial No.	Area code	
					CD	125T 185T			
SEAT ASSY., SINGLE SEAT COMP., DOUBLE SEAT COMP., PILLION CARRIER, LUGGAGE	0.1	1	33603-053-650	COLLAR, RR. WINKER STAY	3			DK,DM,E2,E,SA	
		1A	61103-357-000	RUBBER, FR. FENDER MOUNT	3			DK,DM,E2,E,SA	
		2	77100-402-000	SEAT ASSY., SINGLE	1			NR	
		3	77200-418-600	SEAT COMP., DOUBLE	1			DK,DM,E2,E,SA	
		4	77201-074-000	RUBBER, SEAT CUSHION	2			DK,DM,E2,E,SA	
		5	77205-292-010	RUBBER B, SEAT SETTING	3	2		DK,DM,E2,E,SA	
						3			NR
		6	77207-418-600	STAY, RR.	1			DK,DM,E2,E,SA	
		7	77300-418-710	SEAT COMP., PILLION	1			NR	
		8	81200-418-710	CARRIER, LUGGAGE	1	1		NR	
9	90563-355-000	WASHER, WHEEL, 6MM		3		NR			
10	93481-06016-00	BOLT-WASHER, 6X16		2		DK,DM,E2,E,SA			
					2		NR		

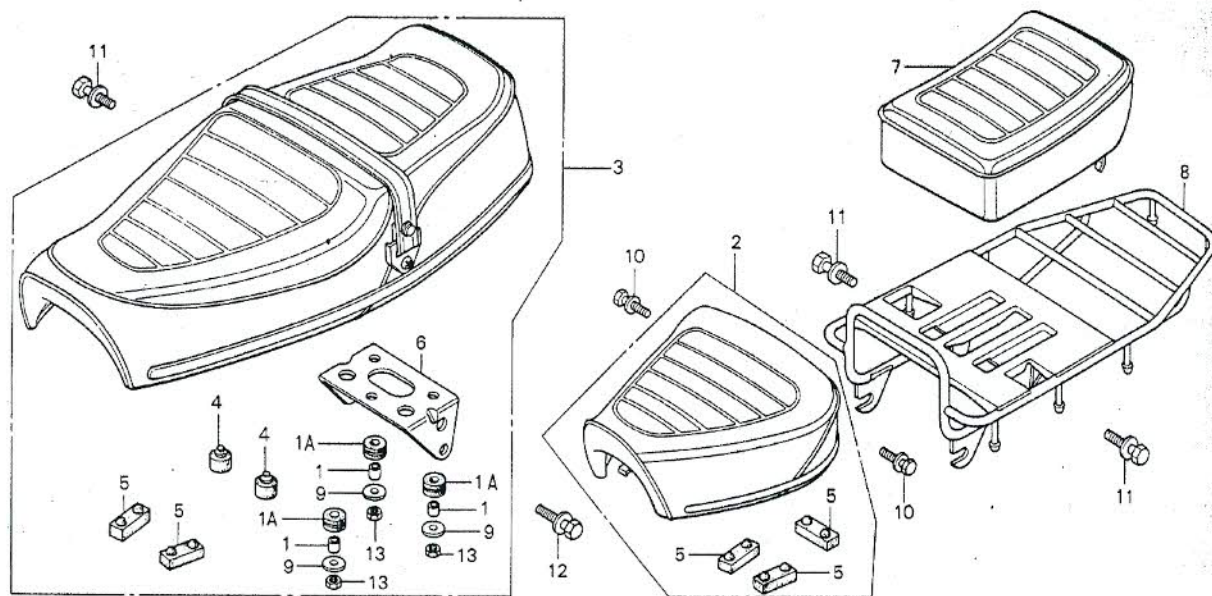
H 16**F-12**

Seat • Carrier

Siege • Porte-bagages

Sitz • Träger

Asiento • Portaequipajes



B418-8

Service item	F.R.T.	Ref. No.	Part No.	Description	Reqd. No.		Serial No.	Area code
					CD	CD		
		11	93481-08020-00	BOLT-WASHER, 8X20	2	1		DK,DM,E2,E,SA
		12	93481-08025-00	BOLT-WASHER, 8X25		2		NR
		13	94001-06000	NUT, HEX., 6MM		1		DK,DM,E,SA
						3		DK,DM,E2,E,SA

I 1

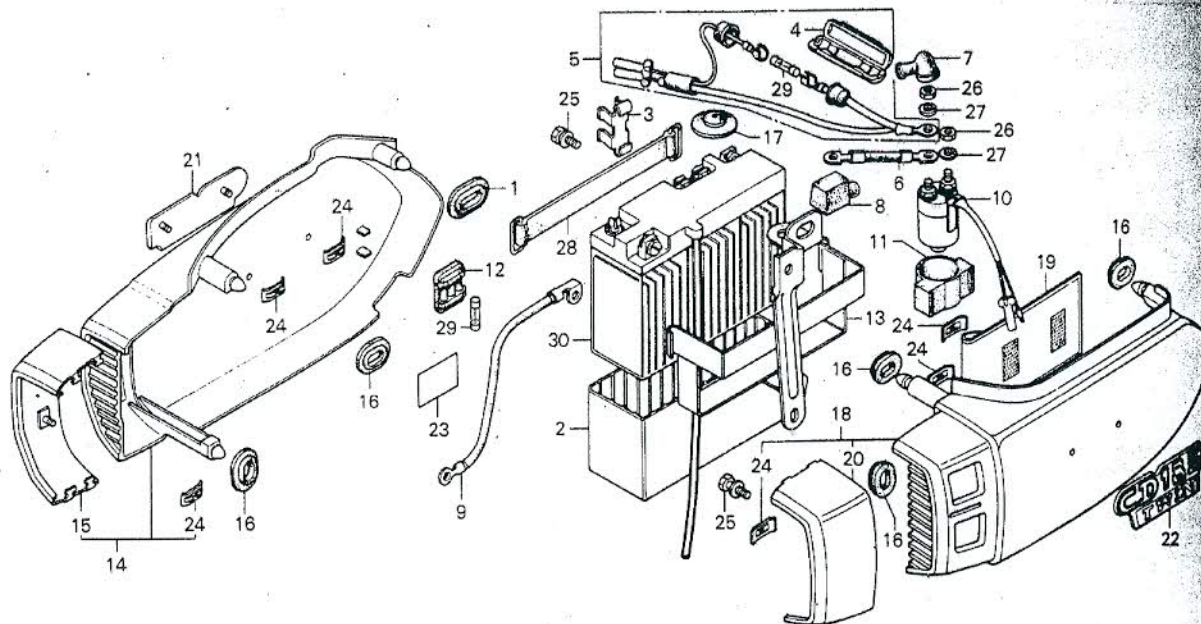
F-13

Side cover • Battery

Couvercle latéral • Batterie

Seitendeckel • Batterie

Cubierta lateral • Batería



B418-9

Service item	F.R.T.	Ref. No.	Part No.	Description	Req. CD	No. CD	Serial No.	Area code
					125T	185T		
SUB HARNESS, MAGNETIC SWITCH	0.1	1	17247-303-000	GROMMET A, AIR CLEANER CASE	1	1		
CABLE, STARTER BATTERY		2	31511-402-000	BOX, BATTERY MOUNTING	1	1		
COVER, SIDE		3	32113-361-000	HOLDER, FUSE	1	1		
INC. RELATIVE PART	0.2	4	32120-402-000	CASE, FUSE (20A)	1	1		
CABLE, BATTERY EARTH		5	32211-402-000	SUB HARNESS, MAGNETIC SWITCH	1	1		
BOX, BATTERY		6	32401-303-000	CABLE, STARTER BATTERY	1	1		DK,DM,E,NR,SA
BATTERY, 6N12A-2D		7	32411-253-000	COVER, STARTING MOTOR TERMINAL	1	1		
SWITCH ASSY., STARTER MAGNETIC	C.3	8	32412-402-000	COVER, BATTERY	1	1		
		9	32601-402-000	CABLE, BATTERY EARTH	1	1		
		10	35850-402-007	SWITCH ASSY., STARTER MAGNETIC (HONDA LOCK)	1	1		DK,DM,E,NR,SA
		11	35856-286-010	RUBBER, MAGNETIC SHOCK	1	1		DK,DM,E,NR,SA
		12	38205-115-000	CASE, FUSE	1	1		
		13	50325-402-000	BOX, BATTERY	1	1		
		14	83540-402-000ZA	COVER, R. SIDE *NH-1*	1	1		

I 2

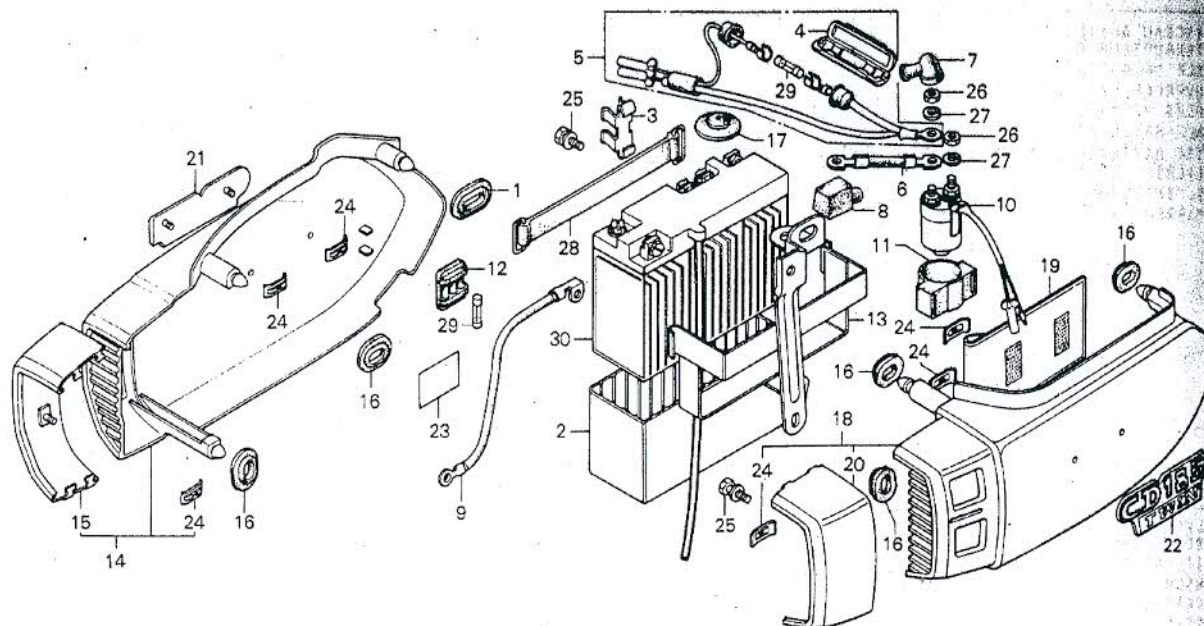
F-13

Side cover • Battery

Couvercle latéral • Batterie

Seitendeckel • Batterie

Cubierta lateral • Bateria



B418-9

Service item	F.R.T.	Ref. No.	Part No.	Description	Reqd. No.		Serial No.	Area code
					CD	CD		
			83540-402-000ZB	COVER, R. SIDE *PB-7C*		1		DK,DM,E,NR,SA
			83540-402-000ZC	COVER, R. SIDE *R-4C*		1		DK,DM,E,NR,SA
			83540-402-000ZD	COVER, R. SIDE *PB-54*		1		E2
15			83542-402-000	PROTECTOR, R.		1		
16			83551-300-000	3RDMMET, AIR CLEANER CASE		5		
17			83618-323-000	RUBBER, BATTERY BOX		1		
18			83640-402-000ZA	COVER, L. SIDE *NH-1*		1		
			83640-402-000ZB	COVER, L. SIDE *PB-7C*		1		DK,DM,E,NR,SA
			83640-402-000ZC	COVER, L. SIDE *R-4C*		1		DK,DM,E,NR,SA
			83640-402-000ZD	COVER, L. SIDE *PB-54*		1		E2
19			83642-355-000	BAG, OWNERS MANUAL		1		
20			83642-402-000	PROTECTOR, L.		1		
21			87134-402-000	EMBLEM, R. SIDE COVER		1		
			87134-418-600	EMBLEM, R. SIDE COVER		1		DK,DM,E2,E,SA

I 3

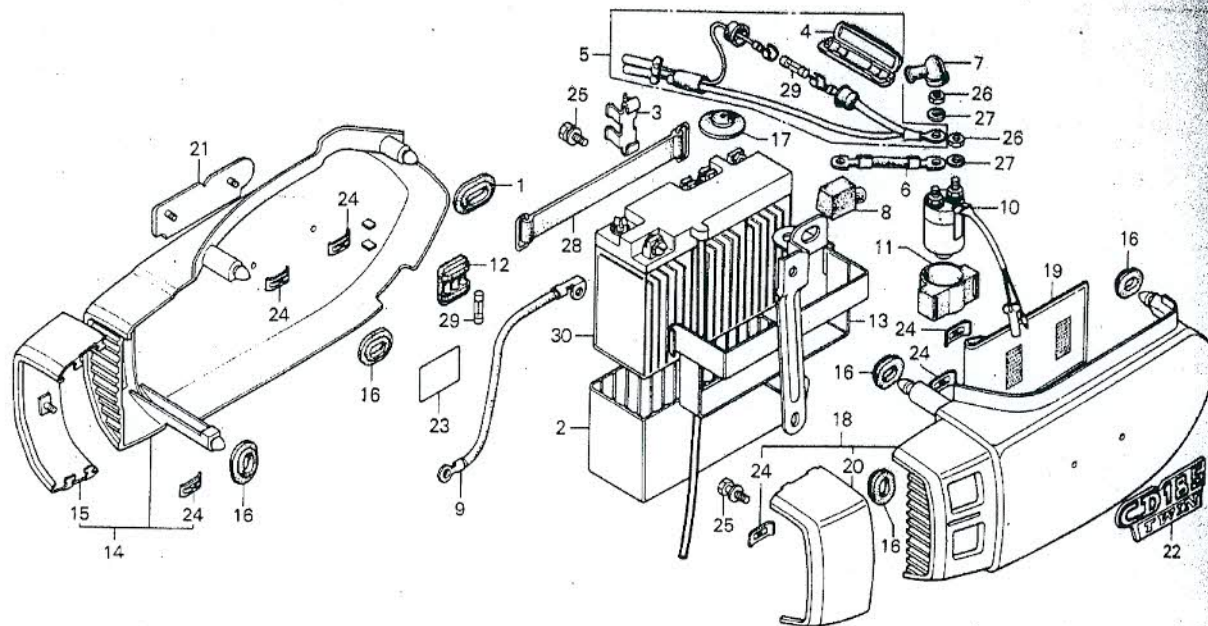
F-13

Side cover • Battery

Couvercle latéral • Batterie

Seitendeckel • Batterie

Cubierta lateral • Batería



B418-9

Service item	F.R.T.	Ref. No.	Part No.	Description	Reqd. No. CD CD 125T 185T	Serial No.	Area code
			87134-418-710	EMBLEM, R. SIDE COVER	1		NR
		22	87135-402-000	EMBLEM, L. SIDE COVER	1		
			87135-418-600	EMBLEM, L. SIDE COVER	1		DK,DM,E2,E,SA
			87135-418-710	EMBLEM, L. SIDE COVER	1		NR
		25	87506-402-680	MARK, BATTERY CAUTION	1		
			87506-418-680	MARK, BATTERY CAUTION	1		
		26	90315-504-000	NUT, SPEED, 3MM	6	6	
		27	93481-06012-00	BOLT-WASHER, 6X12	2	2	
		28	94002-06080	NUT, HEX., 6MM	2	2	DK,DM,E,NR,SA
		29	94111-06800	WASHER, SPRING, 6MM	2	2	DK,DM,E,NR,SA
		30	95012-17000	BAND F, BATTERY	1	1	
		31	98200-12000	FUSE A (20A)	2	2	
		32	98202-65240	BATTERY, 6N12A-2D	1	1	
			87500-402-680. A				
						2086957	

I 4

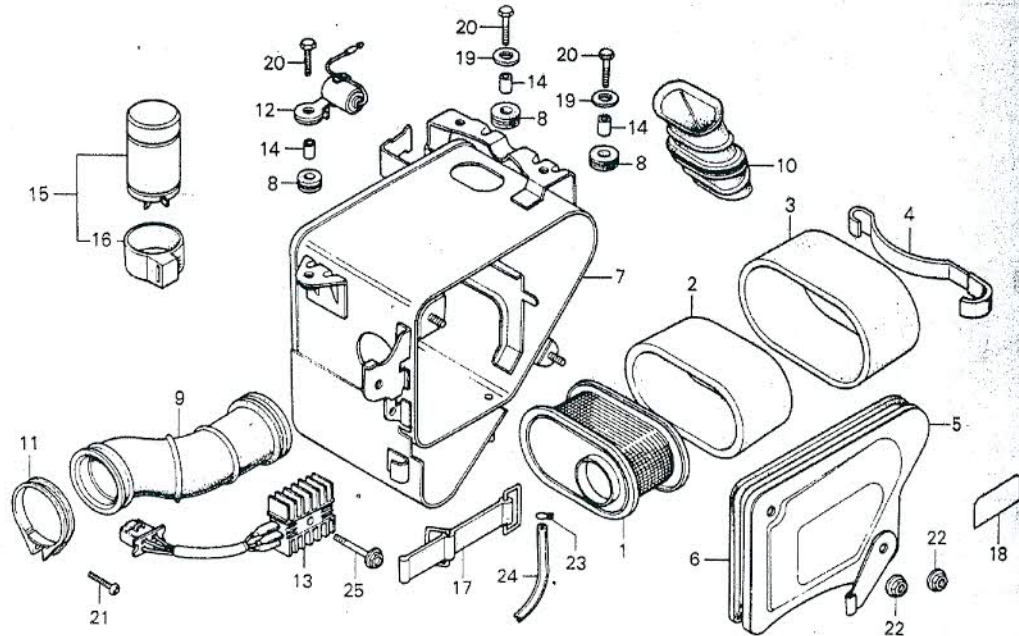
F-14

Air cleaner

Filtre à air

Luftfilter

Limpiador de aire



6418-10

Service item	F.R.T.	Ref. No.	Part No.	Description	Reqd. No.		Serial No.	Area code
					CD 125T	CD 185T		
ELEMENT A, AIR CLEANER INC. RELATIVE PART	0.1	1	17211-402-000	TRAP COMP., FRAME	1	1		
TUBE, AIR CLEANER IN.		2	17213-402-000	ELEMENT A, AIR CLEANER	1	1		
CONDENSER COMP.		3	17214-418-710	ELEMENT B, AIR CLEANER	1	1		DK, DM, NR, SA
RECTIFIER ASSY., SILICCN		4	17217-399-000	SPRING, ELEMENT SETTING	1	1		
RELAY ASSY., WINKER		5	17225-402-000	COVER, AIR CLEANER	1	1		
CASE COMP., AIR CLEANER	0.8	6	17226-402-300	PACKING, AIR CLEANER	1	1		
TUBE, AIR CLEANER CONNECTING	0.2	7	17230-402-000	CASE COMP., AIR CLEANER	1	1		
		8	17245-107-010	RUBBER, AIR CLEANER CASE MOUNTING	3	3		
		9	17253-402-000	TUBE, AIR CLEANER CONNECTING	1			
			17253-418-710	TUBE, AIR CLEANER CONNECTING	1			
		10	17254-402-000	TUBE, AIR CLEANER IN.	1	1		
		11	17255-300-010	BAND, CARBURETOR INSULATOR	1			

I 5

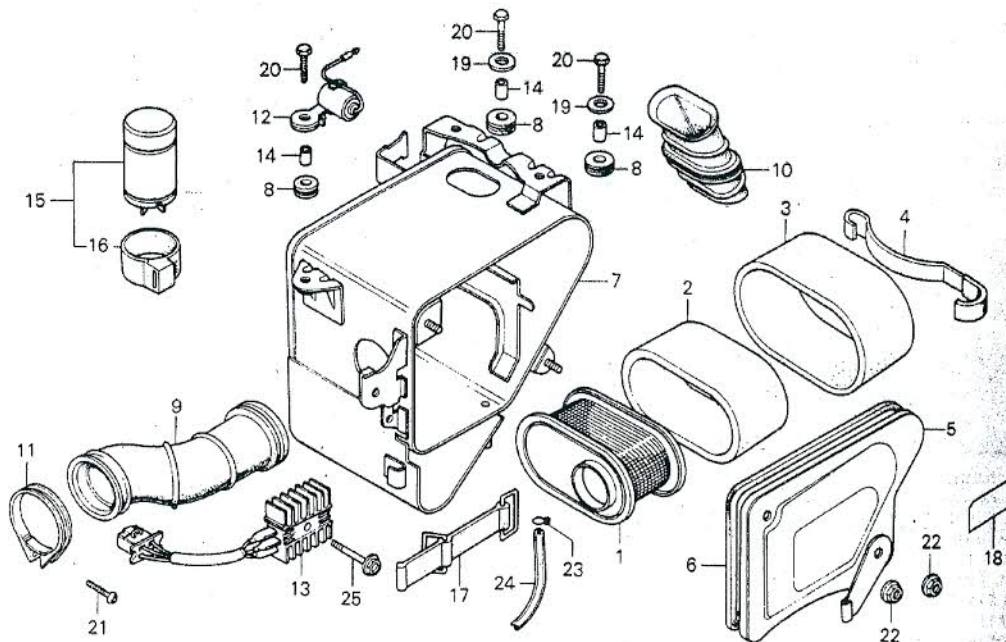
F-14

Air cleaner

Filtre à air

Luftfilter

Limpiador de aire



B418-10

Service item	F.R.T.	Ref. No.	Part No.	Description	Reqd. No.		Serial No.	Area code
					CD	CD		
			17255-323-000	BAND A, CLEANER CONNECTING TUBE	1			
		12	30250-402-000	CONDENSER COMP.	1			
			30250-402-010	CONDENSER COMP.	1	2077694	2077693	
			30250-402-020	CONDENSER COMP.	1	2086100	2086099	
		13	31700-418-003	RECTIFIER ASSY., SILICON (SHINDENGEN)	1			
		14	33603-053-650	COLLAR, RR. WINKER STAY	3			
		15	38300-402-004	RELAY ASSY., WINKER (MITSUBA)	1			DK, DM, NR, SA
			38300-418-600	RELAY ASSY., WINKER	1		2071798	E2, E
			38300-151-750	RELAY ASSY., WINKER	1	2071799		E2, E
		16	38306-292-000	SUSPENSION, WINKER RELAY	1			
		17	83606-356-000	BAND, SIDE COVER	1			
		18	87506-340-670	MARK, AIR CLEANER CAUTION	1			

I 6

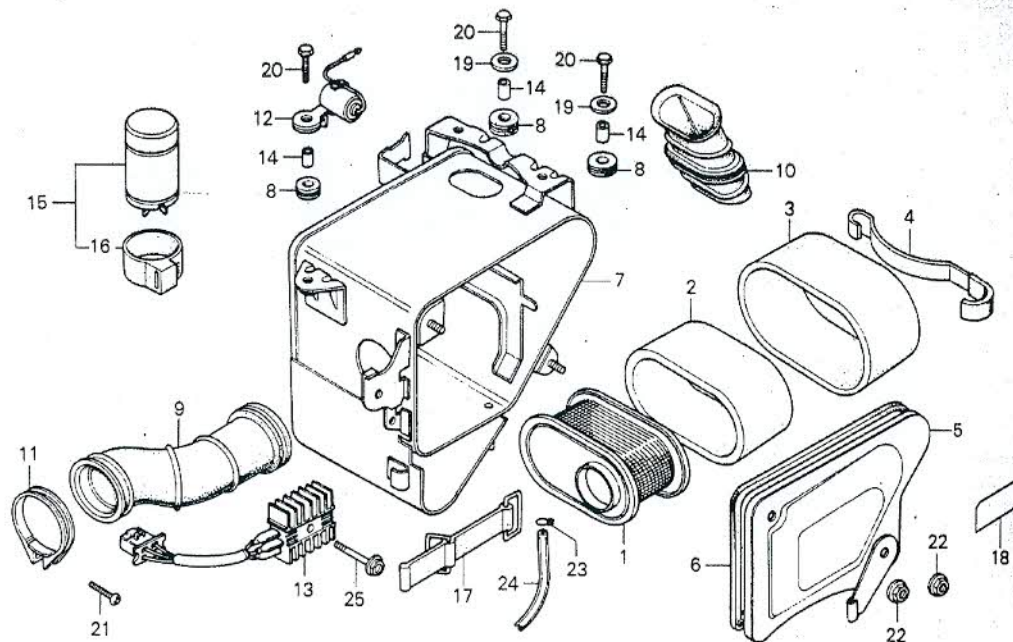
F-14

Air cleaner

Filtre à air

Luftfilter

Limpiador de aire



8418-N

Service item	F.R.T.	Ref. No.	Part No.	Description	Reqd. No.		Serial No.	Area code
					CD 125T	CD 185T		
		19	90563-355-000	WASHER, WHEEL, 6MM	2		2086099	
		20	92000-06022	BOLT, HEX., 6X22	3		2086100	
		21	93500-04025-0A	SCREW, PAN, 4X25	1			
		22	94050-06000	NUT, FLANGE, 6MM	2			
		23	95002-30000	CLIP C6, TUBE	1			
		24	95003-08035-10	TUBE, VINYL, 4.5X6.5X350	1			
		25	95700-06032-00	BOLT, FLANGE, 6X32	1			

I 7

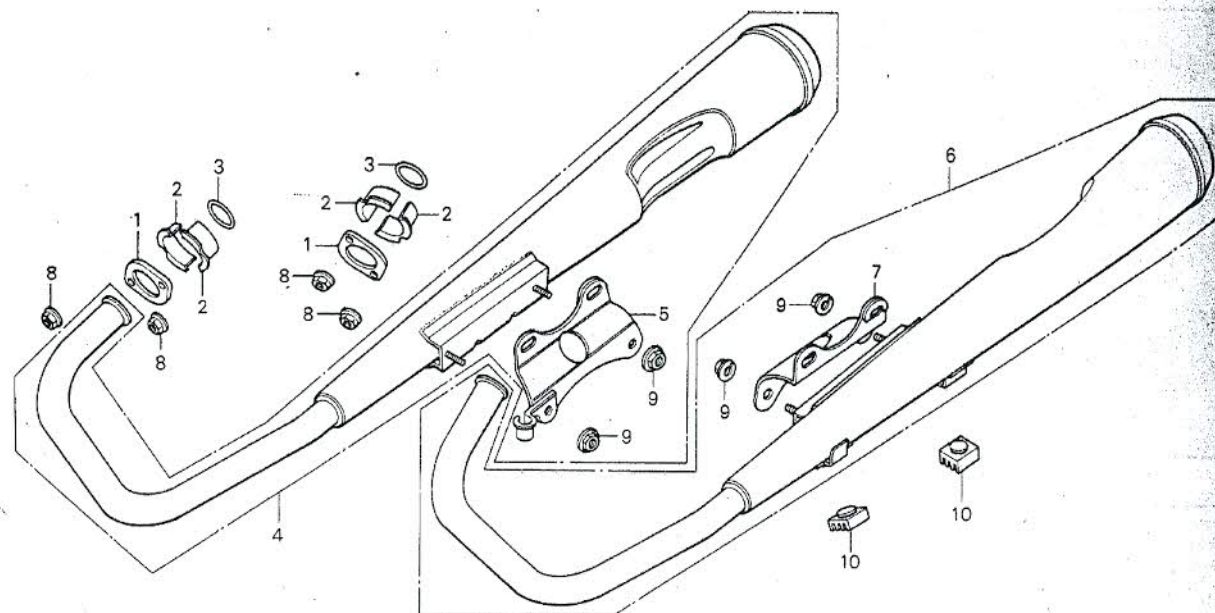
F-15

Exhaust muffler

Pot d'échappement

Auspufftopf

Silenciador



B402-26

Service item	F.R.T.	Ref. No.	Part No.	Description	Reqd. No.		Serial No.	Area code
					CD 125T	CD 185T		
COLLAR, EX. PIPE JOINT (ONE OR ALL)	0.1	1	18231-365-670	JOINT, EX. PIPE	2	2		
GASKET, EX. PIPE	0.2	2	18233-399-000	COLLAR, EX. PIPE JOINT	4	4		
(WHEN SERVICING COMP., UNIT, F.R.T. IS 0.3.)		3	18291-216-000	GASKET, EX. PIPE	2	2		
MUFFLER COMP., EX.		4	18300-418-000	MUFFLER COMP., R. EX.		1		DK, DM, E2, E, SA
INC. RELATIVE PART			18300-418-710	MUFFLER COMP., R. EX.		1		NR
			18300-402-000ZA	MUFFLER COMP., R. EX. *NH-1*		1		
		5	18325-402-000ZA	BRACKET, R. MUFFLER *NH-1*	1	1		
		6	18400-418-000	MUFFLER COMP., L. EX.		1		DK, DM, E2, E, SA
			18400-418-710	MUFFLER COMP., L. EX.		1		NR
			18400-402-000ZA	MUFFLER COMP., L. EX. *NH-1*		1		
		7	18425-399-003ZA	BRACKET, L. MUFFLER *NH-1* (SANKI)	1	1		

I 8

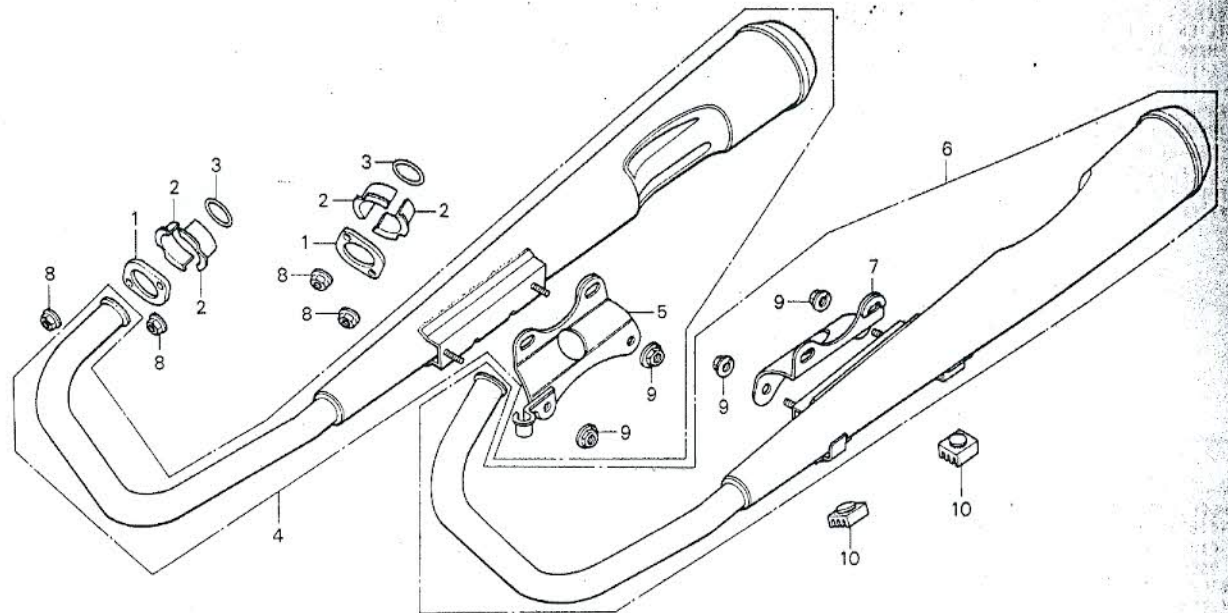
F-15

Exhaust muffler

Pot d'échappement

Auspufftopf

Silenciador



B402-26

Service item	F.R.T.	Ref. No.	Part No.	Description	Reqd. No.		Serial No.	Area code
					CD 125T	CD 185T		
		8	94050-06000	NUT, FLANGE, 6MM	4	4		
		9	94070-08080	NUT-WASHER, 8MM	4	4		
		10	95011-61000	RUBBER A, STAND STOPPER	2	2		

I 9

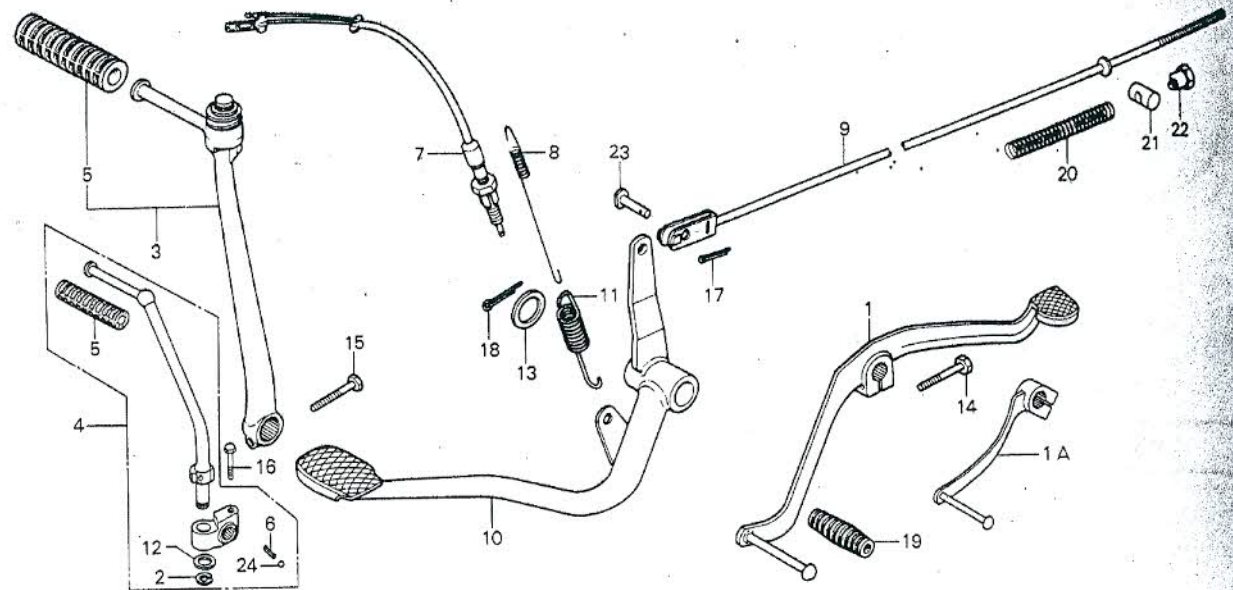
F-16

Pedal • Kick starter arm

Pédale • Bras de kick de démarrage

Pedal • Kickstarterarm

Pedal • Braço de arranque de pie



B402-27B

Service item	F.R.T.	Ref. No.	Part No.	Description	Reqd. No.		Serial No.	Area code
					CD 125T	CD 185T		
PEDAL, GEAR CHANGE ARM ASSY., KICK STARTER INC. RELATIVE PART	0.1	1	24700-402-000	PEDAL, GEAR CHANGE	1	1		DK,DM,E,NR,SA
		1A	24700-418-630	PEDAL, GEAR CHANGE		1		E2
SPRING, BRAKE PEDAL SWITCH ASSY., RR. STOP RED COMP., RR. BRAKE	0.2 0.3	2	28293-333-000	CLIP, KICK STARTER ARM		1		E2
PEDAL, BRAKE		3	28300-402-000	ARM ASSY., KICK STARTER	1	1		DK,DM,E,NR,SA
		4	28300-418-630	ARM ASSY., KICK STARTER		1		E2
		5	28311-342-000	RUBBER, KICK STARTER	1	1		
		6	28333-124-000	SPRING, KICK STARTER STOPPER		1		E2
		7	35350-149-003	SWITCH ASSY., RR. STOP	1	1		
		8	35357-107-010	SPRING, STOP SWITCH	1	1		
		9	43451-377-000	ROD COMP., RR. BRAKE	1	1		
		10	46500-402-000	PEDAL, BRAKE	1	1		DK,DM,E,NR,SA
			46500-418-630	PEDAL COMP., BRAKE		1		E2

I 10

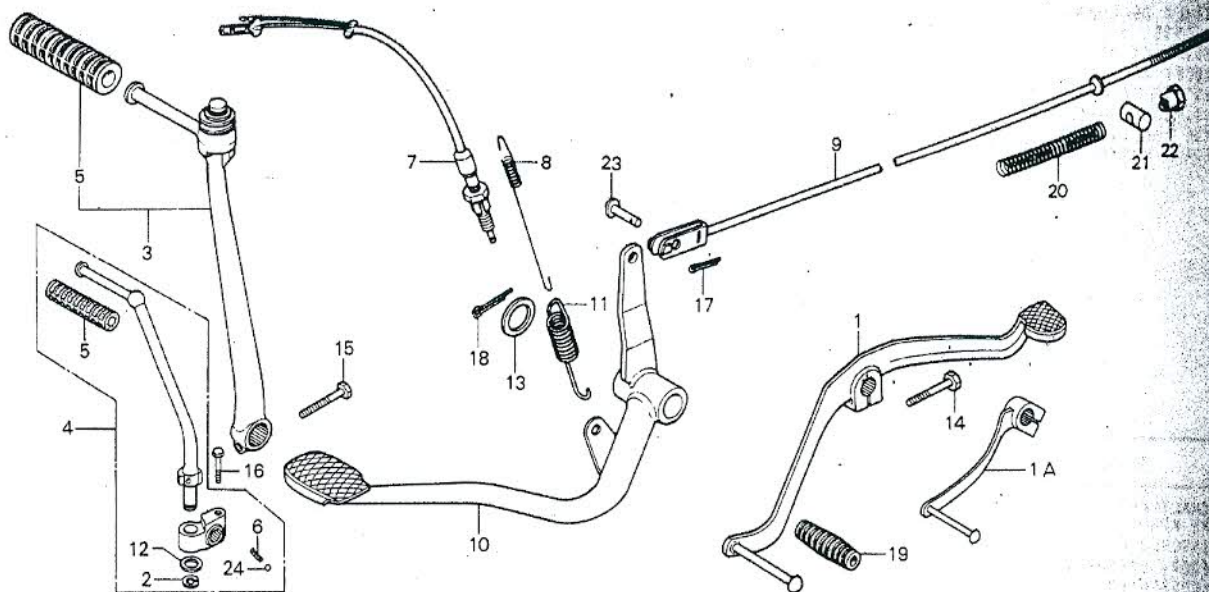
F-16

Pedal • Kick starter arm

Pédale • Bras de kick
de démarrage

Pedal • Kickstarterarm

Pedal •
Brazo de arranque de pie



B402-278

Service item	F.R.T.	Ref. No.	Part No.	Description	Reqd. No.		Serial No.	Area code
					CD 125T	CD 185T		
		11	46514-107-010	SPRING, BRAKE PEDAL	1	1		
		12	90505-116-670	WASHER, 13X20		1		E2
		13	90512-303-000	WASHER, 17,5MM	1	1		
		14	92000-06020	BOLT, HEX., 6X20	1	1		
		15	92000-06025	BOLT, HEX., 6X25	1	1		DK,DM,E,NR,SA
		16	92000-06032	BOLT, HEX., 6X32		1		E2
		17	94201-16120	PIN, SPLIT, 1.6X12	1	1		
		18	94201-30250	PIN, SPLIT, 3.0X25	1	1		
		19	95011-40000	RUBBER, CHANGE PEDAL	1	1		
		20	95014-73300	SPRING C, BRAKE ROD	1	1		
		21	95015-32001	JOINT B, BRAKE ARM	1	1		
		22	95015-42000	NUT B, BRAKE ROD ADJUST	1	1		
		23	95015-52000	PIN B, BRAKE ROD JOINT	1	1		
		24	96211-08000	BALL, STEEL, #8 (1/4)		1		E2

I 11

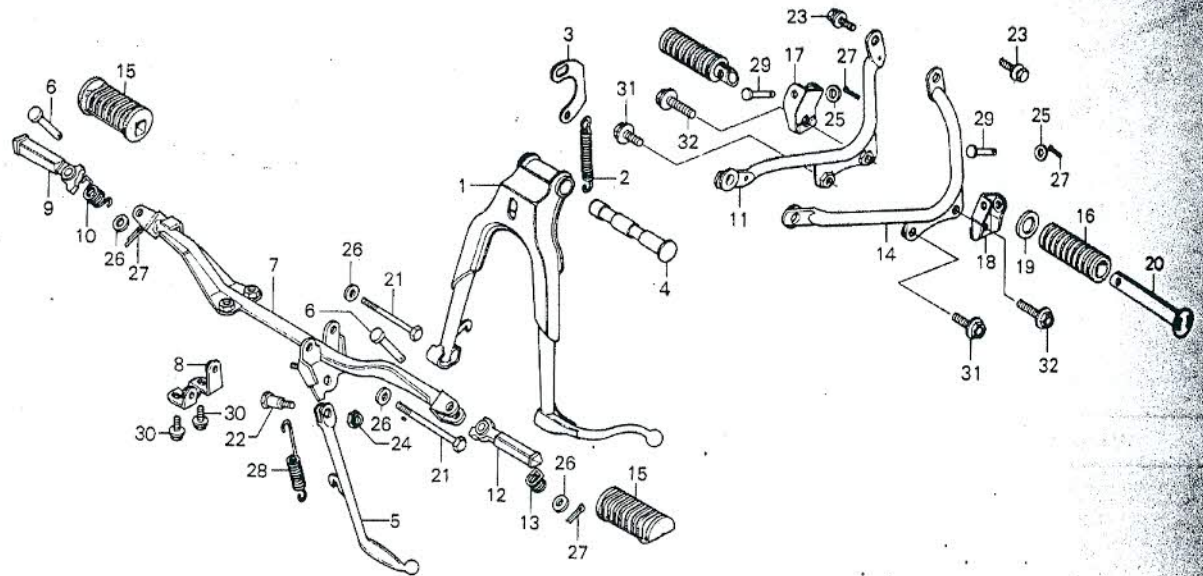
F-17

Step • Stand

Repose pieds • Bequille

Tritt • Ständer

Estribo • Estante



B418-11

Service item	F.R.T.	Ref. No.	Part No.	Description	Reqd. No.		Serial No.	Area code
					CD 125T	CD 185T		
STAND COMP., MAIN	0.5	1	50500-402-000ZA	STAND COMP., MAIN *NH-1*	1	1		
SHAFT, MAIN STAND PIVOT		2	50522-402-000	SPRING, MAIN STAND	1	1		
SPRING, MAIN STAND	0.2	3	50523-107-000	HOOK, MAIN STAND SPRING	1	1		
HOOK, MAIN STAND SPRING		4	50526-399-000	SHAFT, MAIN STAND PIVOT	1	1		
BAR, SIDE STAND	0.4	5	50530-402-000	BAR, SIDE STAND	1	1		
BAR COMP., STEP		6	50603-033-000	PIN, STEP BAR JOINT	2	2		
PIPE, R. PILLION STEP	0.1	7	50610-418-630ZA	BAR COMP., STEP *NH-1*		1		E2
ARM COMP., STEP			50610-418-710ZA	BAR COMP., STEP *NH-1*		1		DK,DM,E,NR,SA
INC. RELATIVE PART	0.3	8	50612-402-000ZA	STAY, STEP HANGER *NH-1*	1	1		
BAR, PILLION STEP		9	50616-312-010	ARM COMP., R. STEP	1	1		
INC. RELATIVE PART		10	50617-329-000	SPRING, R. STEP RETURN	1	1		